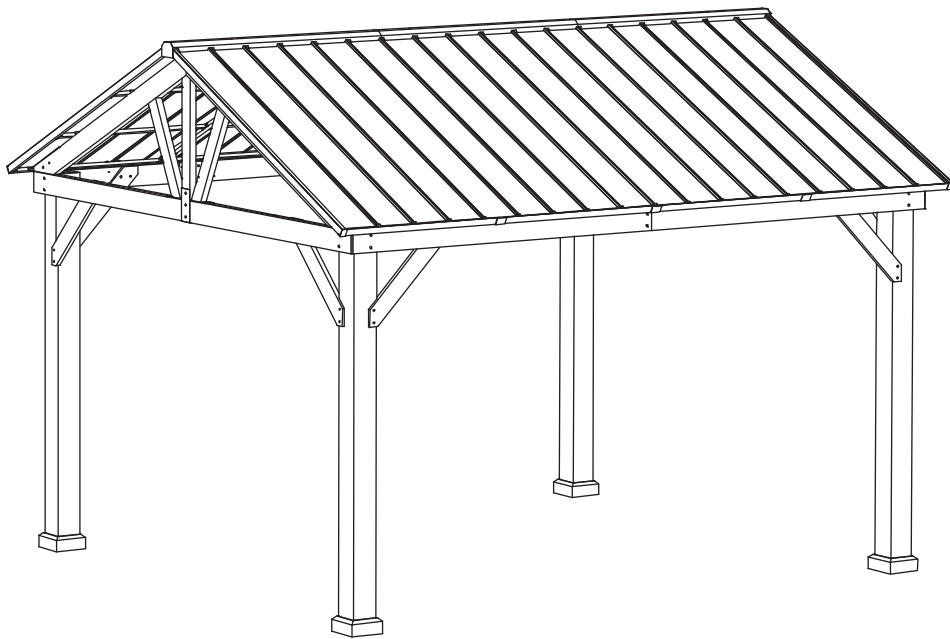


# PAVILLONS & PERGOLAS GAZEBO

| A102008013 |

**DE Aufbauanleitung & Nutzungshinweise**  
**EN Assembly and Safety Instructions**  
**CZ Návod k montáži a bezpečnostní pokyny**  
**SK Návod na inštaláciu a bezpečnostné pokyny**



[www.sunjoyonline.eu](http://www.sunjoyonline.eu)



[helpme@sunjoyonline.eu](mailto:helpme@sunjoyonline.eu)

# EN PAVILLONS, PERGOLAS & GAZEBOS

## IMPORTANT

Before you start assembling the product, read the instructions carefully. Follow the order of the steps as shown in the assembly instructions. Keep the instructions in a safe place for later reference.

## SAFETY INSTRUCTIONS

- Please follow safety instructions listed below and keep them for later use.
- Before assembling or using the product, remove the packaging material or keep it to store the product for the winter.
- This product should only be used in a non-commercial manner.
- For safety reasons, we recommend that a minimum of two people assemble the product. Keep children away.
- Warning - Keep plastic bags and small spare parts out of the reach of children. Thin film may stick to nose and mouth and prevent breathing. Danger of suffocation.
- Some parts have metal edges, so wear protective gloves during assembly.
- The product should be mounted on a solid base, preferably on concrete footings or in paving. This will prevent wind damage or damage to other property or health. If the product cannot be securely and firmly attached, it must be dismantled and stored before the wind arrives.
- Do not climb or stand on the roof of the product. Do not hang or support heavy objects on the structure. The product may collapse.
- The product has not been tested for wind and snow loads. These loads are therefore not covered by the warranty. Watch the weather forecast to properly protect or disassemble the product in a timely manner and store.
- The product with a fabric roof must be dismantled and stored before winter (snow) arrives. Especially large amounts of snow could damage the roof.
- Keep the roof and eaves free of snow, dirt and leaves.
- Products should only be used temporarily and dismantled in adverse weather conditions.
- Make sure you keep a sufficient distance from houses and power lines to avoid possible damage.
- When using suitable heaters, keep them at a minimum distance of 1.2 m from the fabric. Under no circumstances should open flames or open flame heaters such as patio heaters, gas heaters, etc. be used inside the product.
- The manufacturer is not liable for any damages resulting from failure to follow these instructions and recommendations.

## ASSEMBLY, DISASSEMBLY

**CAUTION: Be careful not to injure anyone during assembly, especially when lifting heavy parts.**

Remove the individual parts and check them against the parts list shown to see if anything is missing. Resolve any differences with the seller immediately.

The person in charge of the construction of the product is responsible for ensuring that it is sufficiently secured to ensure safety. Keep checking the fixing afterwards to ensure that it has not been damaged. Stable anchoring can extend the life of the product.

Please allow extra time for the initial installation of the product. It should be assembled by at least two adults. Select a flat and level surface suitable for the assembly of the product and its intended use. The fabric should not come into contact with any objects with sharp edges. The screws connecting the tubes to the connectors must be tightened by hand using a hex key or an automatic screwdriver set to a maximum level of 2 to prevent damage to the parts.

Metal parts are coated with a thin layer of preservative oil. Some parts may have more lubricant than normal. In this case, use a cloth to remove the excess oil.

For your own safety, wear a helmet, gloves, and sturdy shoes. Metal parts could have sharp edges and possibly be greasy.

Make sure that there is no permanent snow load. It should be removed immediately. The same applies to rain and other forms of load. The product can be used at temperatures close to zero. However, storage of the product must be at a temperature of at least 10 °C. If necessary, allow the fabric to warm up at a temperature above 10 °C for a sufficient time before folding so that it does not break during folding.

Each country has different regulations for mobile structures (gazebos) and non-mobile structures. Ask your local authorities if you need to obtain a permit to erect the product. In some countries this depends on its size.

Observe the order of assembly of the individual parts. We recommend covering the mounting surface with a soft surface to prevent scratching or damaging the parts.

Disassembly should be carried out in the reverse order of the assembly procedure.

## **CARE AND STORAGE INSTRUCTIONS**

Any kinds of damages due to acts of nature (weather damage) are not covered.

The product should be checked from time to time. Tighten and secure all fasteners of the structure to ensure that they have not become loose. It is important to know that increased play in the connections causes excessive stress on some parts and can lead to damage. Similarly, check the fixings to the ground. Continually check the condition of the structure to ensure that it has not been damaged by the weather. Damaged parts must be replaced immediately.

Use a mild cleaning solution to clean the roof and rinse it with clean water. Do not use any aggressive agents or abrasives.

Heavy or abrupt rain can lead to water pockets forming on the roof. These should be removed as soon as possible. Do not leave the product unattended for long periods of time.

Exposure to sunlight can cause the color of the fabric to fade. This has no effect on the usability of the product and is not considered a product defect.

If you need spare parts, please contact your dealer.

## **STORAGE (ESPECIALLY FOR WINTER)**

If storage is required, store the dried parts in a dry, well-ventilated place. Do not place any other objects on the fabric during storage. We recommend storing fasteners in a drawstring bag to prevent small parts from being lost in handling. Keep away from children.

## **MATERIAL CARE GUIDELINES**

### **ALUMINUM**

Just keep parts made of aluminum clean with common non-aggressive cleaning agents such as mild detergents, etc.

### **WOOD**

Parts made of wood require some care and attention over its lifetime to ensure a long-lasting beautiful finish. Proper cleaning and maintenance will keep your wood products looking beautiful for a long time. Please follow these guidelines to maintain your wood surfaces.

**Fading and weathering:** Wood is a natural product and is expected to change over time. Long periods of sun exposure can naturally lead to color fading. Weather extremes, temperature fluctuations, and humidity highs/lows cause wood to expand and contract, possibly leading to warping and cracking. Knots and small surface cracks are naturally occurring and do not affect the strength of the product.

**Keeping dry:** Prolonged moisture and high or low humidity can be harmful for wood. Cracking or splitting from extremes outside of the normal humidity range of 35-65% are not covered by our warranty. Preventing prolonged exposure to moisture is advisable.

**Cleaning:** Frequent light cleaning is recommended. Dust regularly using a slightly damp soft cloth, and then wipe dry (following the direction of the wood grain). For more thorough cleaning, use a soft cloth and a gentle soap solution (dilute ¼ cup mild dishwashing liquid soap with 1 gallon of warm water). Rinse with water, and then immediately dry the surfaces using a soft cloth. Do not use bleach, acid, or other solvents on any metal

parts or surfaces. Minor stains or scratches can be lightly buffed with No.0000 steel wool, followed by an application of good quality wood-care oil, wiping in the direction of the grain.

Annual sealing: It is advisable to annually maintain the wooden parts with a sealant or outdoor wax/oil to protect and enhance the wood surfaces. Twice yearly, after cleaning, apply a good quality wood-care oil or water-based sealant to the surfaces. Recommended options are outdoor water-based sealant, linseed, teak, or tung oil. Refer to the manufacturer's specific instructions for application. It is best to try on a small section of wood, then if satisfied with the result, continue the application, taking care to avoid any metal surfaces.

## **DISPOSAL OF THE PRODUCT**

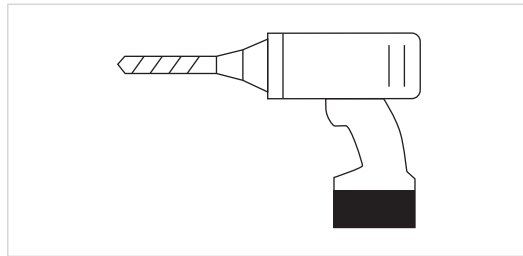
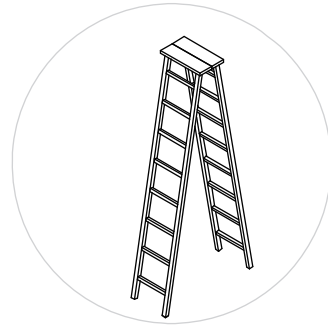
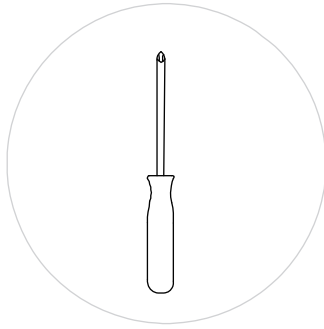
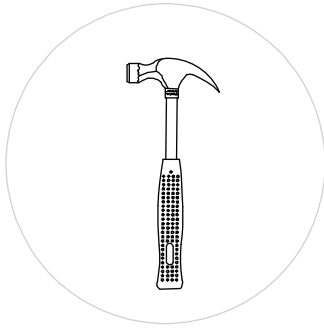


Packaging is made up of materials that can be recycled at municipal collection yards or in collection bins.

If the product becomes unnecessary in the future or you no longer use it, do not throw it away but dispose of it in an environmentally friendly way. Thoroughly empty the fuel tank and take the residue to a designated collection point. Also take the product itself to the appropriate collection/recycling point. This will enable the plastic and metal parts to be separated and recycled. Contact your municipal or city government for information on disposal options.

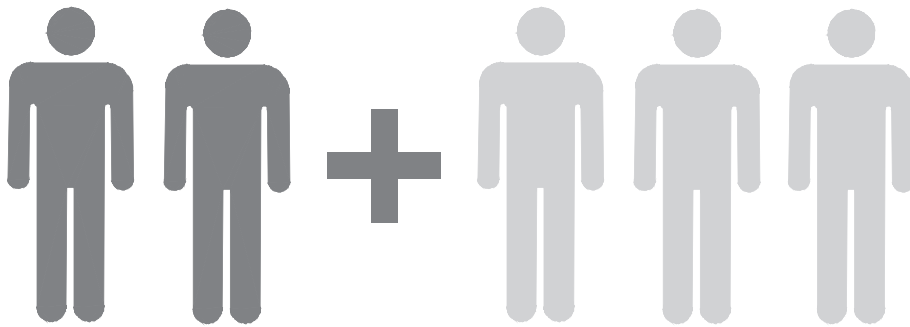
We believe that you will be satisfied with our products, and they will become an integral part of your garden.

## WERKZEUG / TOOLS / NÁŘADÍ / NÁRADIE
















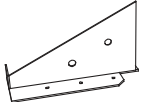
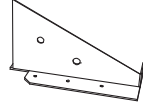

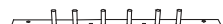






















## WICHTIG / IMPORTANT / DŮLEŽITÉ / DÔLEŽITÉ



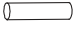
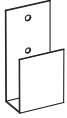


Benötigte Personen für Aufbau / People needed for installation work /  
Lidé potřební pro instalační práce / Ľudia potrební na montážne práce

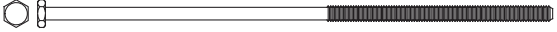
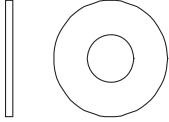
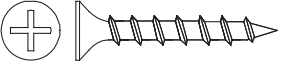

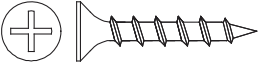
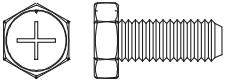
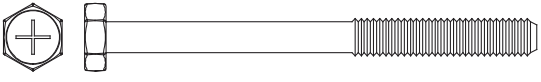
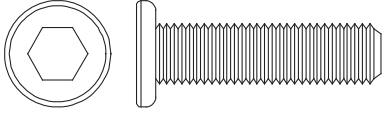
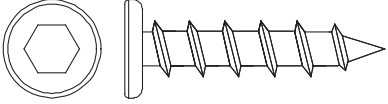


# TEILELISTE / PARTS LIST / KUSOVNÍK / ZOZNAM ČASTÍ

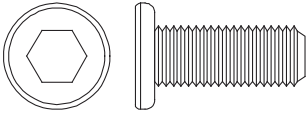
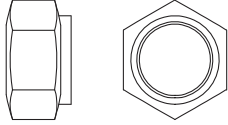
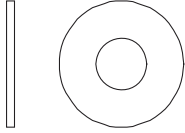
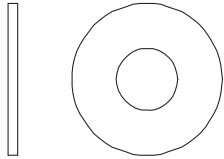
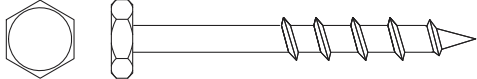
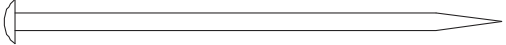
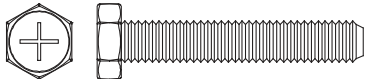


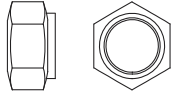

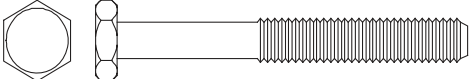




Label	Part Number	Qty	Part Image
02	P000400507	2	
01	P000400506	2	
03	P000400508	2	
04	P000400509	2	
05	P000400510	4	
07	P000400511	4	
06	P000400512	4	
08	P000200227	4	
10	P005000200	4	
11	P005000201	4	
13	P000601456	4	
14	P005000437	2	
15	P005000436	4	
B	P00610017802	4	
C	P00010033902	4	
C1	P00050126802	2	
C2	P00050126902	2	
C3	P00050127002	4	
D	P00050127102	2	

Label	Part Number	Qty	Part Image
C4	P00220023102	2	
F1	P00060148502	1	
F2	P00060148602	1	
G1	P00050126502	1	
G2	P00050126602	1	
G3	P00050126702	1	
H	P00060205703	6	
I	P00050161904	6	
J1	P00500044002	3	
J2	P00500044102	2	
P	P005800001	1	
L1	P00060205803	2	
L2	P00060205903	2	
L3	P00060206003	2	
L4	P00060206103	2	
M1	P00060149202	2	
M2	P00060149302	2	
N	P00060149102	16	
O	P00220022902	8	
P1	P00070103703	12	

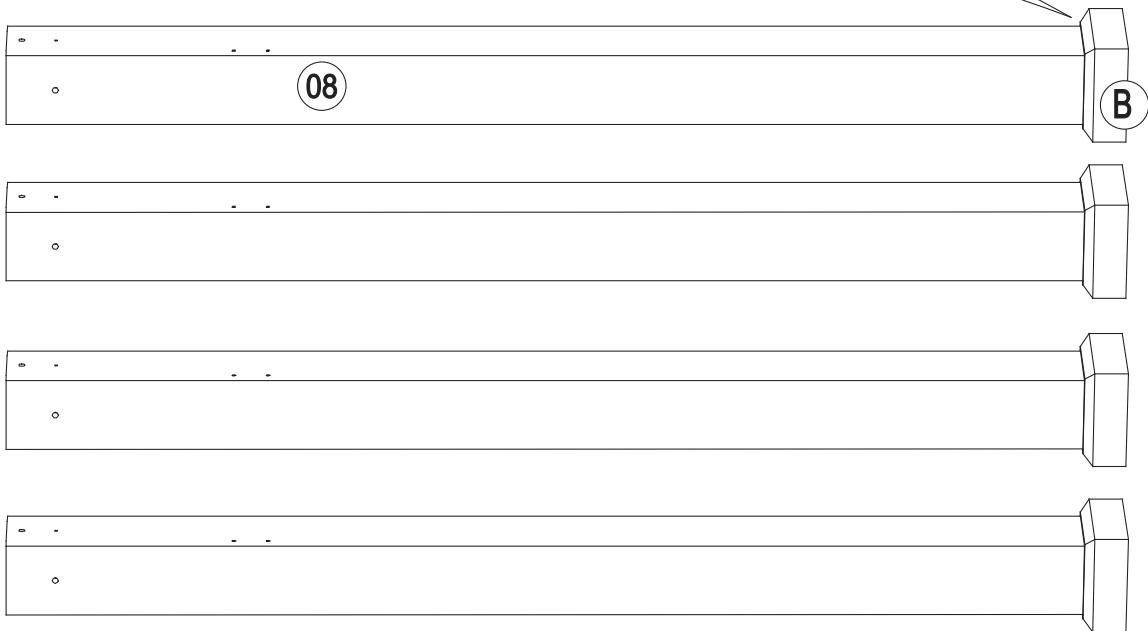
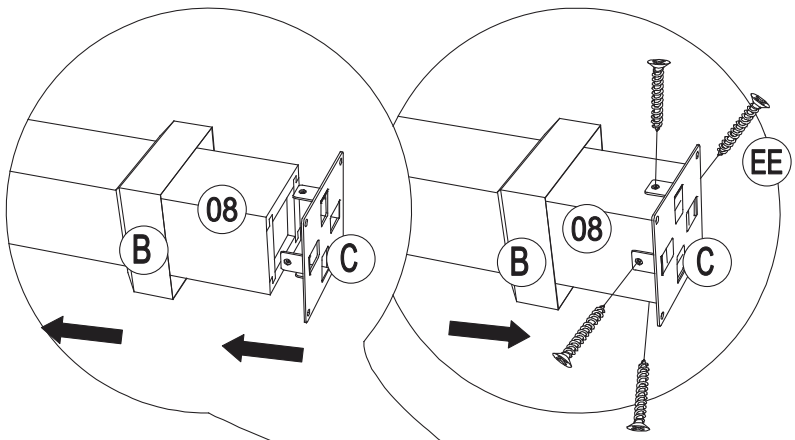
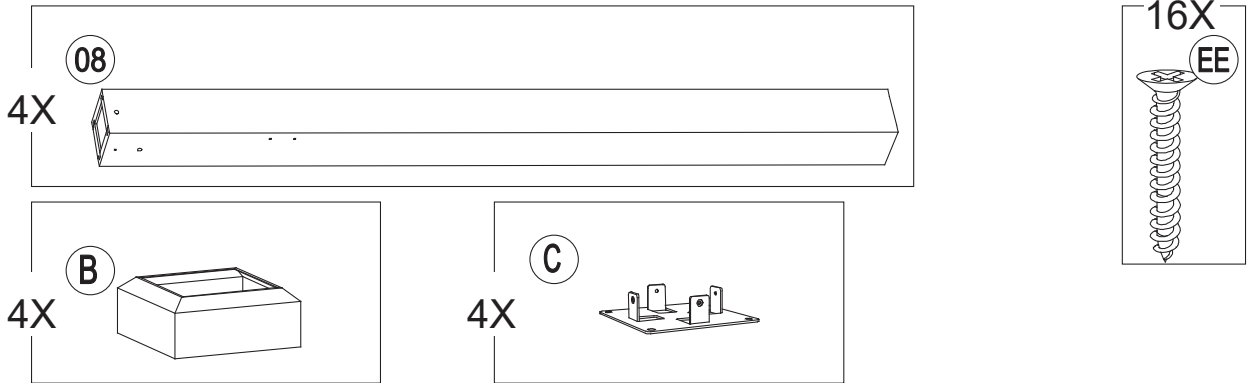
Label	Part Number	Qty	Part Image
R1	P00080025902	2	
R2	P00080026002	1	
S	P005100267	12	
T	P00560032602	2	
U1	P00220034406	10	
U2	P00220038106	2	

Label	Part Number	Description	Qty	Add	Part Image
AA	H010010276	M10*205	8	1	
BB	H050030001	M6	152	8	
CC	H030050057	ST4.8*40	64	4	
DD	H040010004	M6	4	1	
EE	H030050058	ST4.8*30	116	6	
FF	H010020011	M6*15	140	7	
GG	H010020024	M6* 75	4	1	
HH	H010030083	M8*35	16	1	
II	H030030010	ST8*35	18	1	

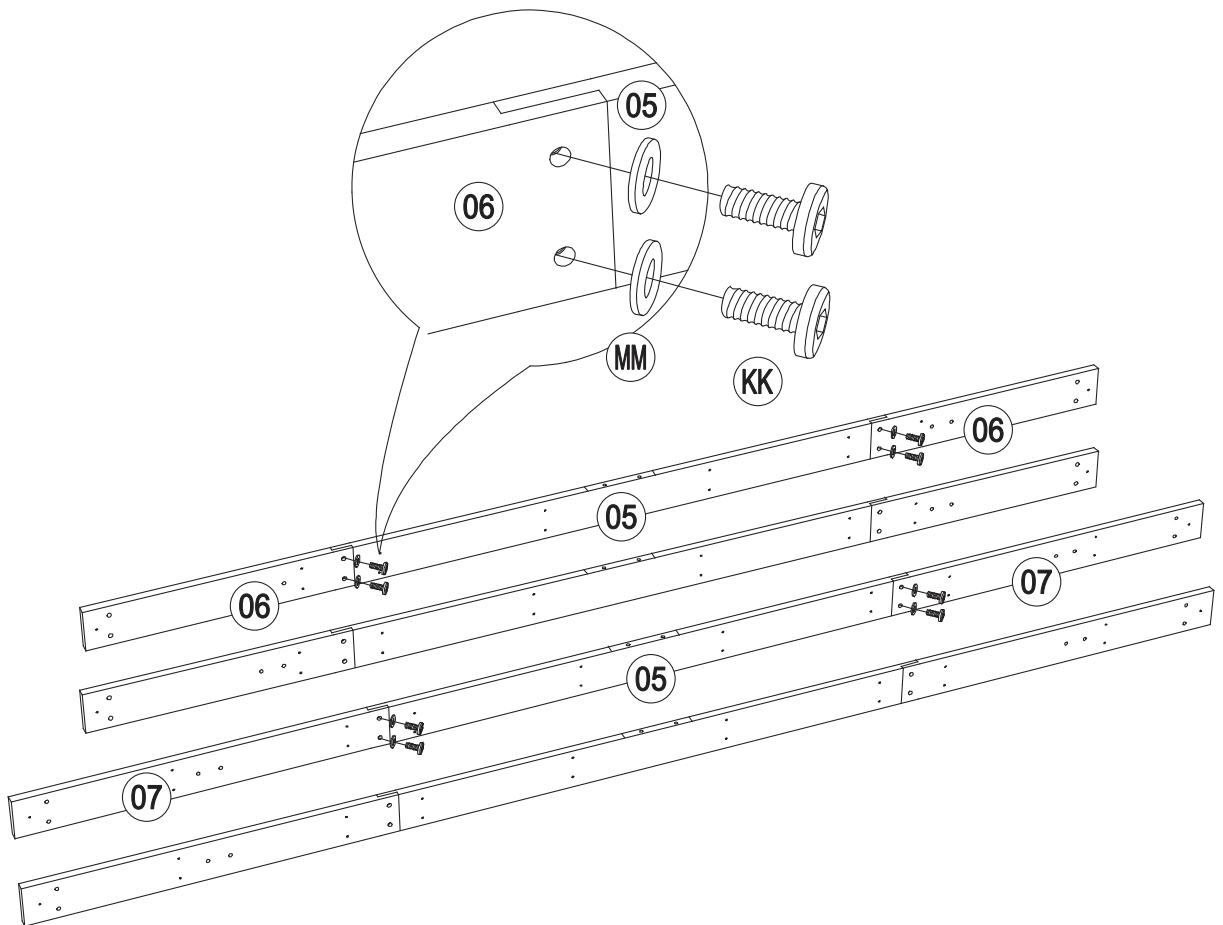
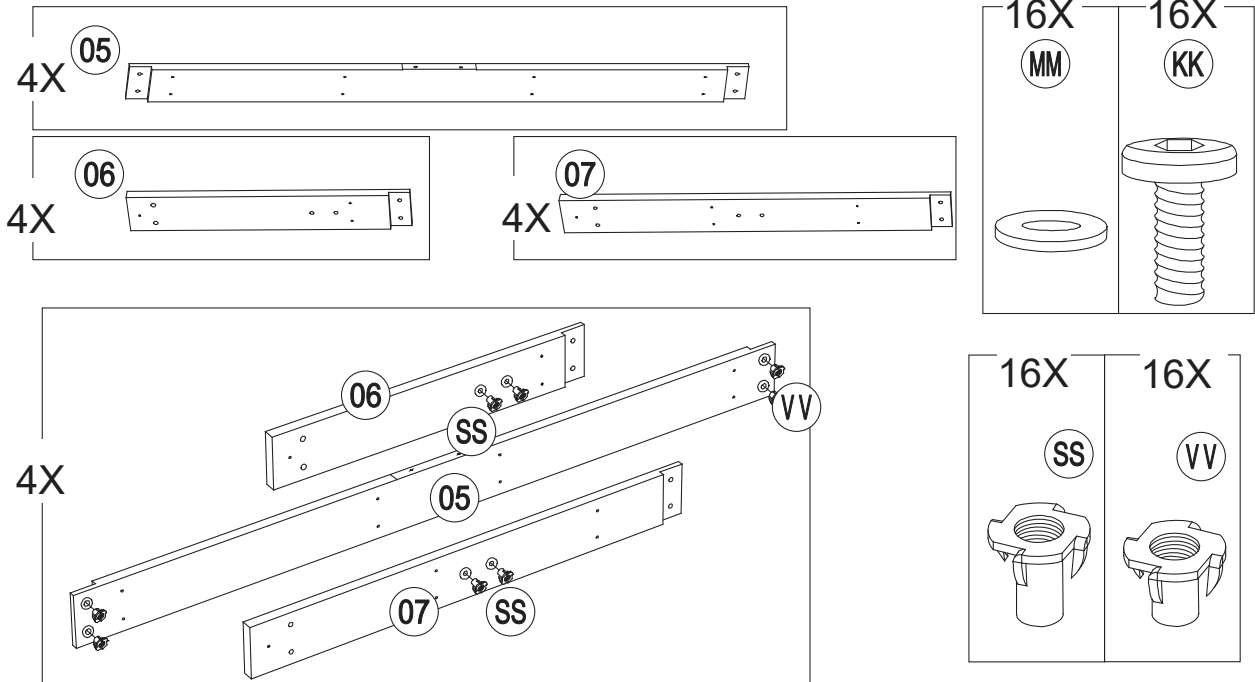


Label	Part Number	Description	Qty	Add	Part Image
KK	H010030084	M8*25	24	2	
LL	H040050020	M10	8	1	
MM	H050030002	M8	78	4	
NN	H050030003	M10	24	2	
OO	H030010031	ST9.5*80	8	1	
PP	H070010003	Φ8*180	8	0	
QQ	H010020013	M6*35	4	1	
RR	H090990002	M3	2	0	
SS	H040090005	M8*20	16	1	
UU	H040050041	M8	10	1	
VV	H040090004	M8*8	24	2	
WW	H010010363	M8*50	10	1	
Z1	H090010017	M6	2	0	
Z2	H090030005	M8	1	0	
Z3	H090010012	M8	2	0	
Z4	H090010015	M10	2	0	

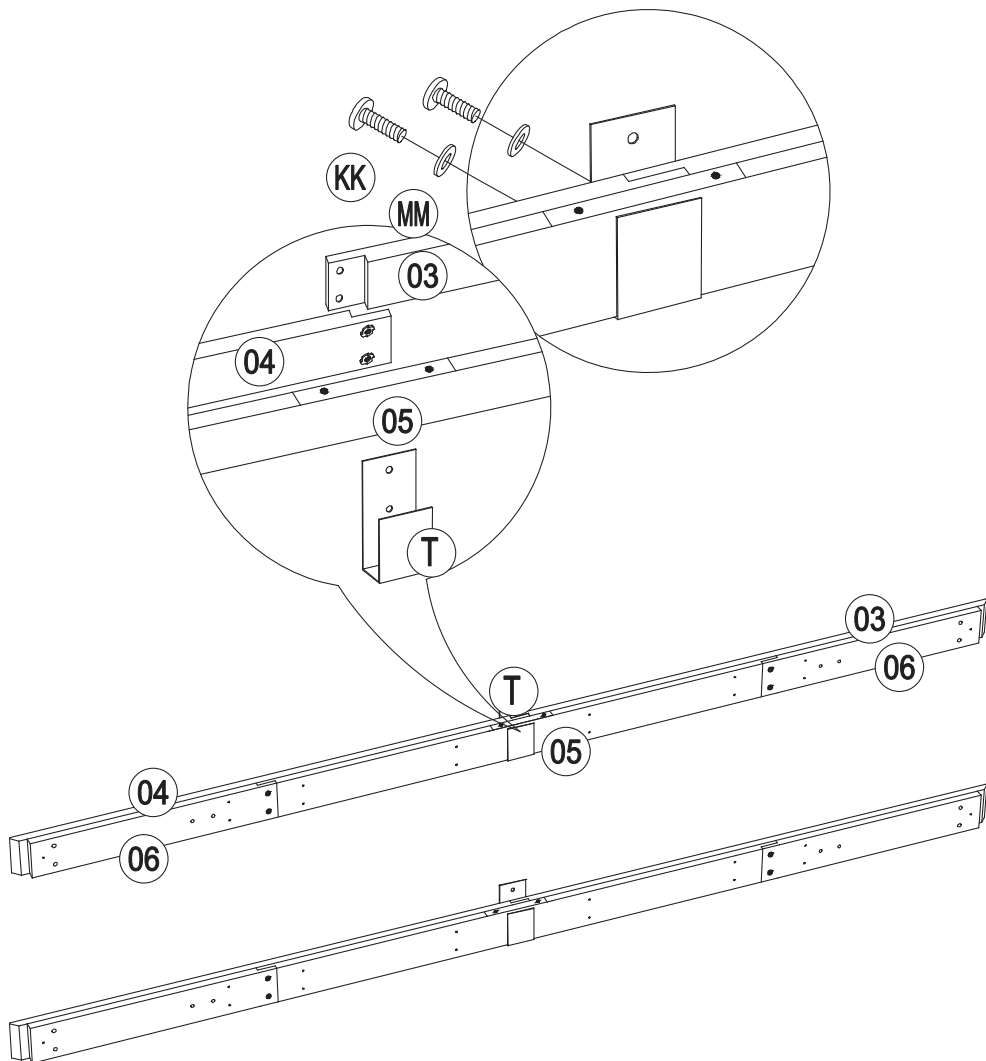
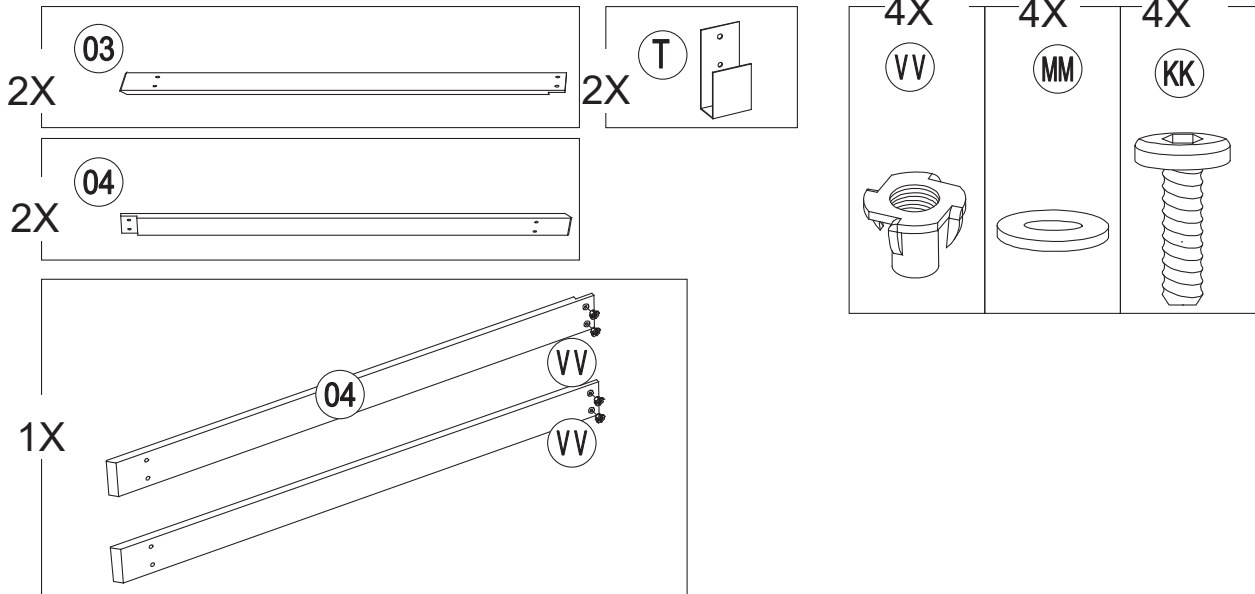
# 1



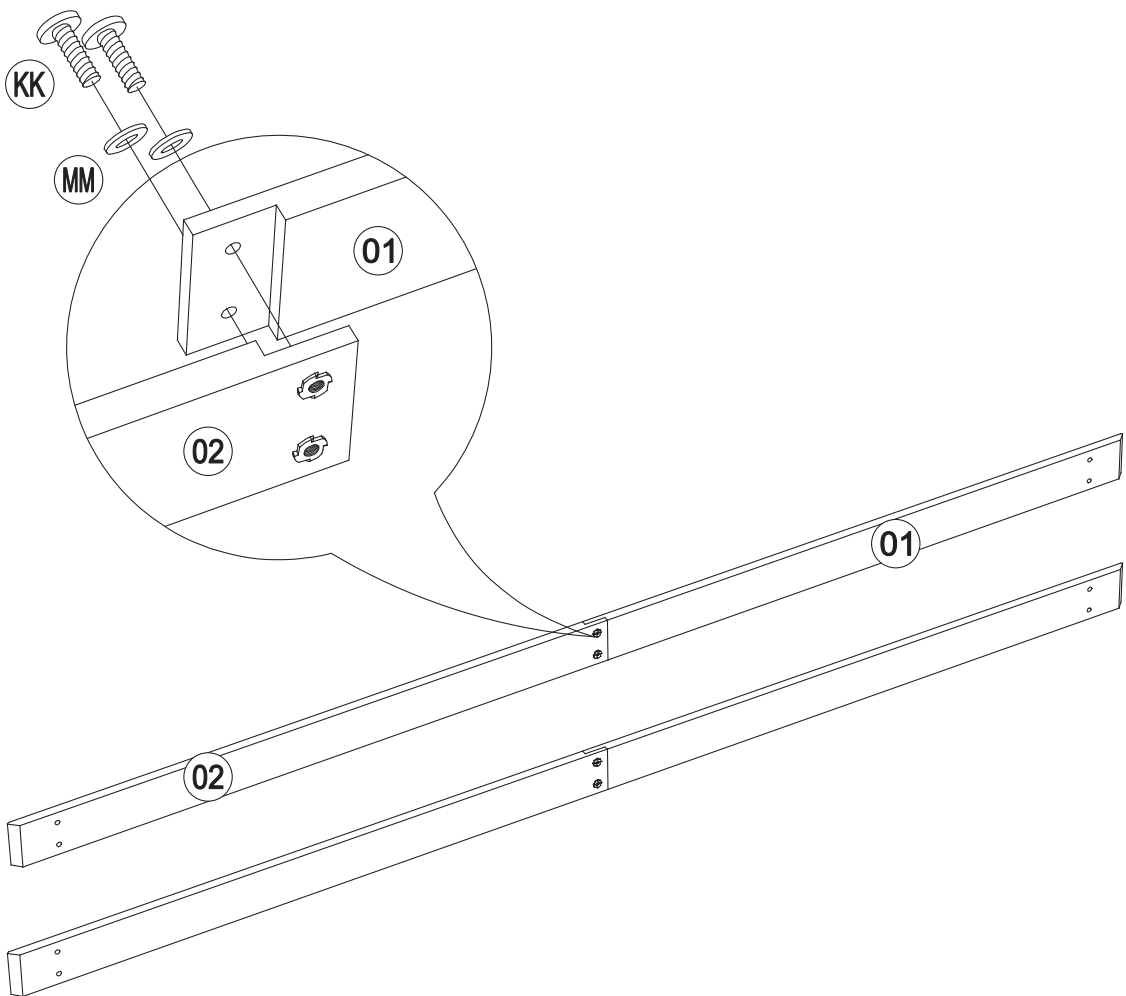
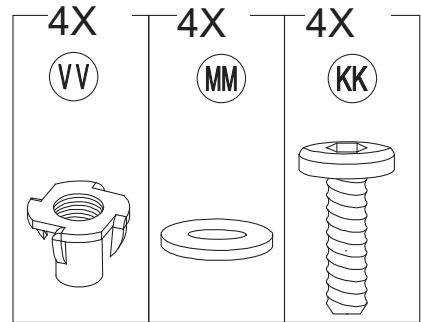
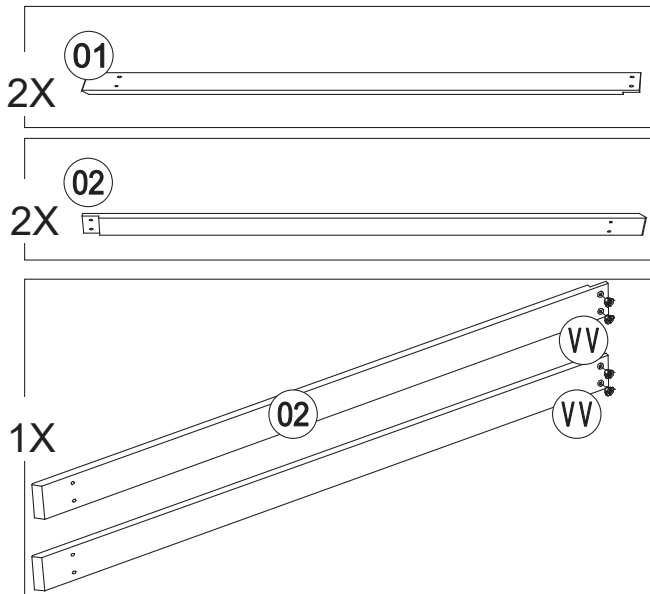
# 2

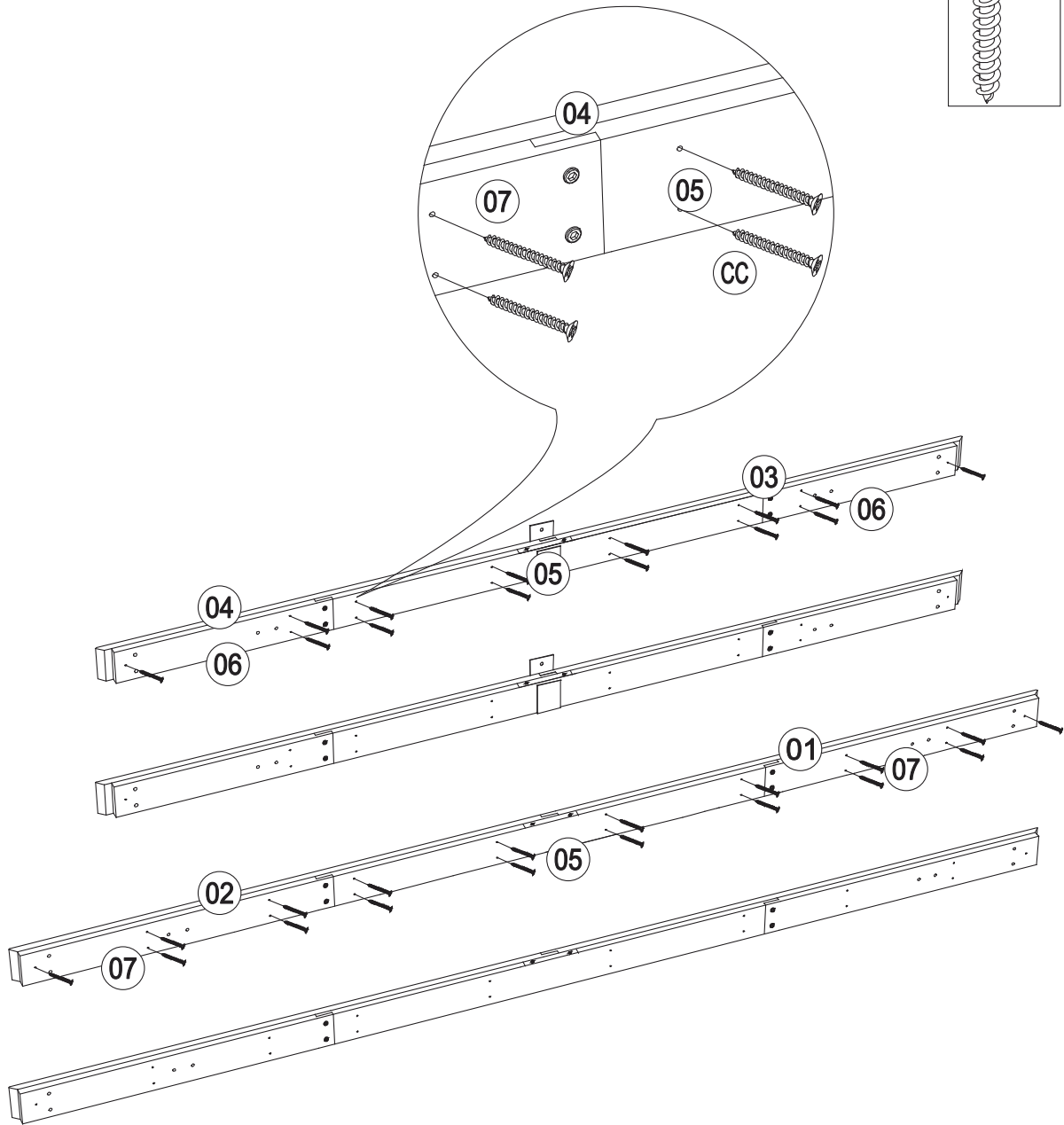
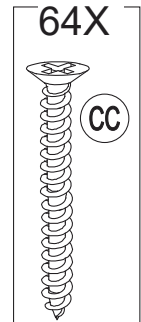


# 3

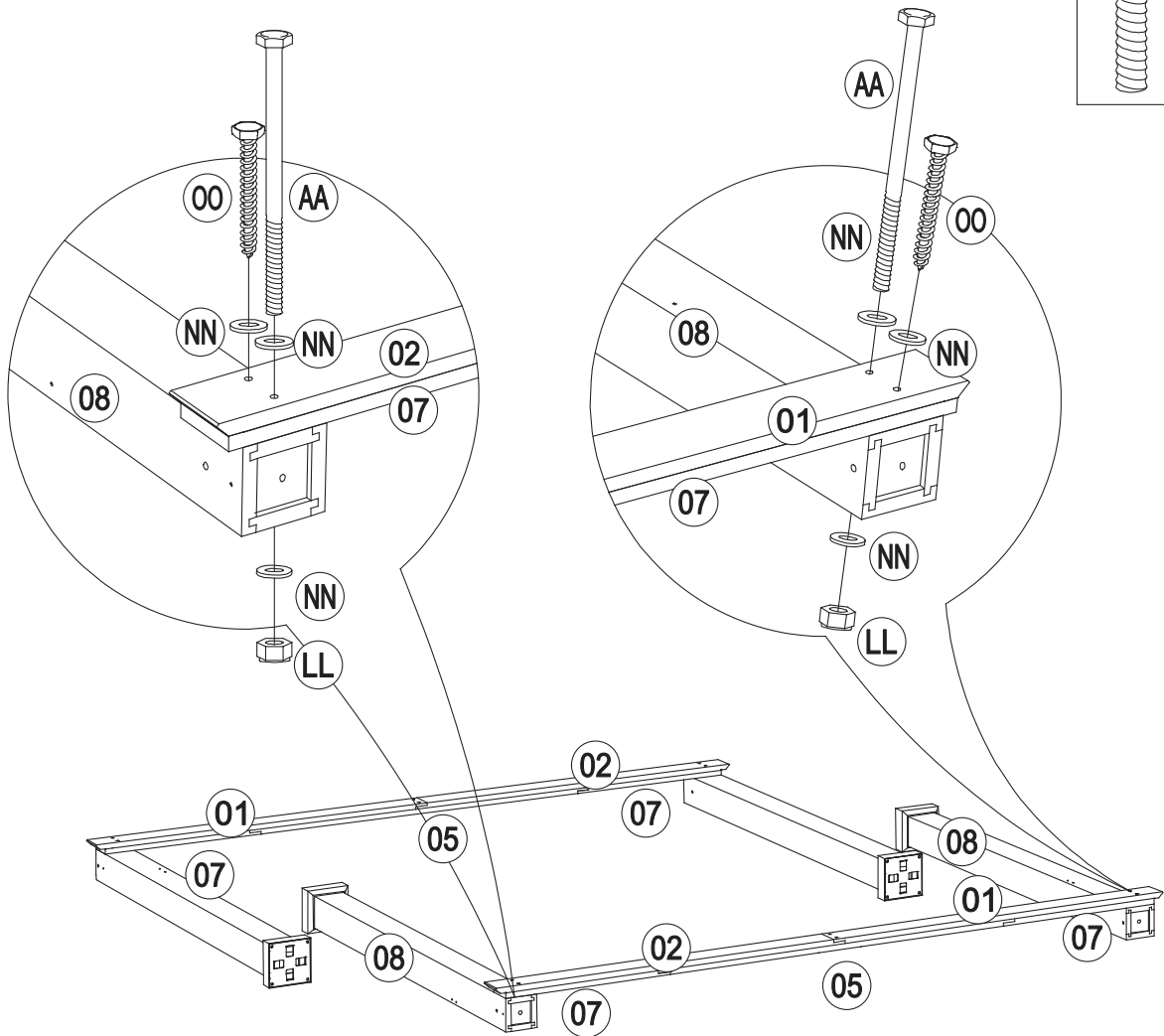
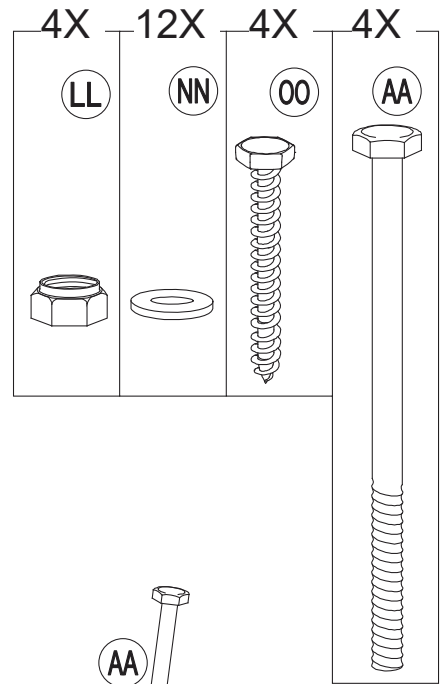


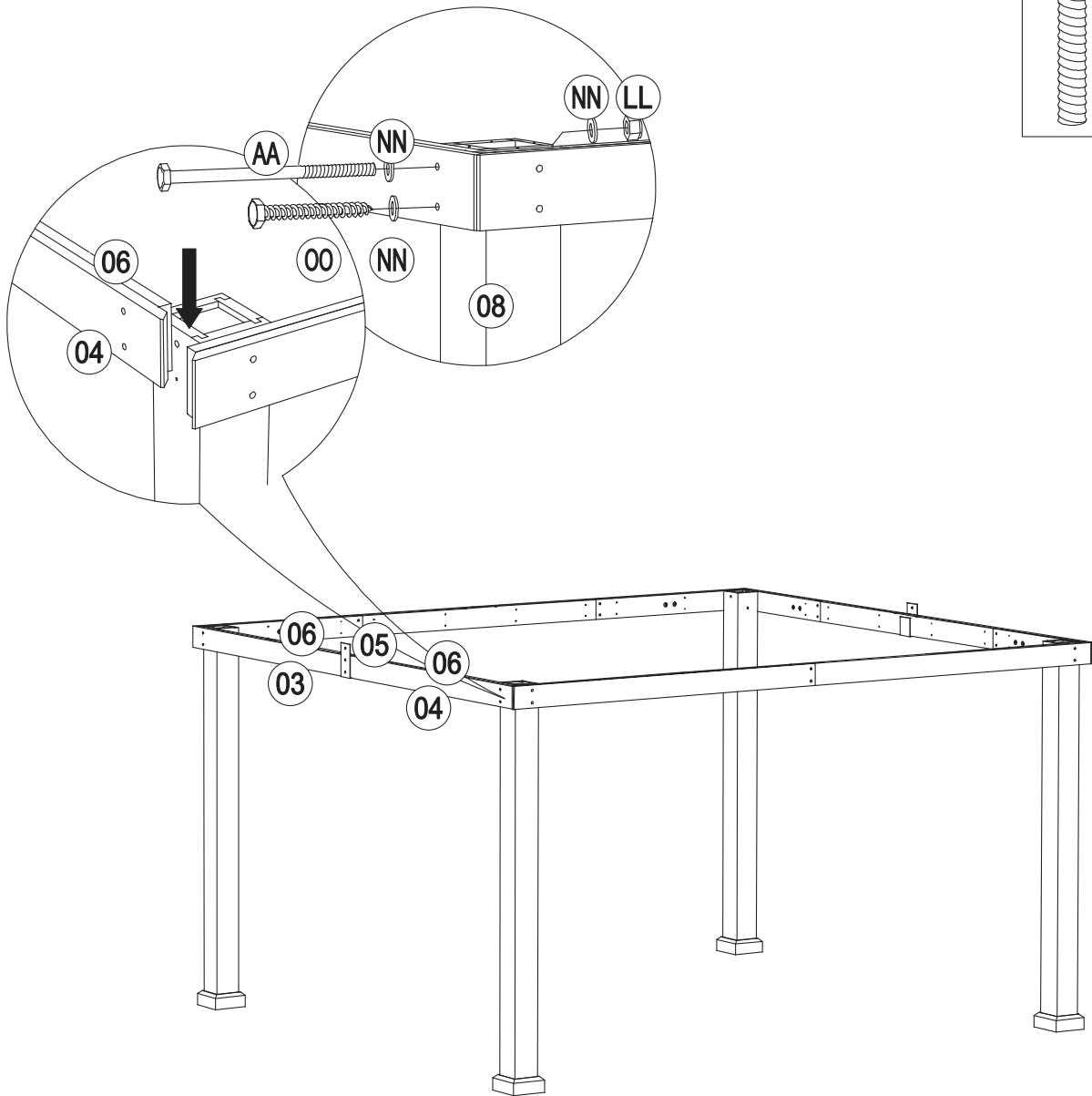
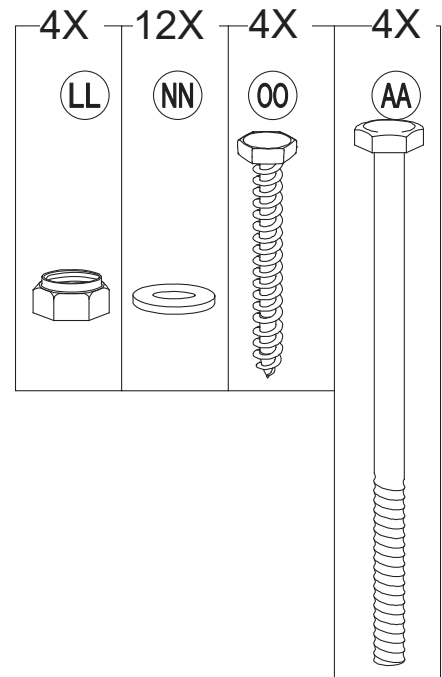
# 4



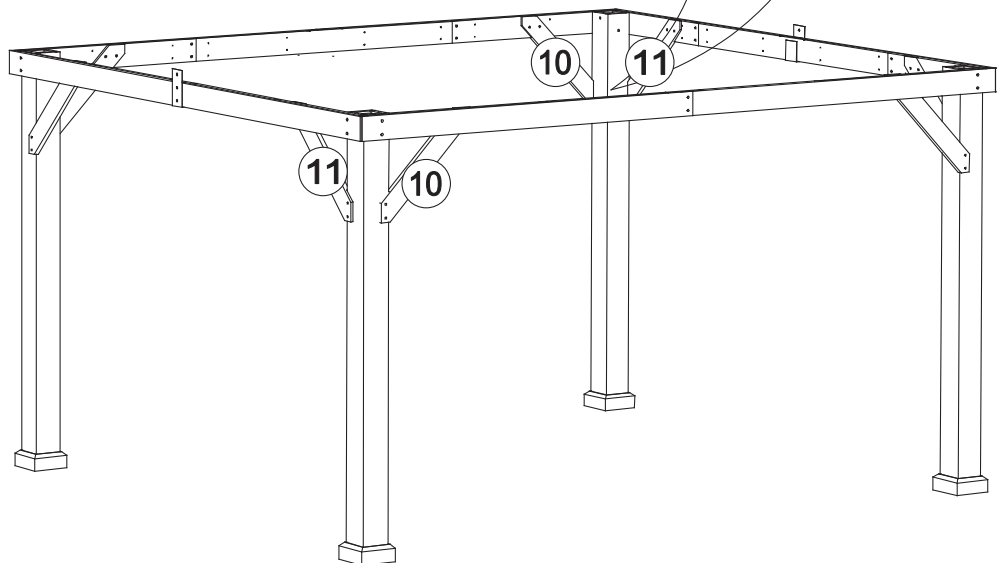
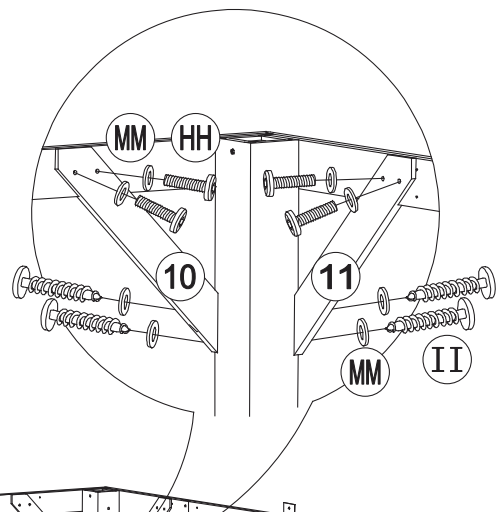
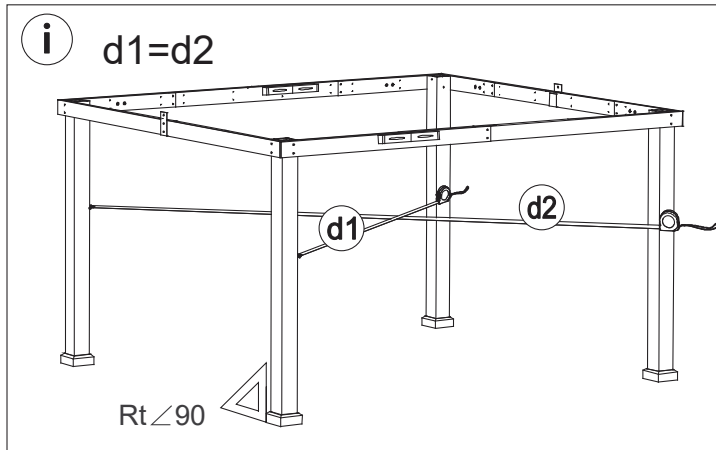
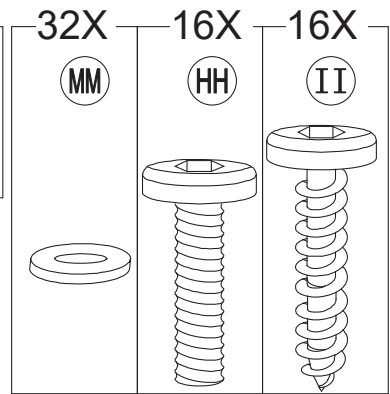
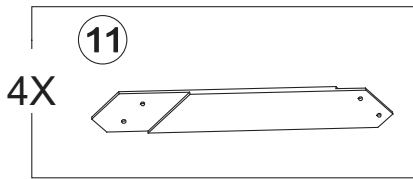
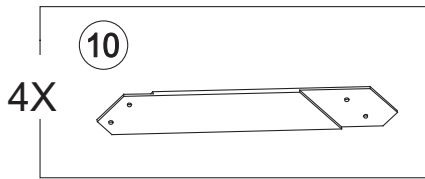


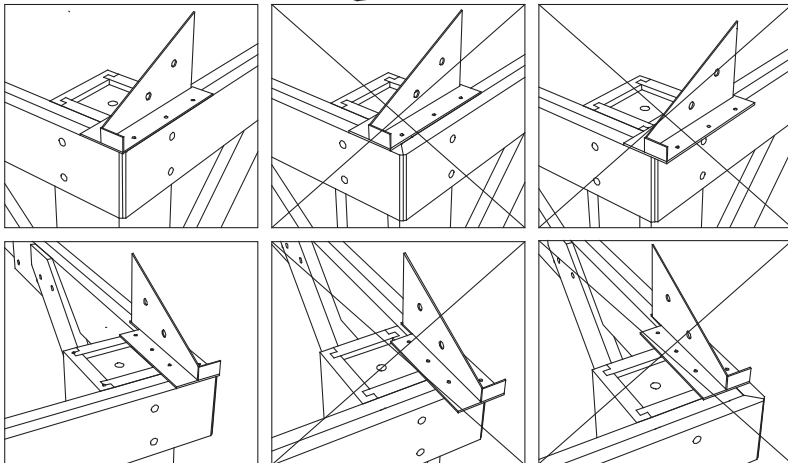
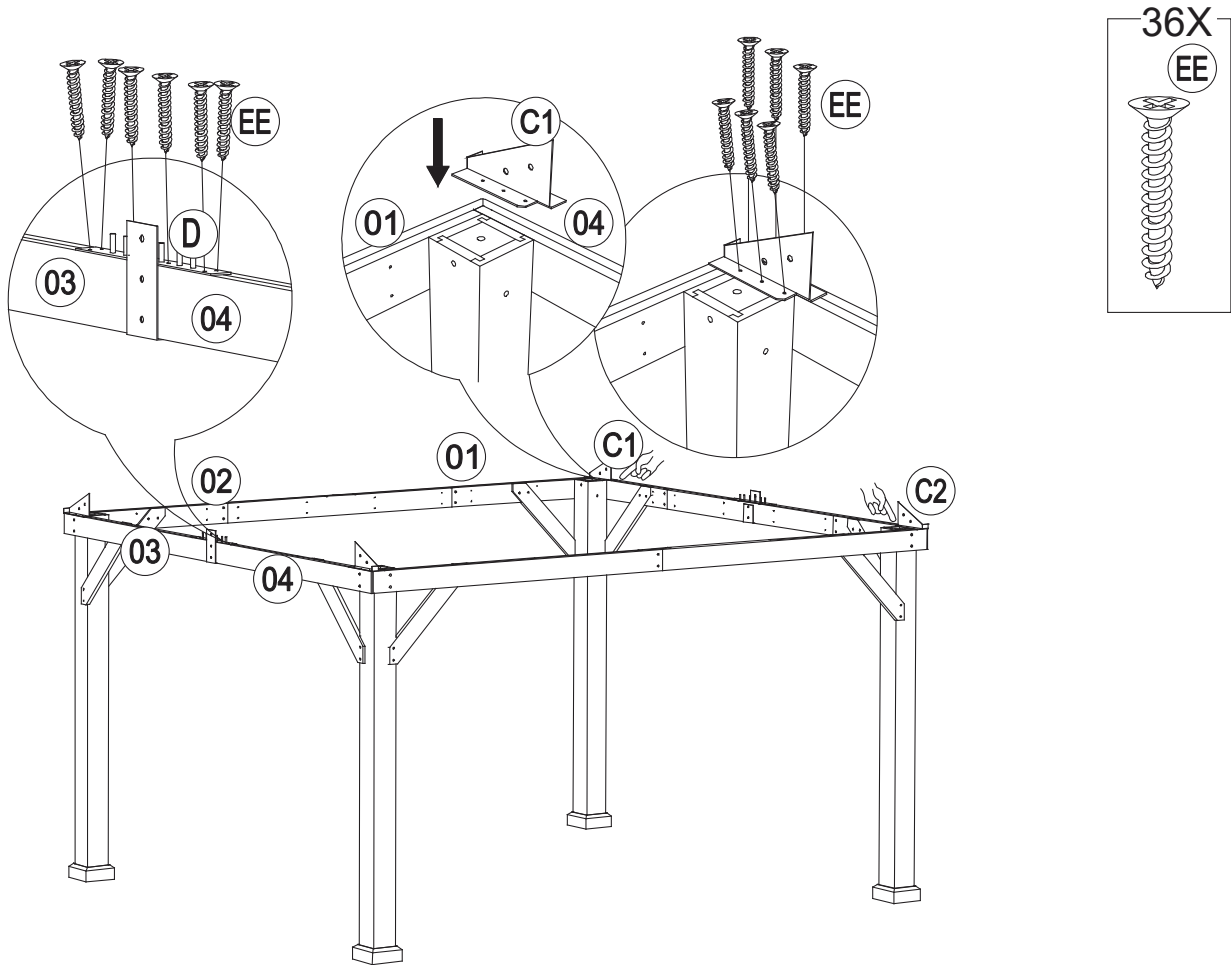
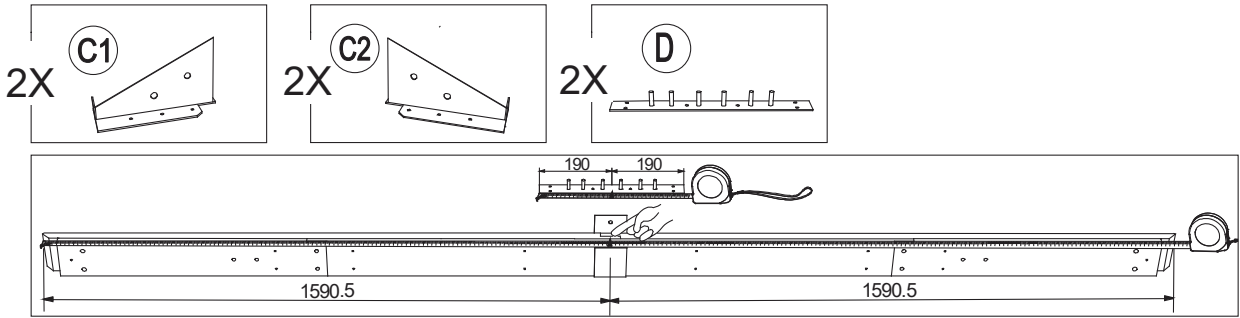
# 6



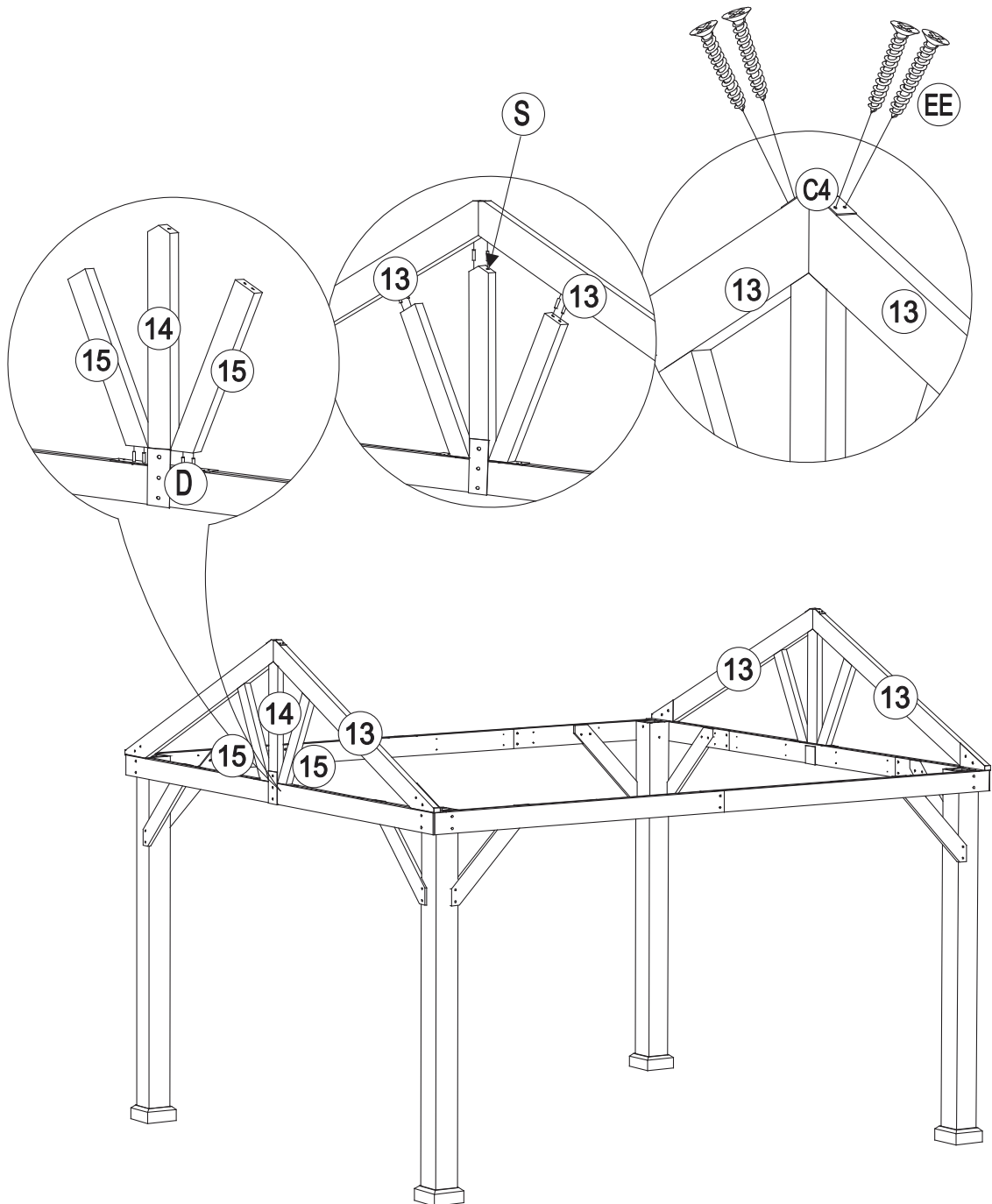
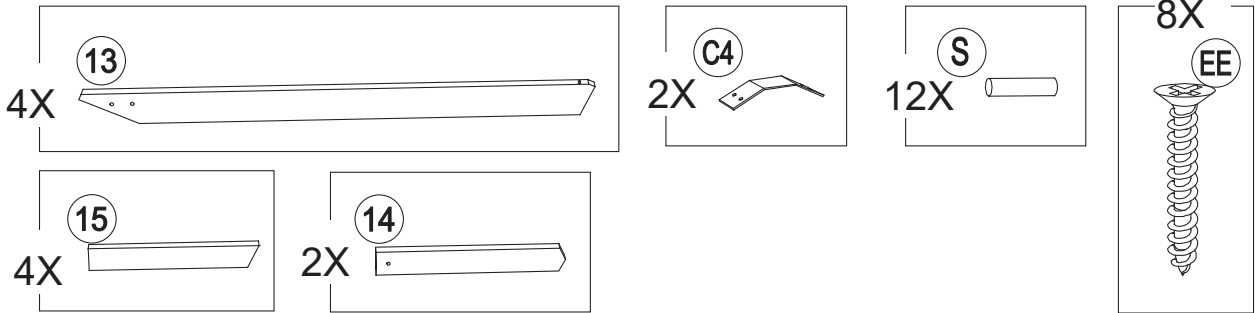


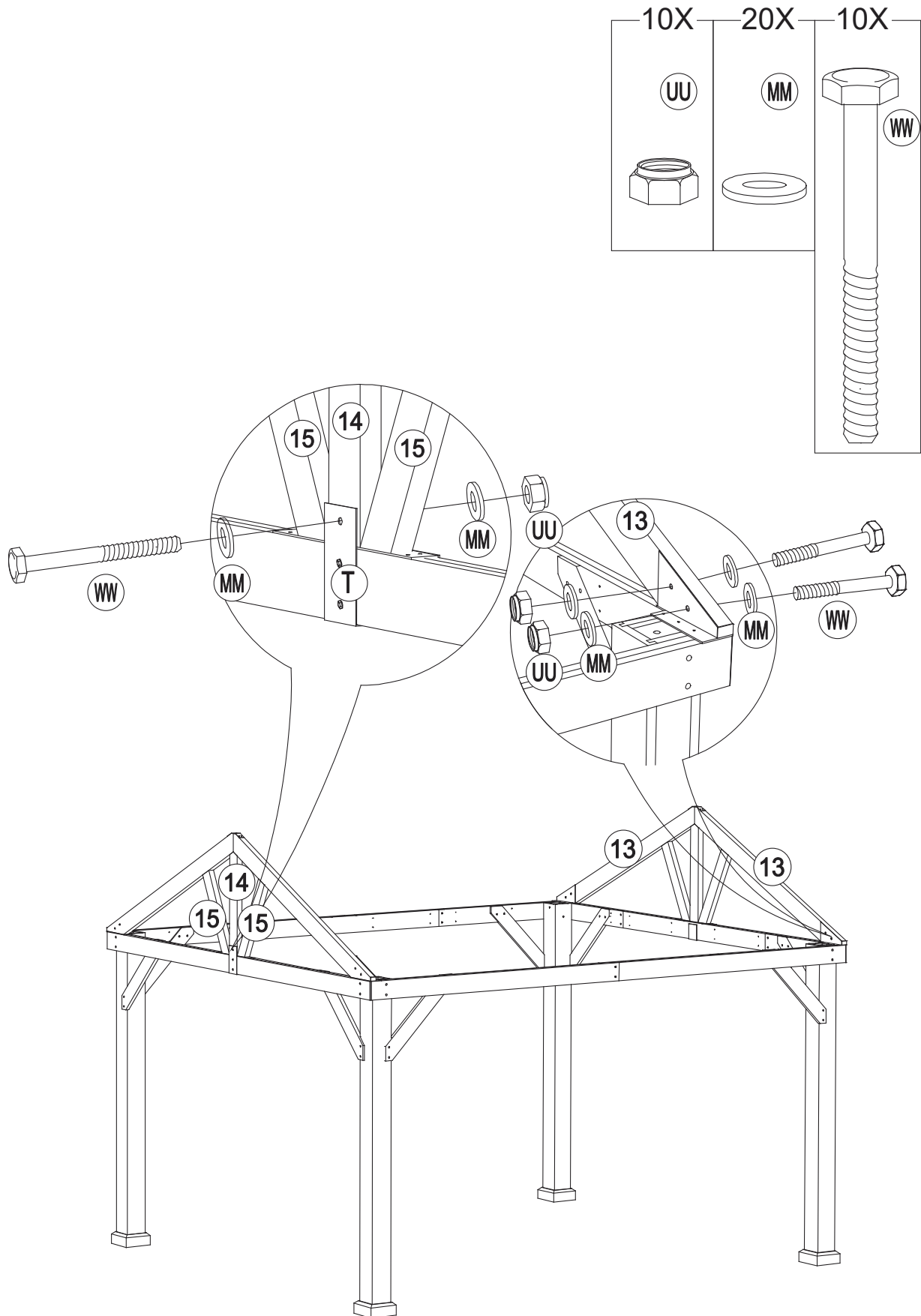




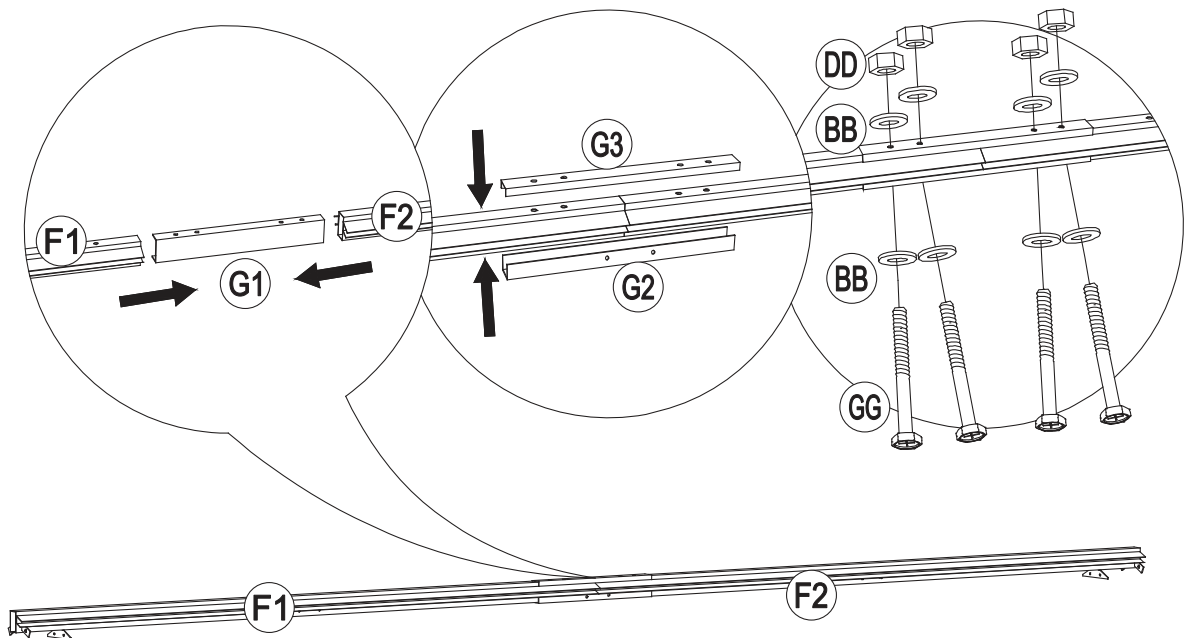
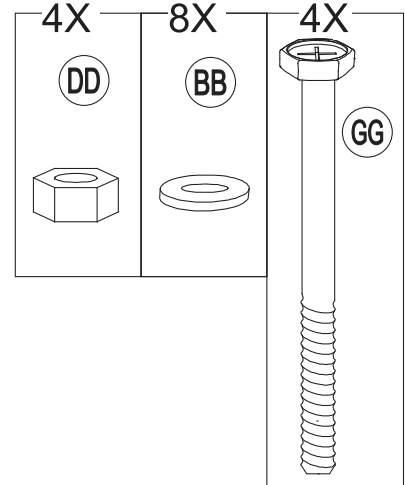
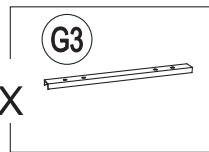
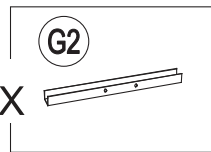
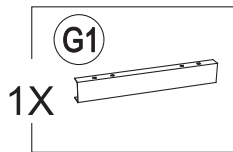
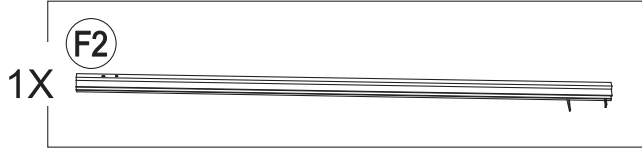
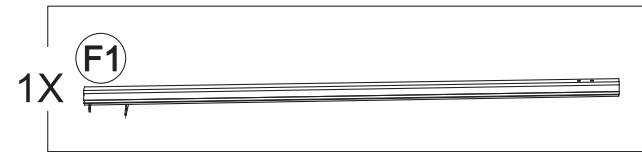


# 10

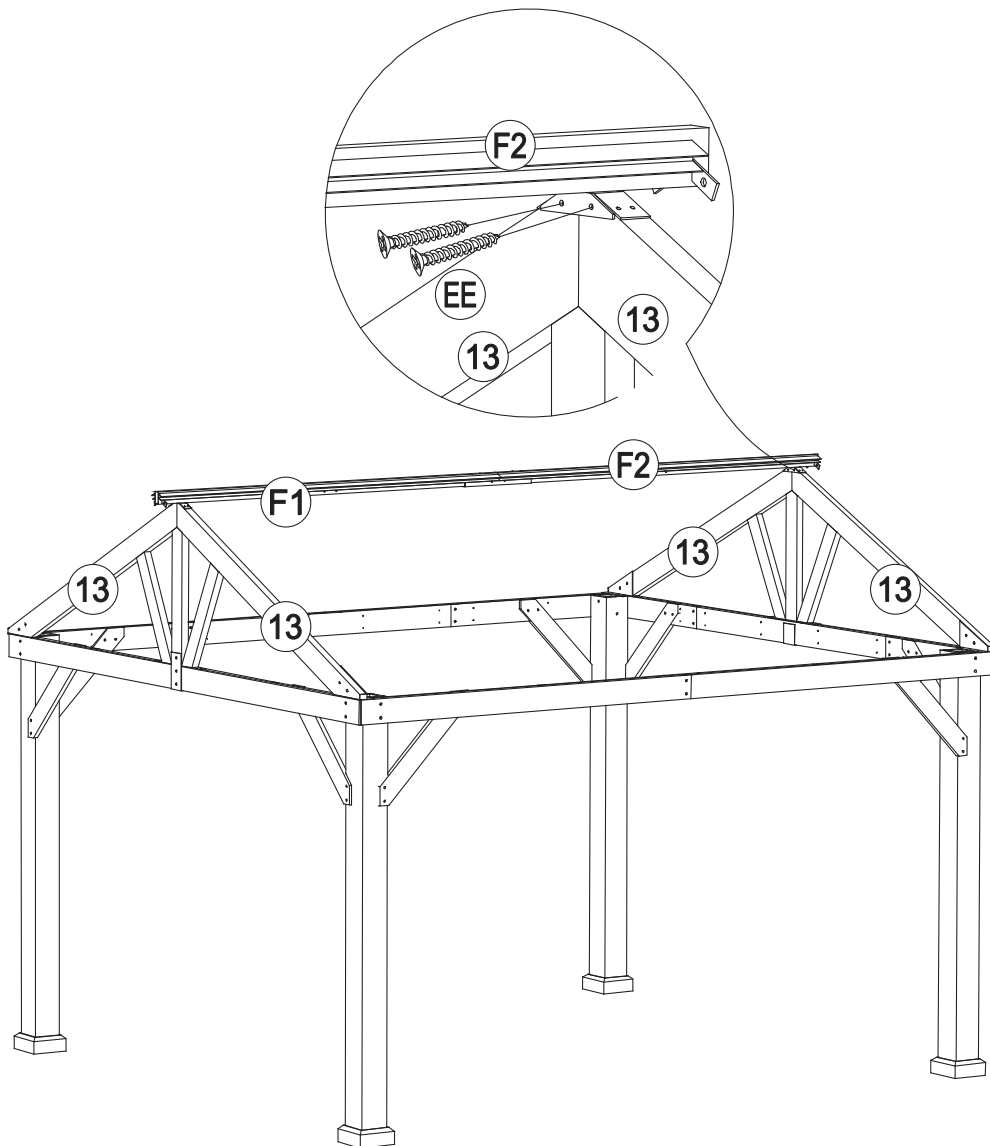
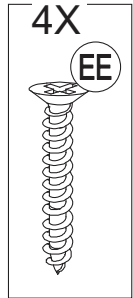
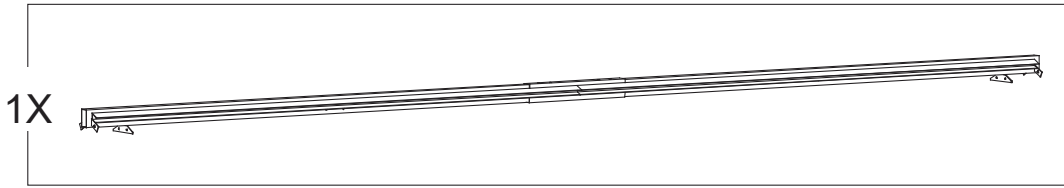


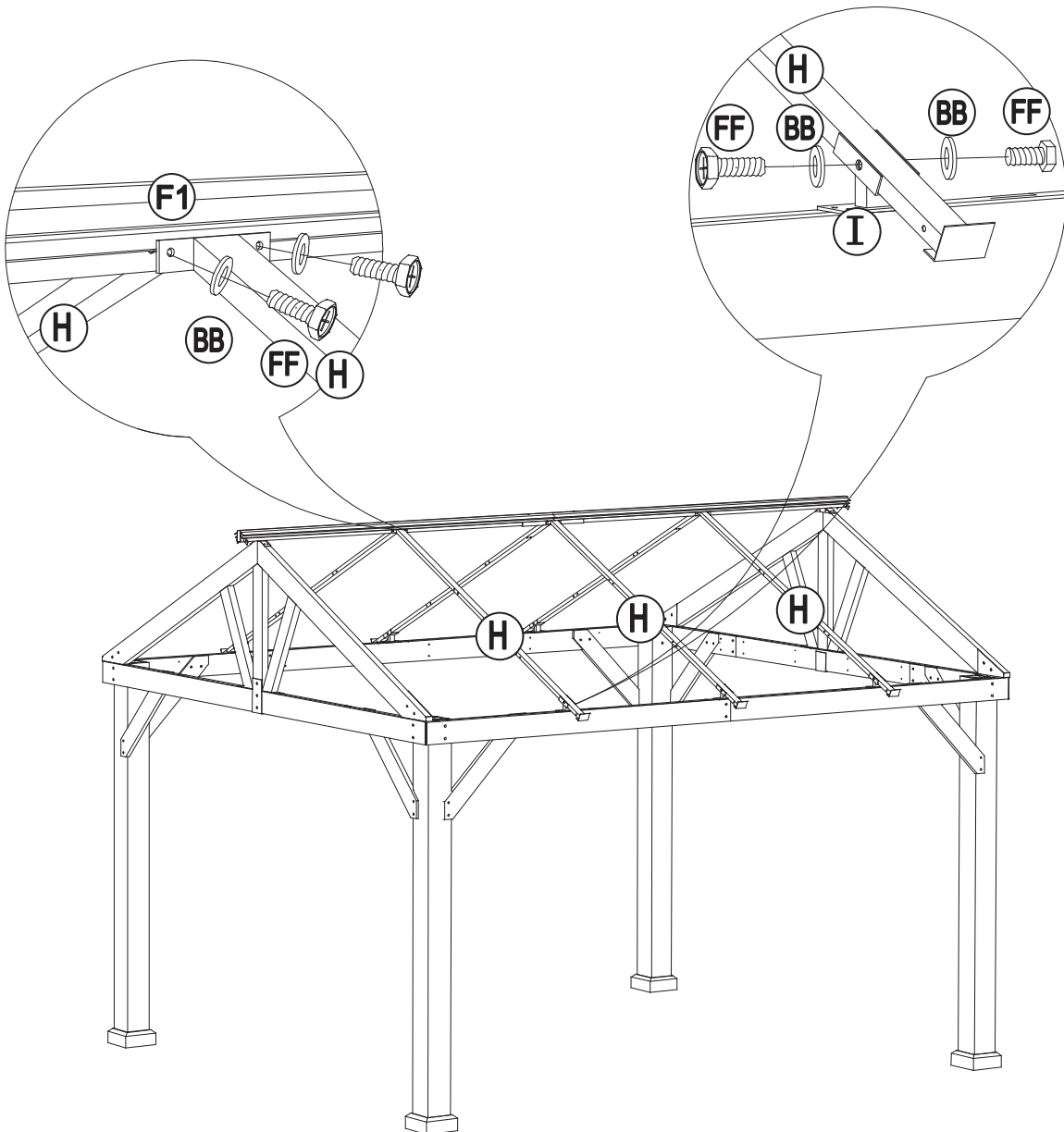
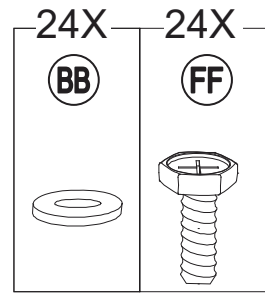
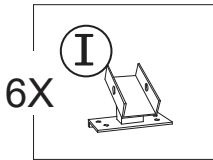
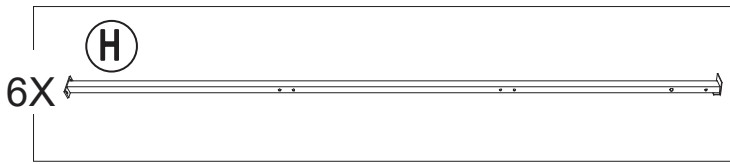


# 12

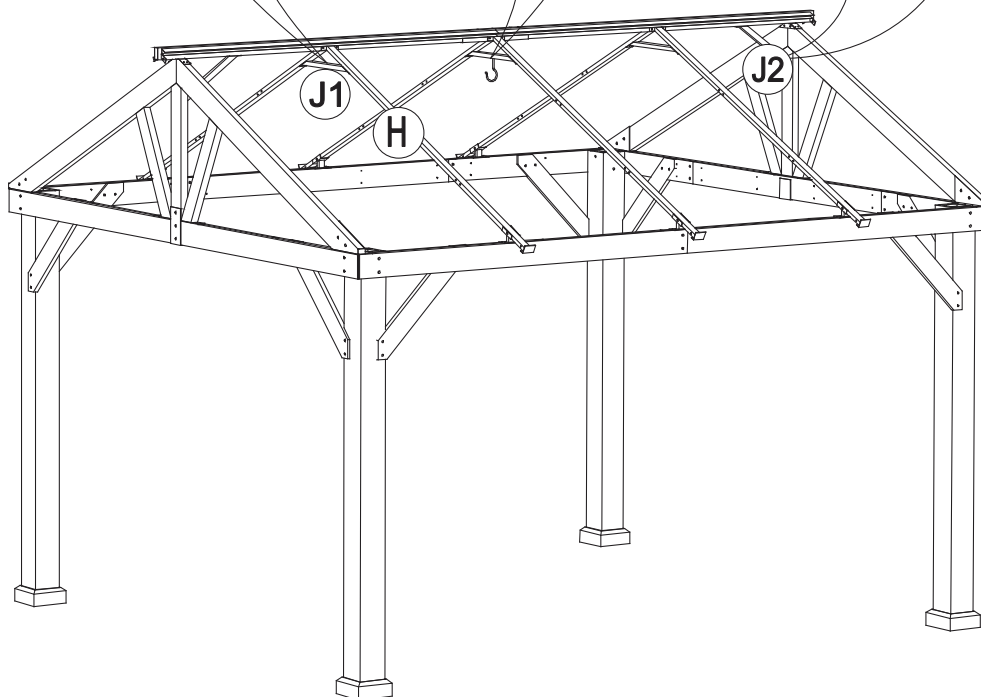
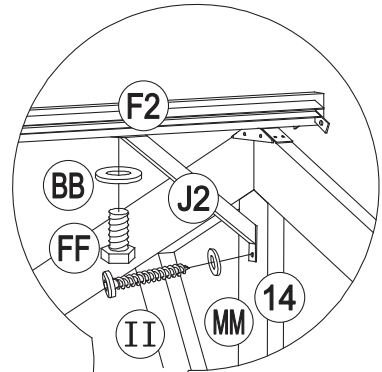
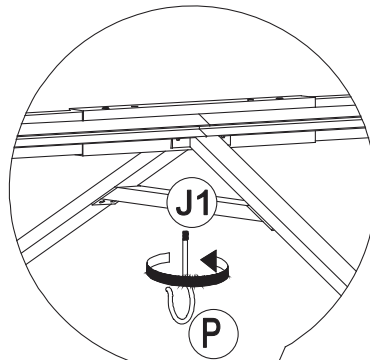
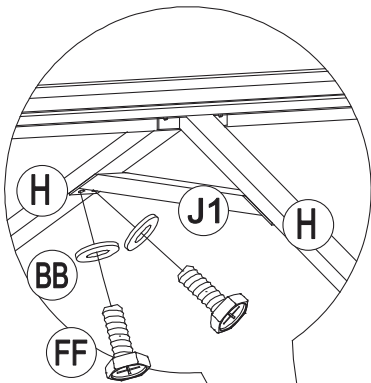
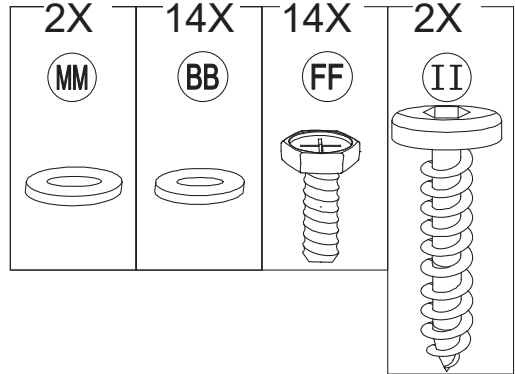
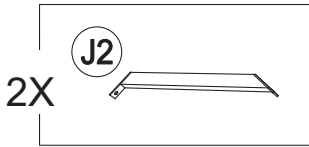
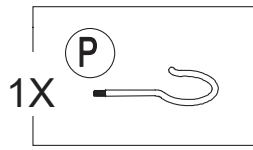
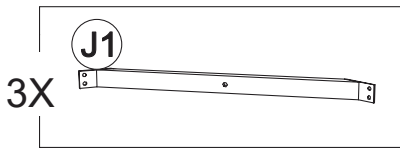


# 13

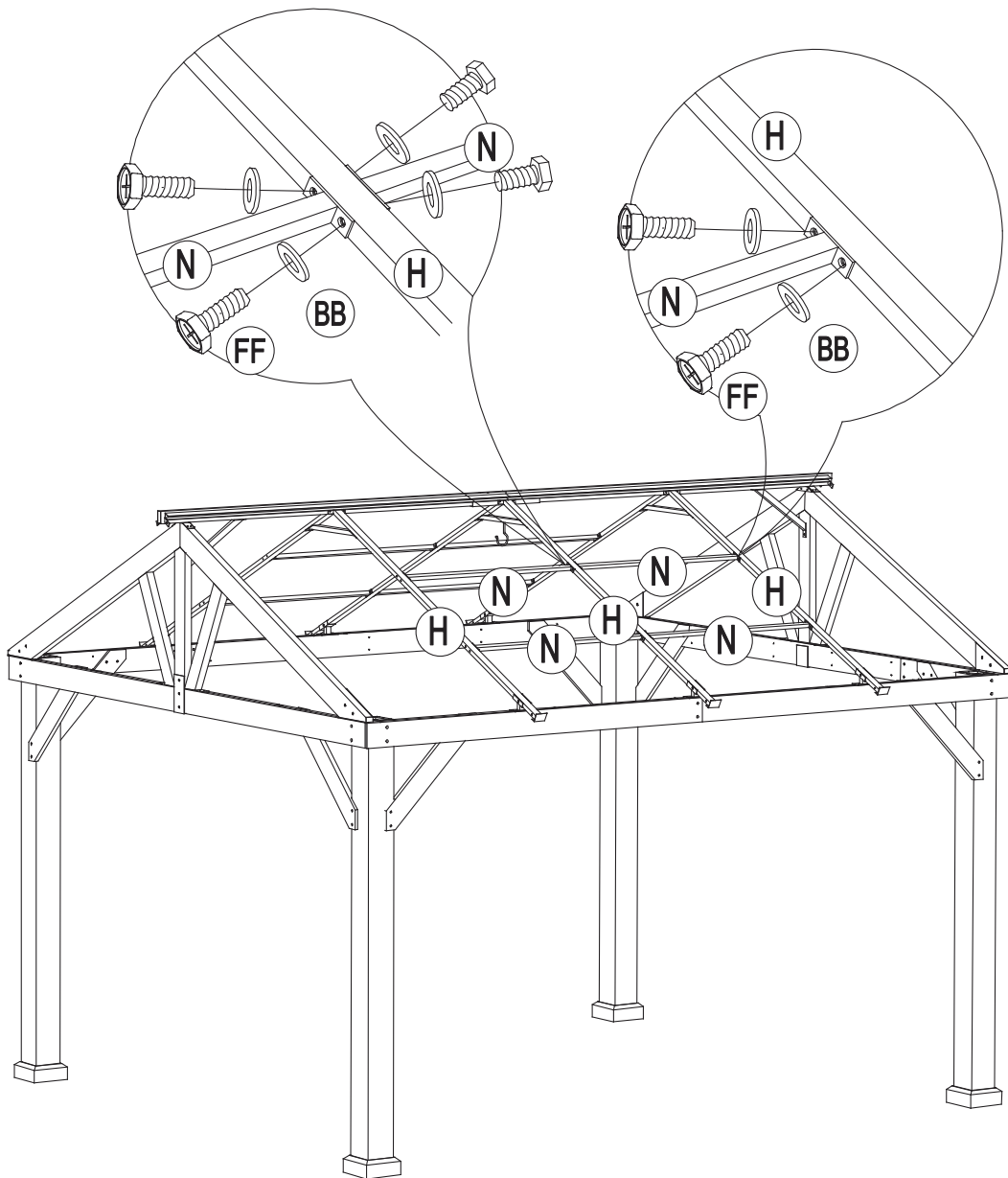
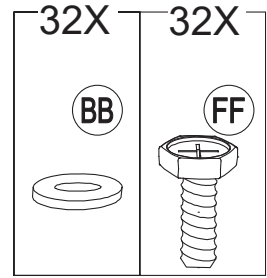
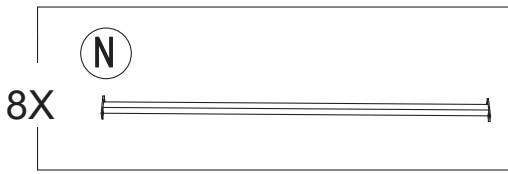


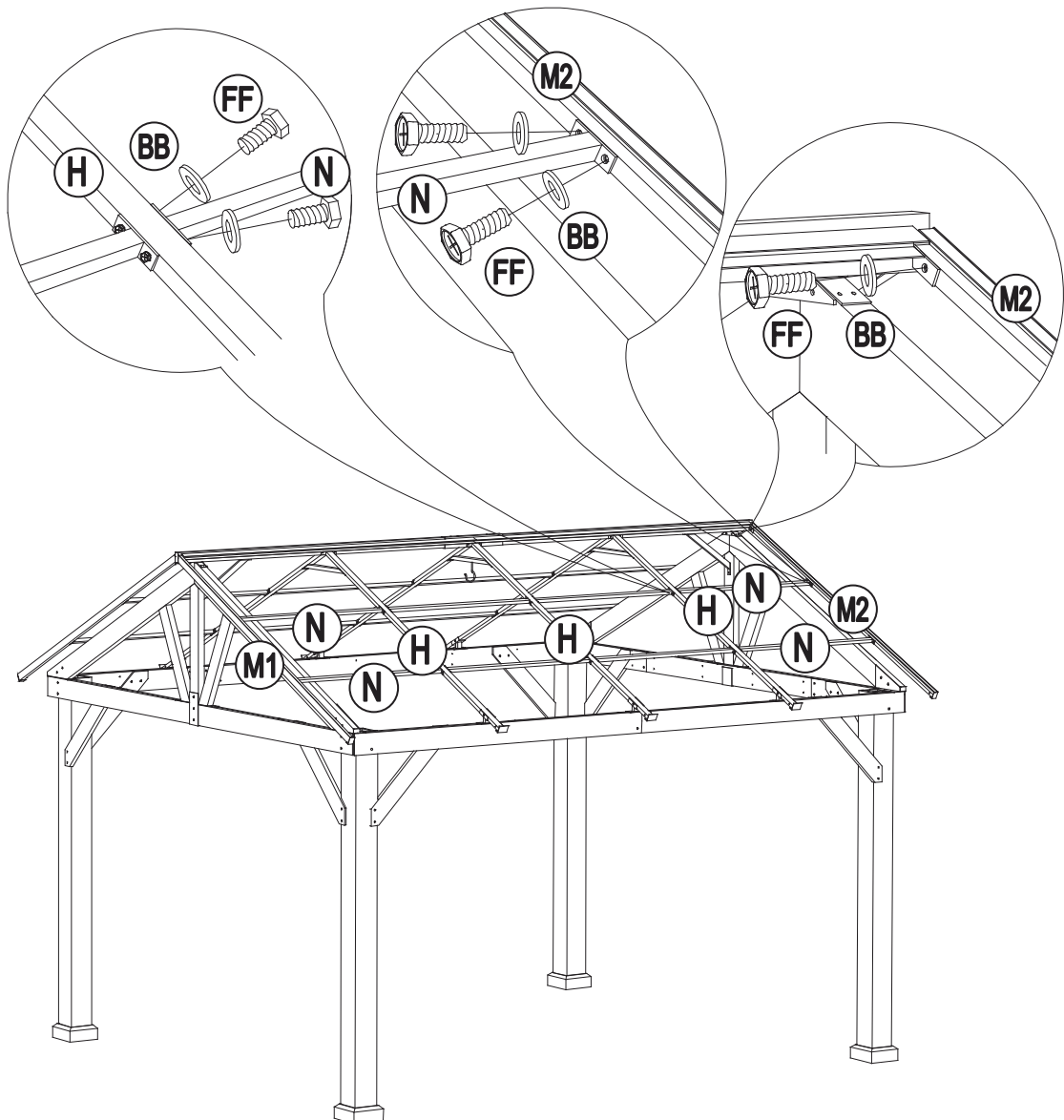
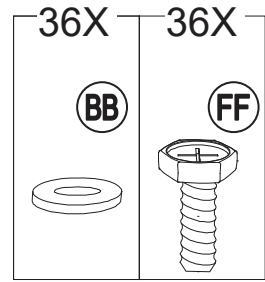
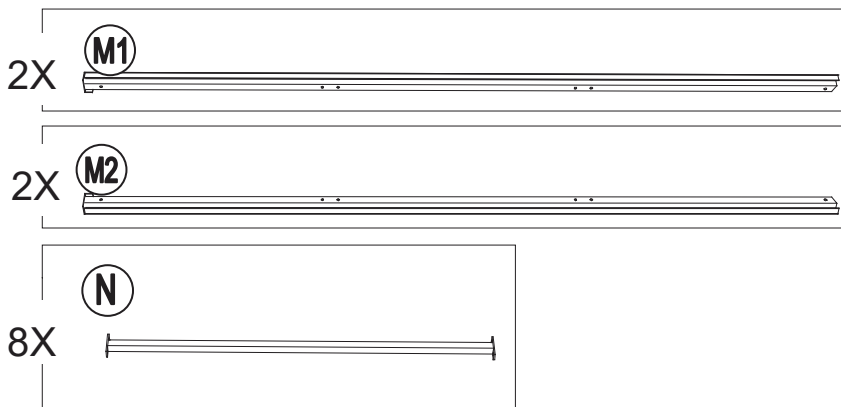


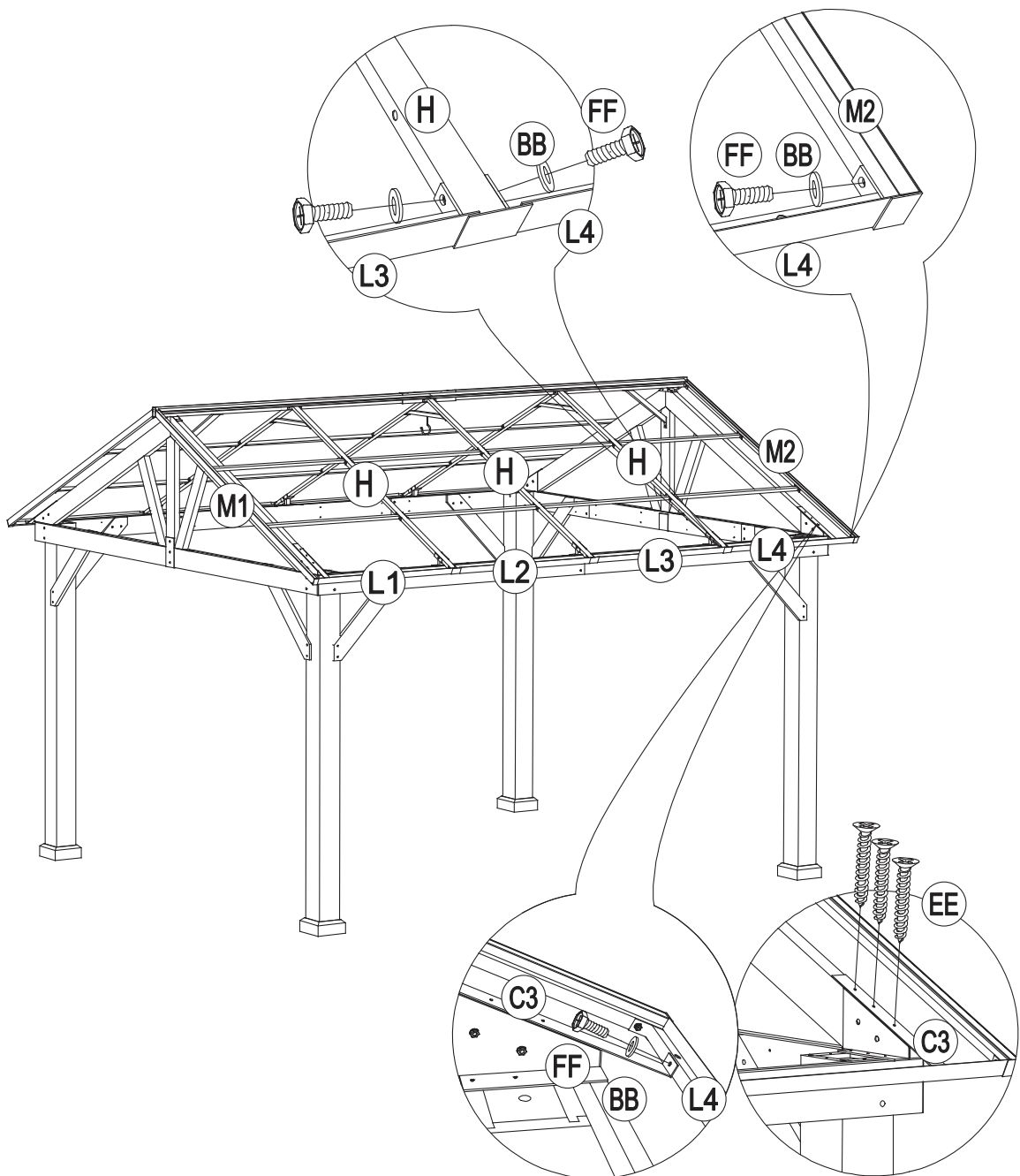
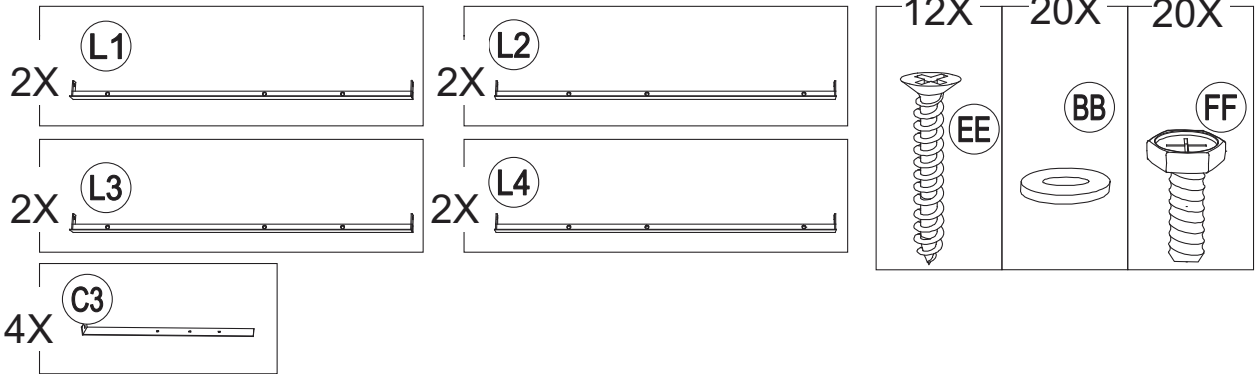
# 15

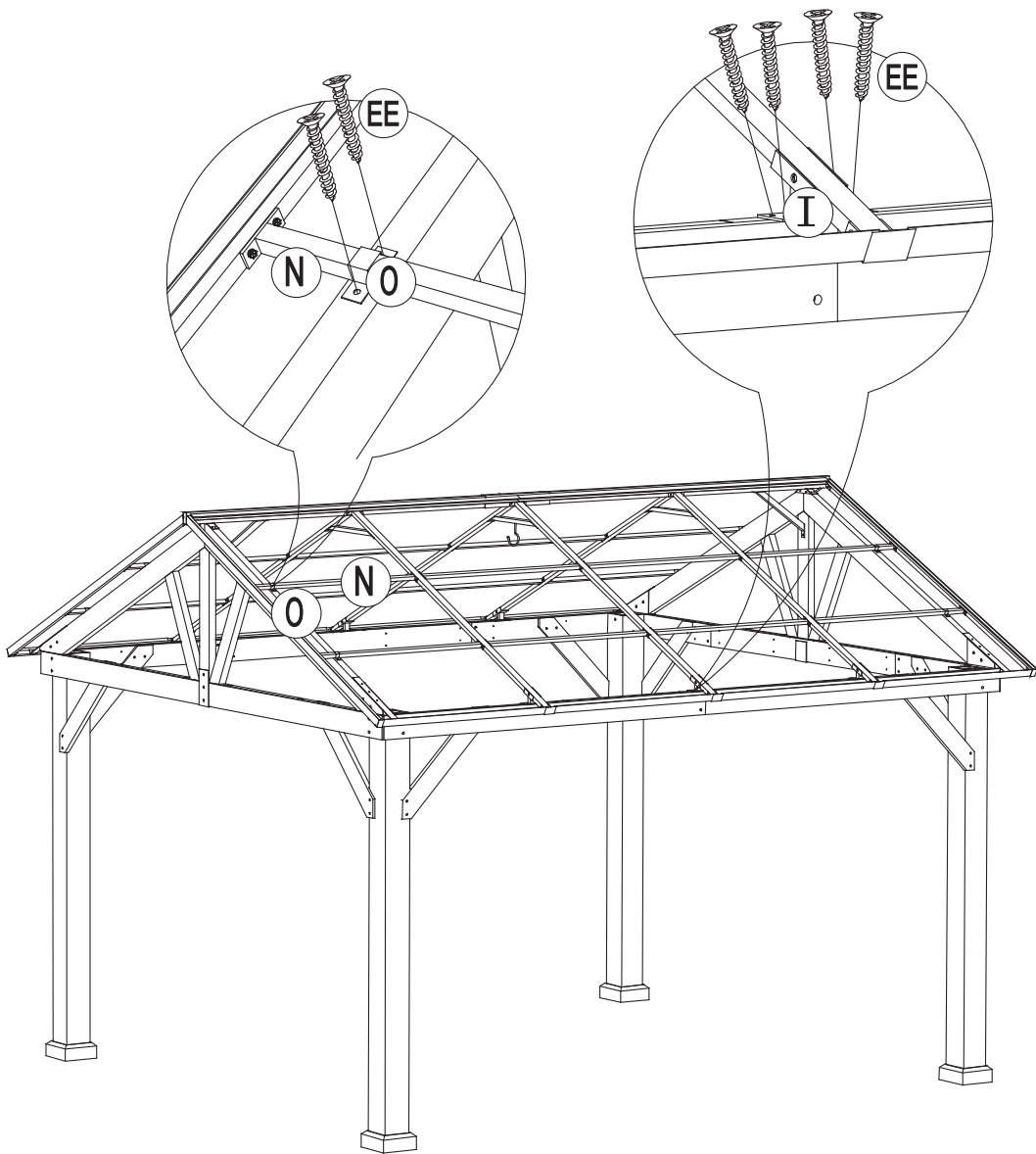
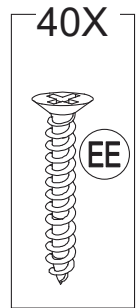
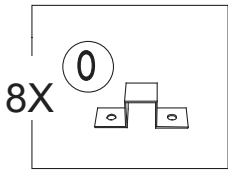


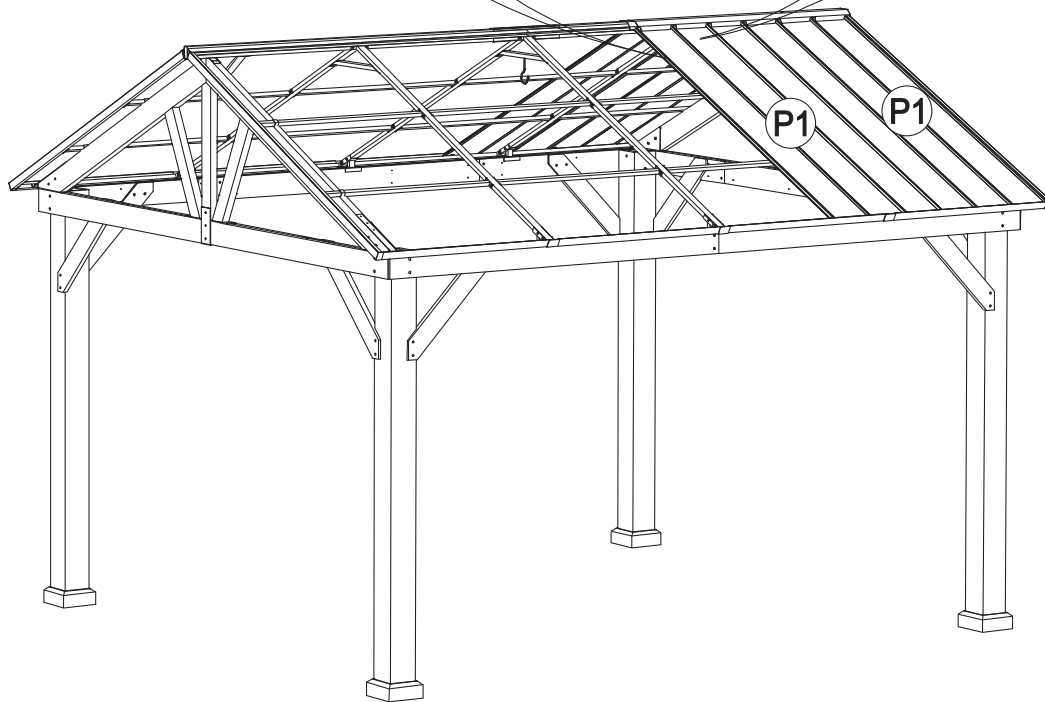
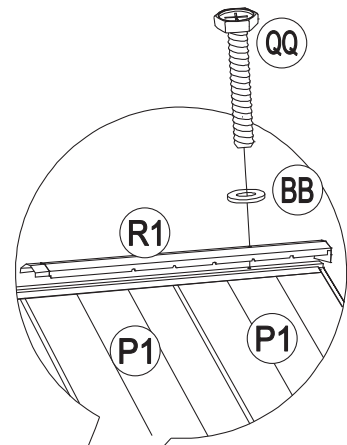
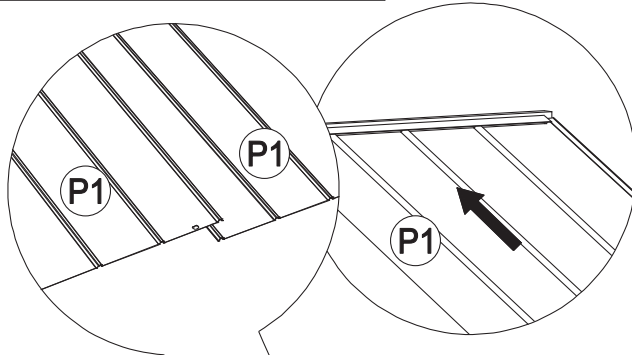
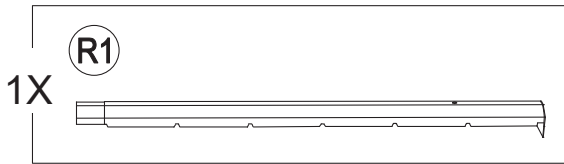
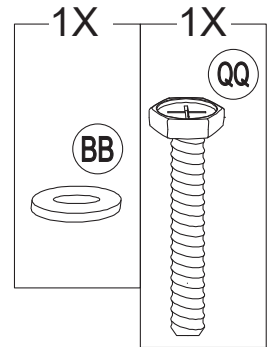


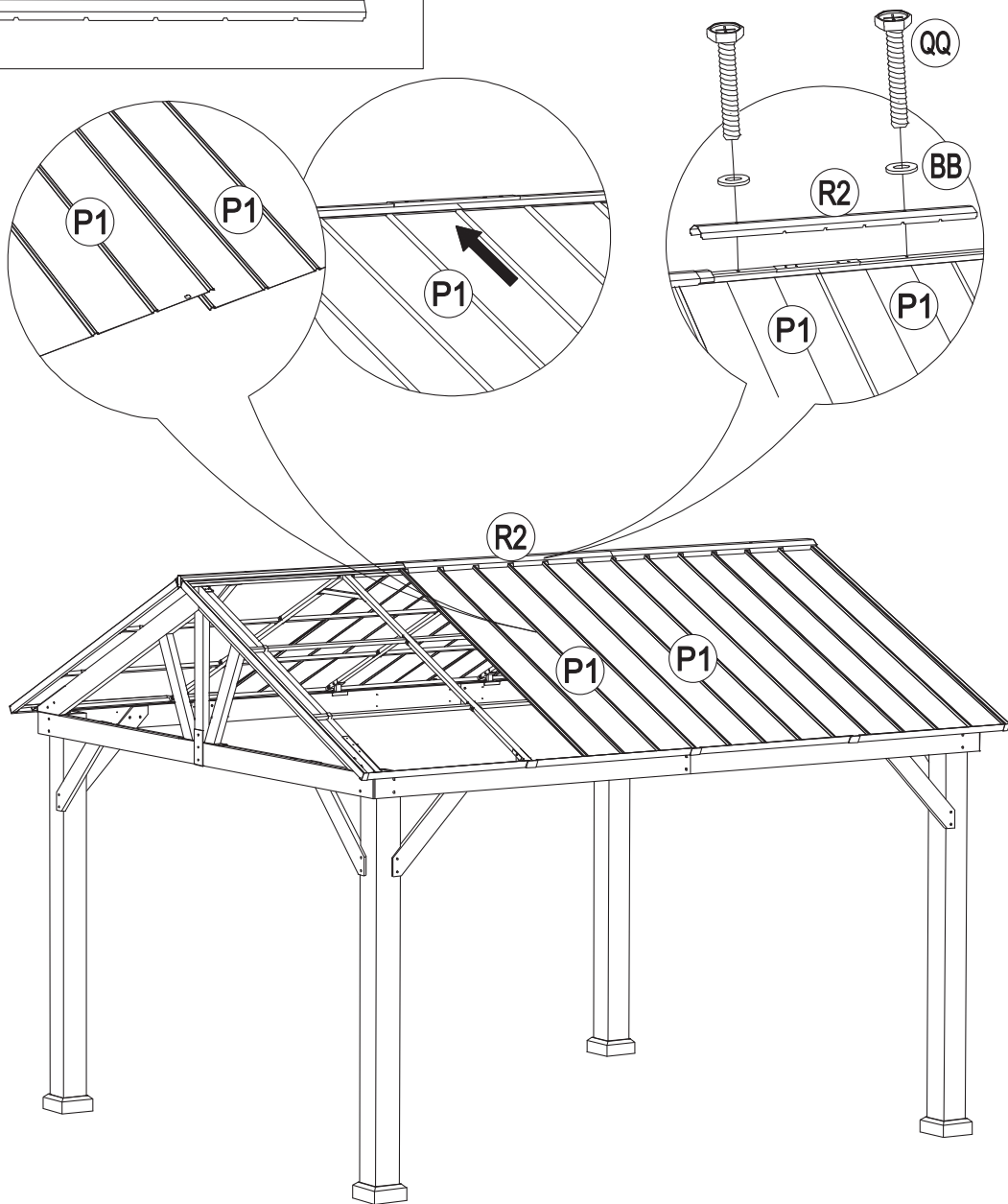
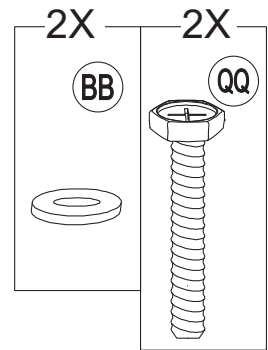
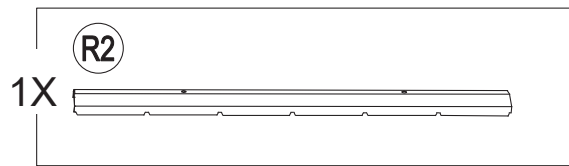
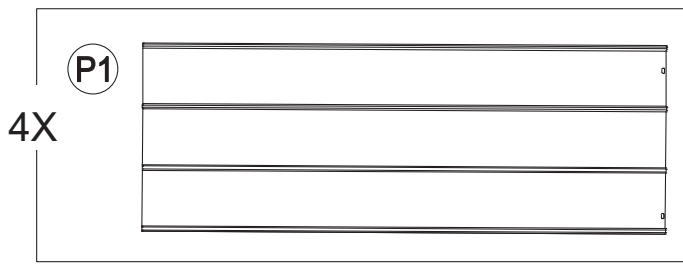




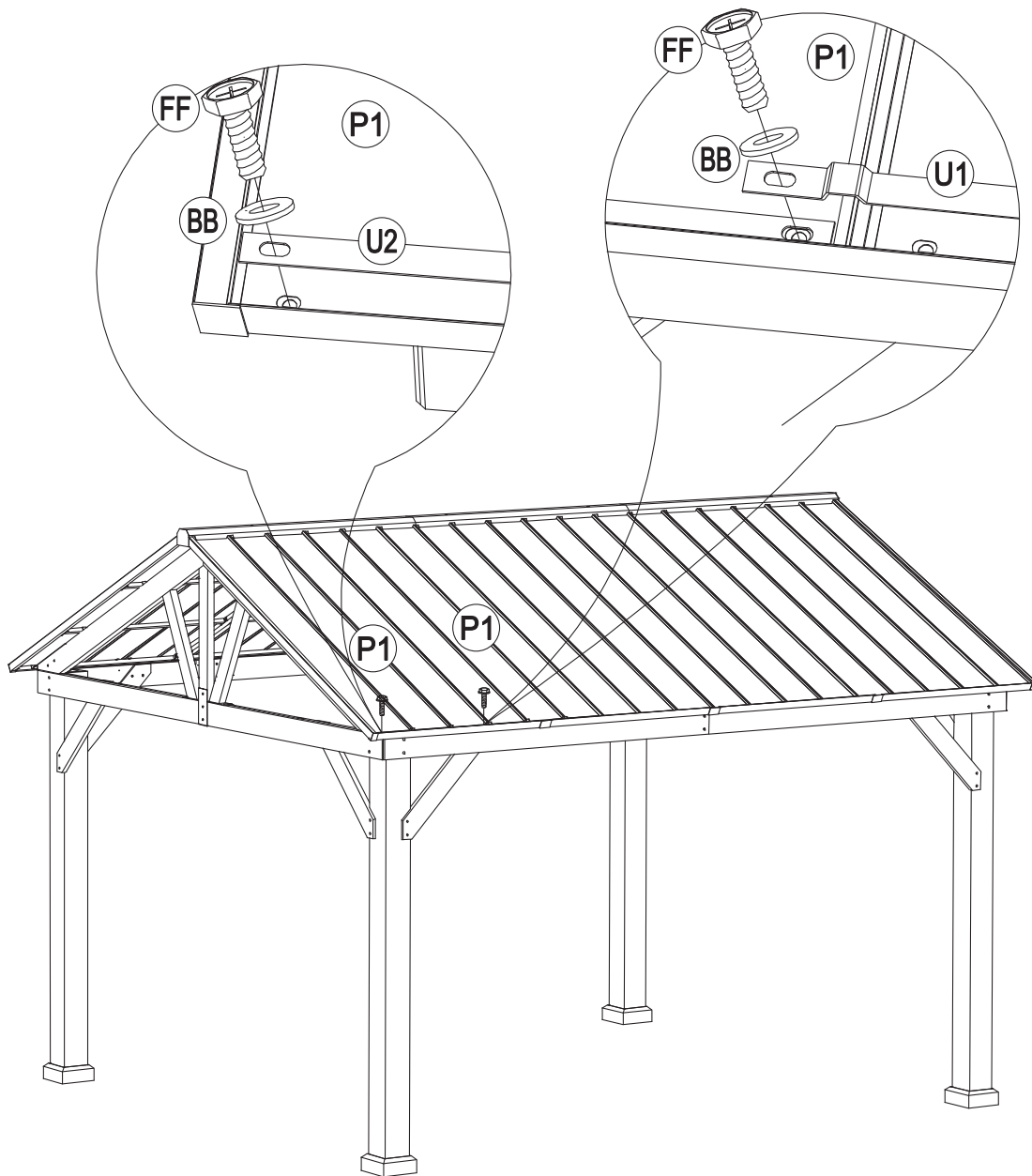
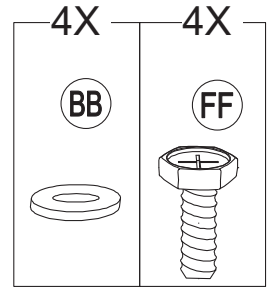
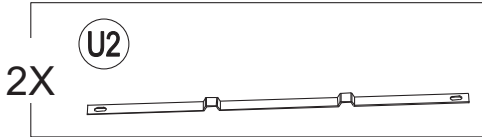
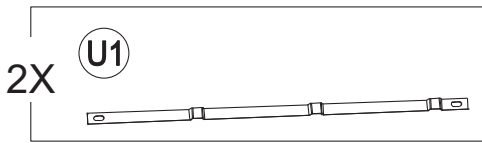




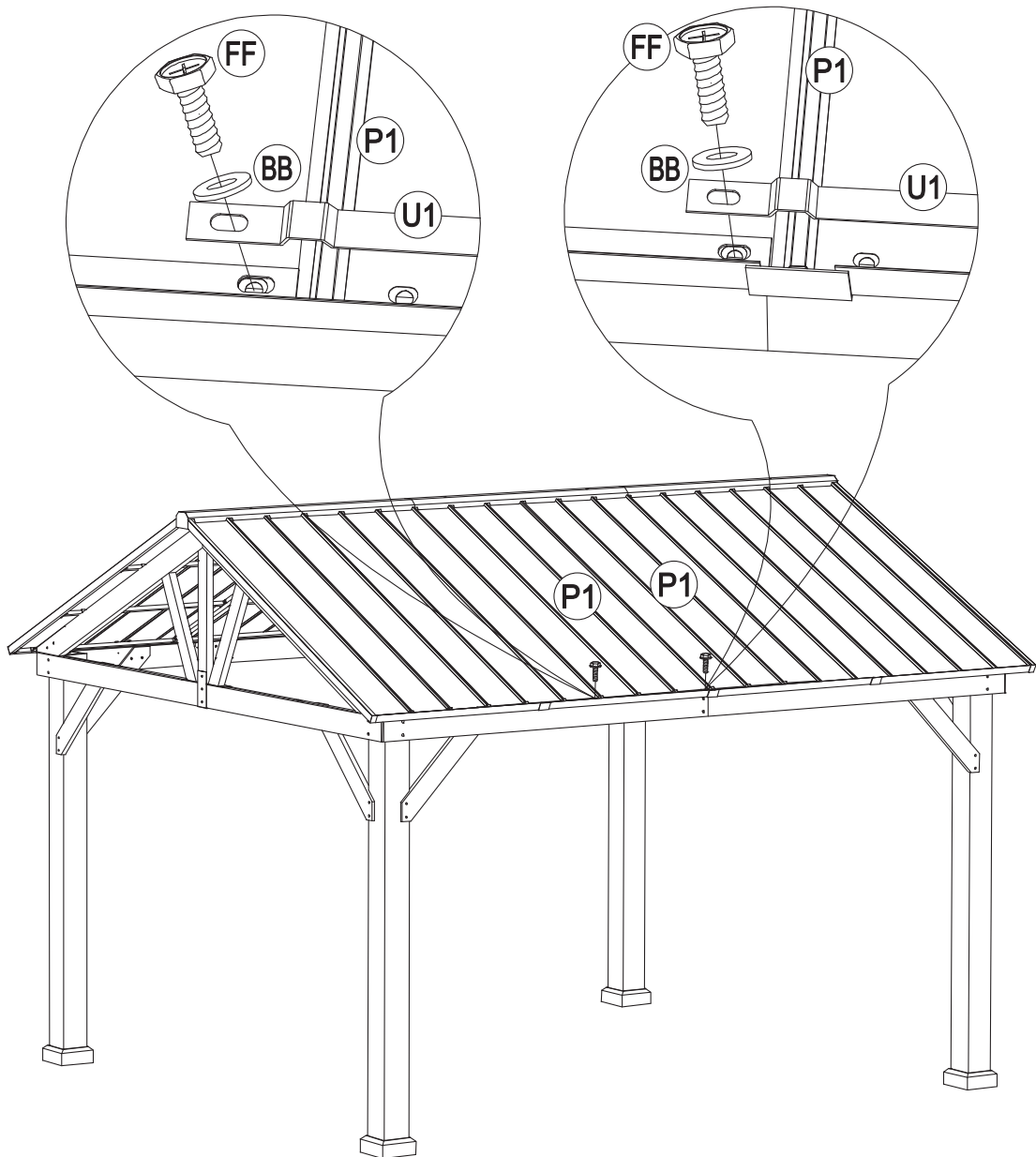
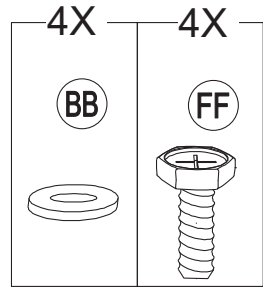
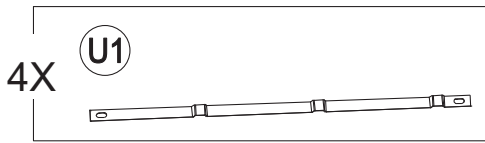


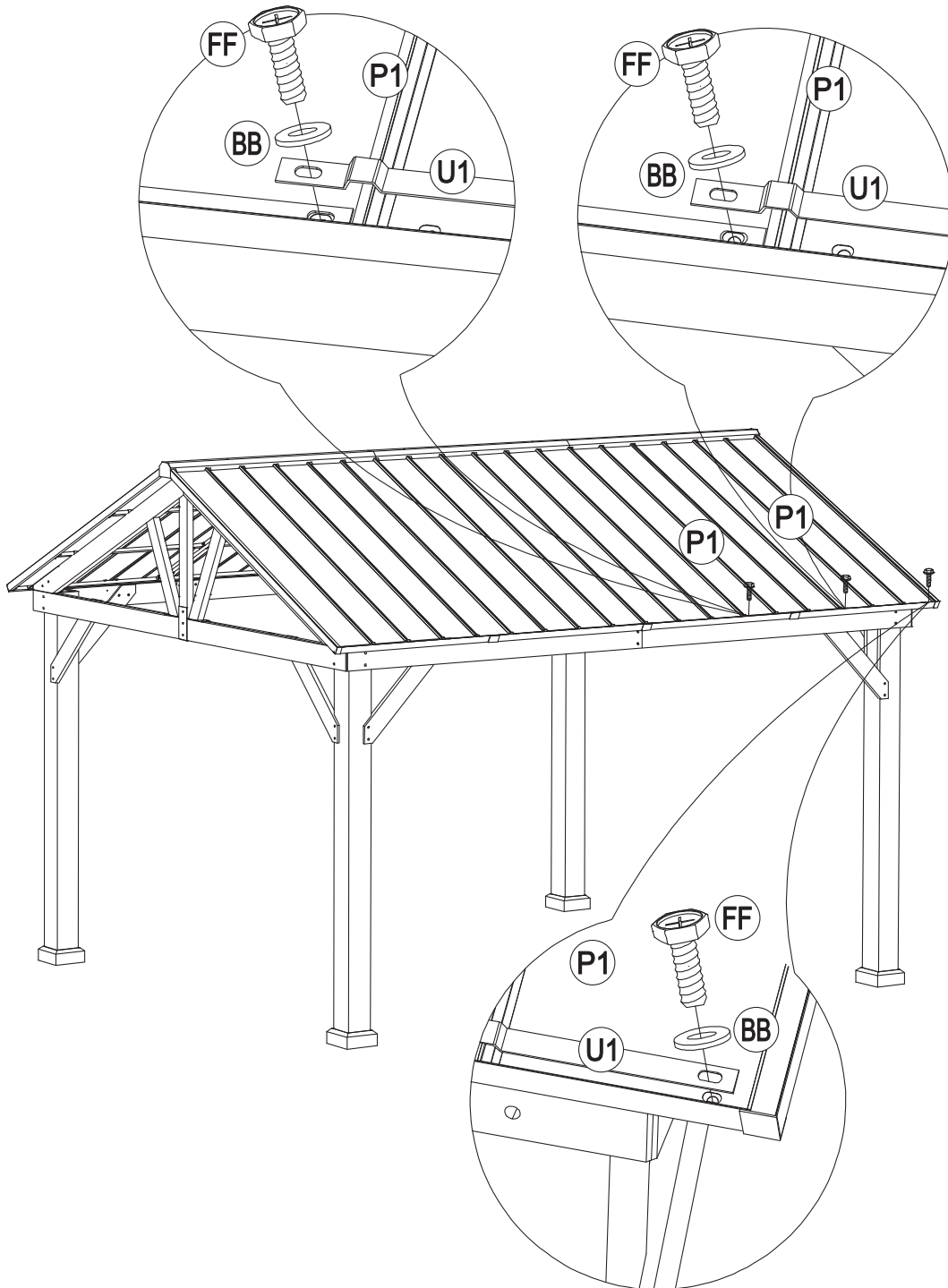
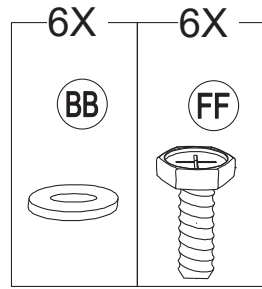
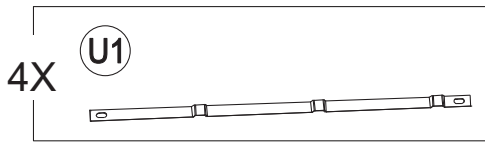


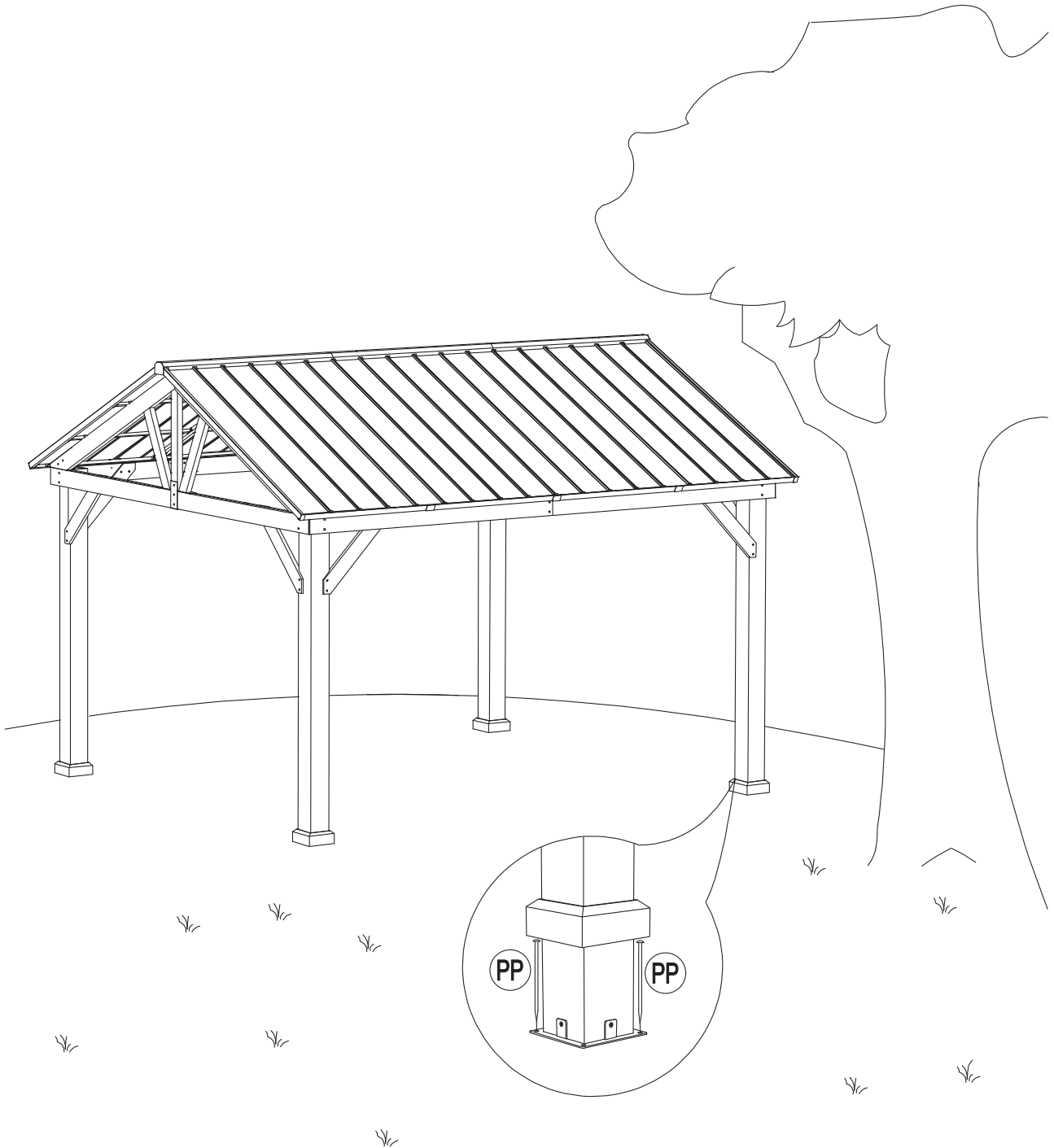
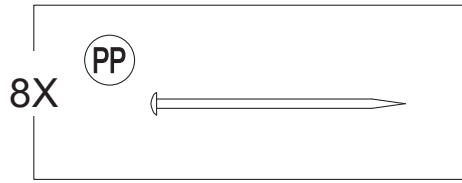














E-Mail: [helpme@sunjoyonline.eu](mailto:helpme@sunjoyonline.eu)  
[www.sunjoyonline.eu](http://www.sunjoyonline.eu)