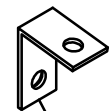
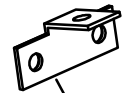
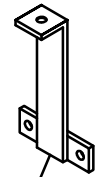
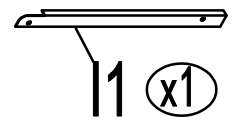
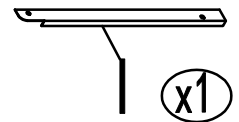
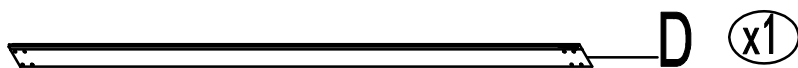
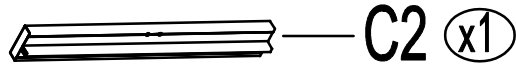
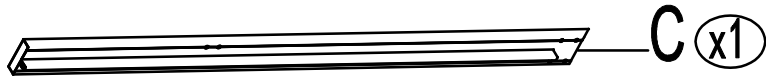
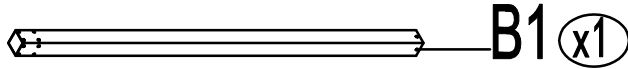
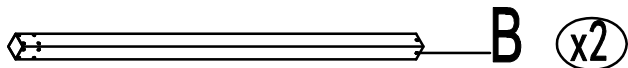
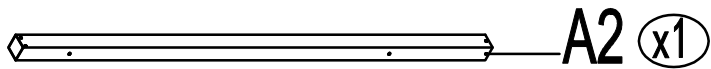
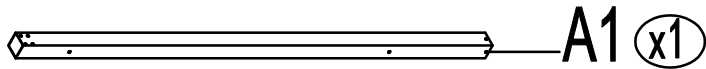
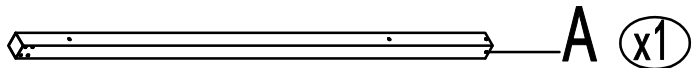
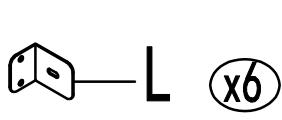


FOUR SEASONS WALL SUNSHELTER
3 X 4.8M

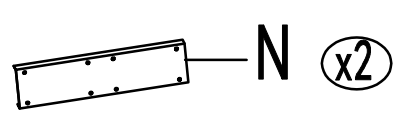




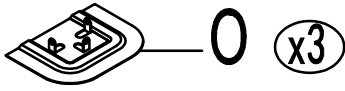
L (x6)



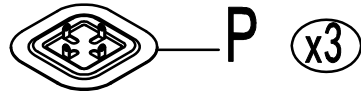
M (x5)



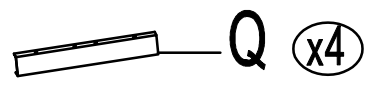
N (x2)



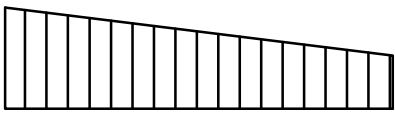
O (x3)



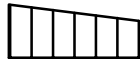
P (x3)



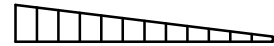
Q (x4)



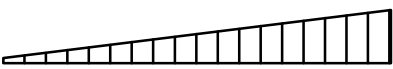
R1a (x1)



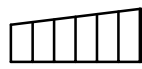
R1b (x1)



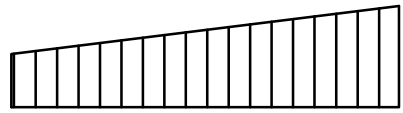
R1c (x1)



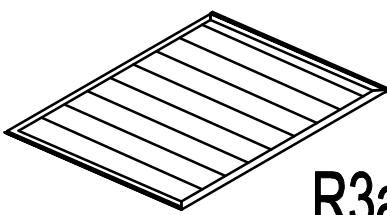
R2c (x1)



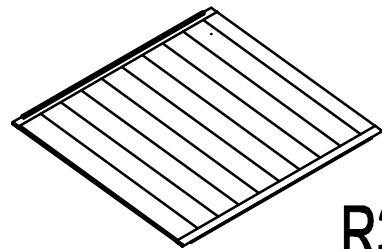
R2b (x1)



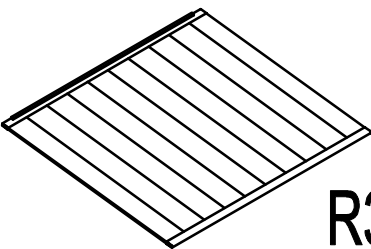
R2a (x1)



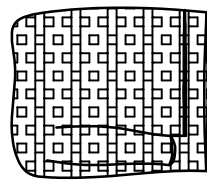
R3a (x4)



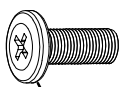
R3b (x4)



R3c (x4)



S (x4)



W (x144)



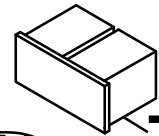
X (x32)



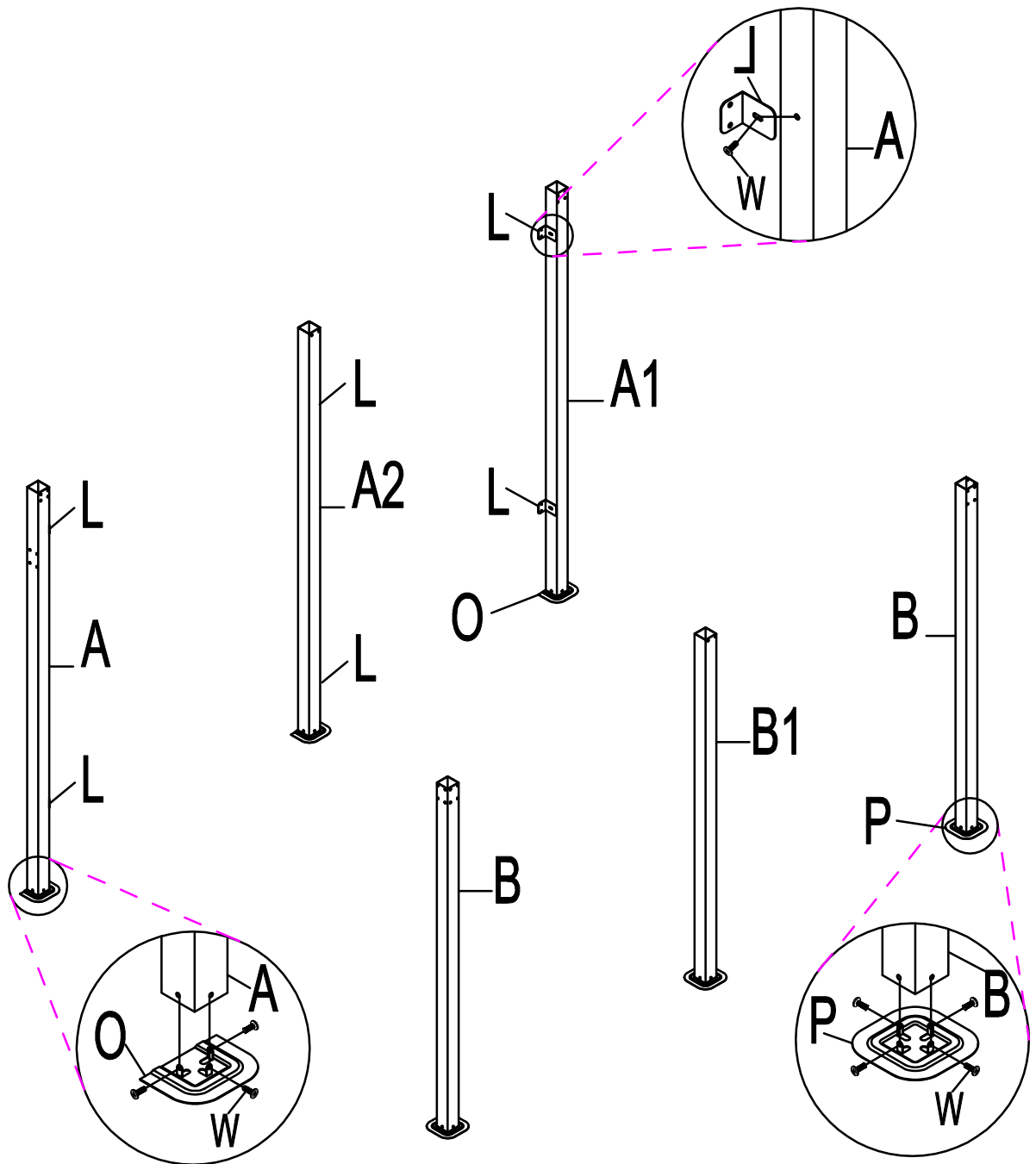
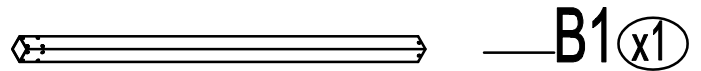
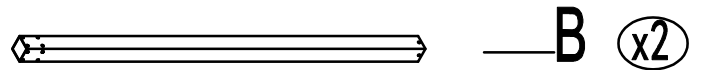
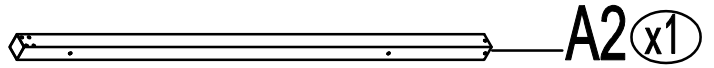
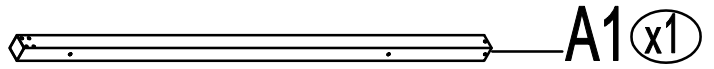
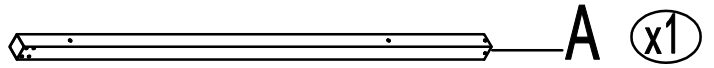
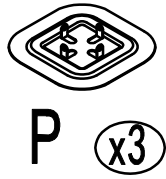
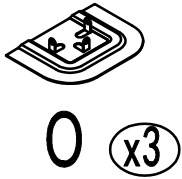
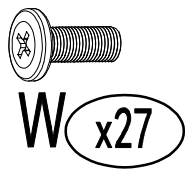
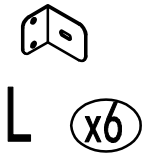
W1 (x4)

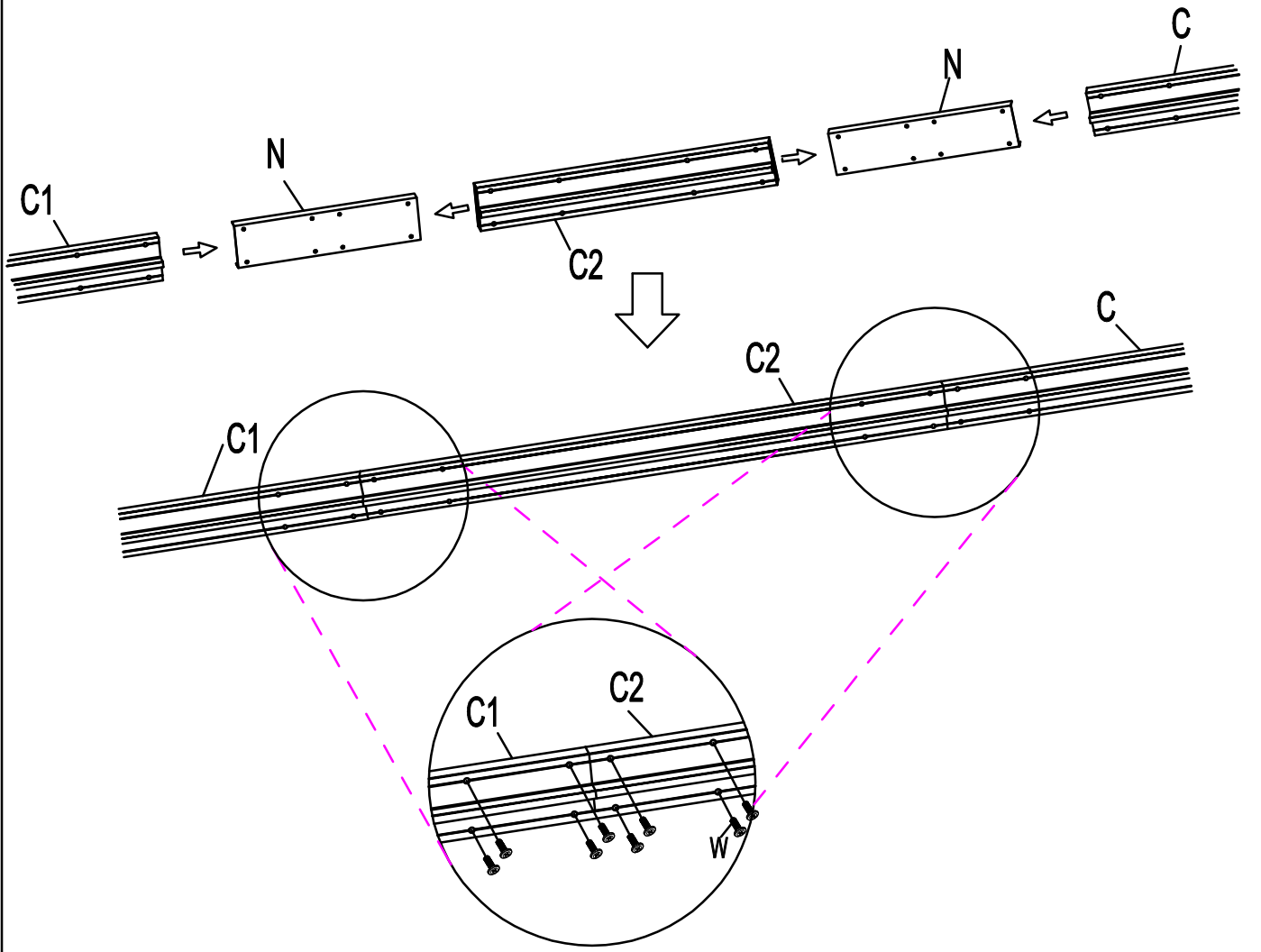
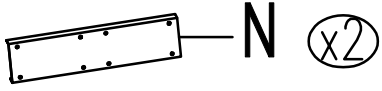
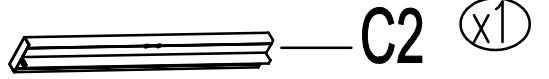
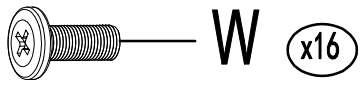


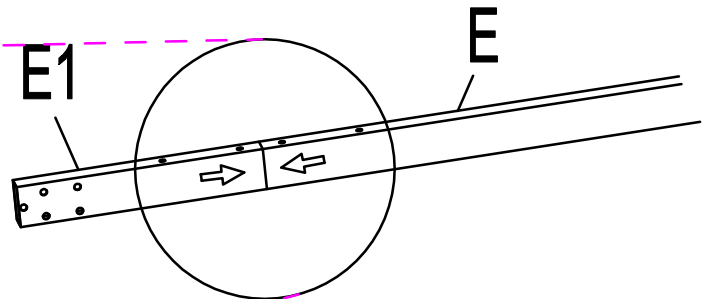
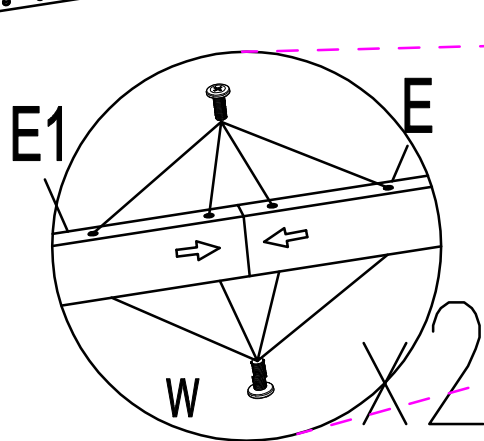
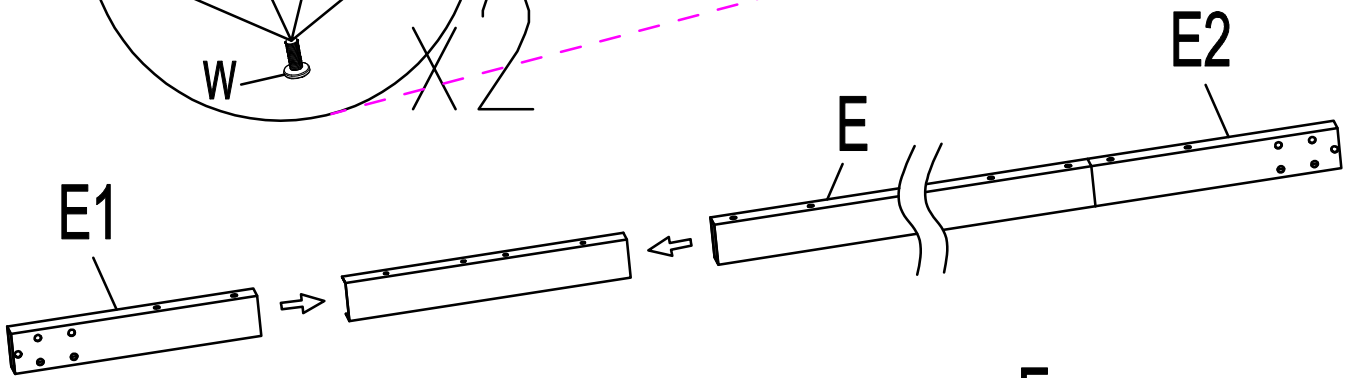
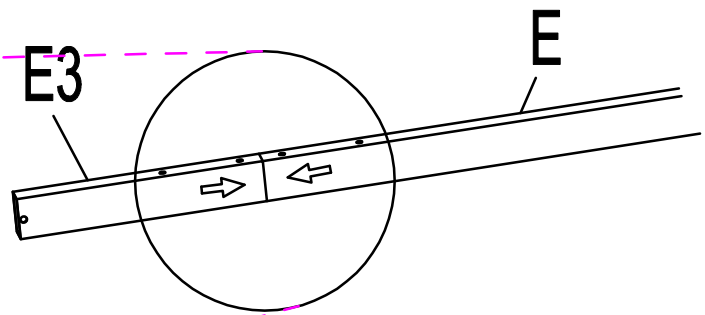
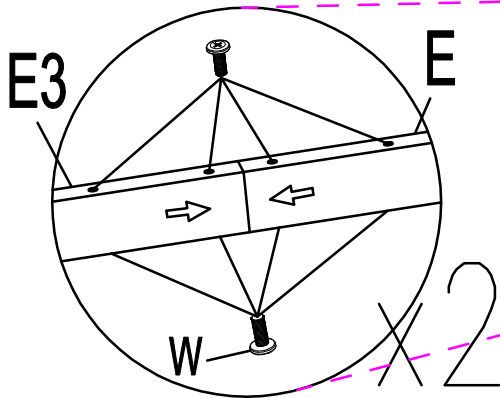
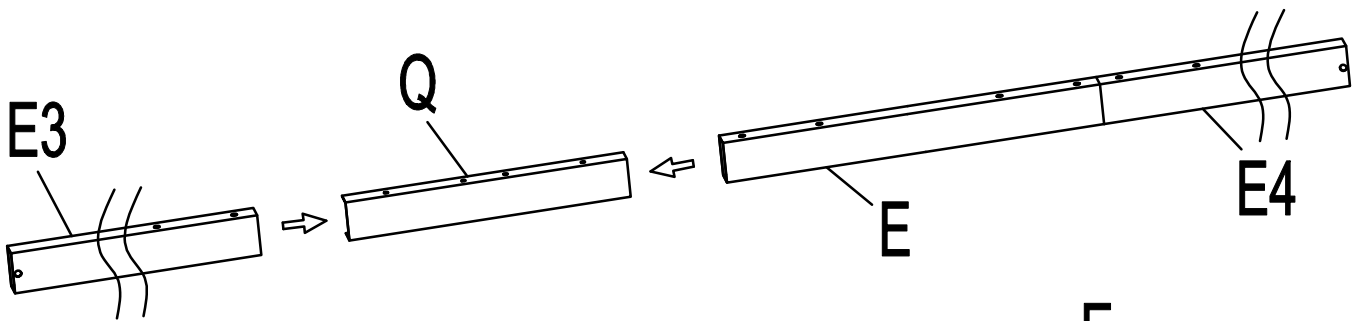
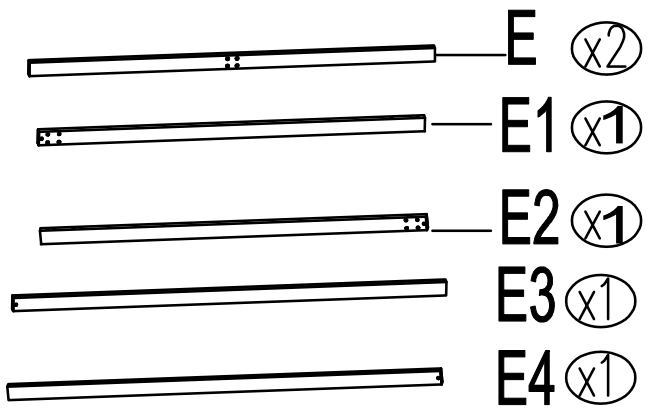
Y (x84)

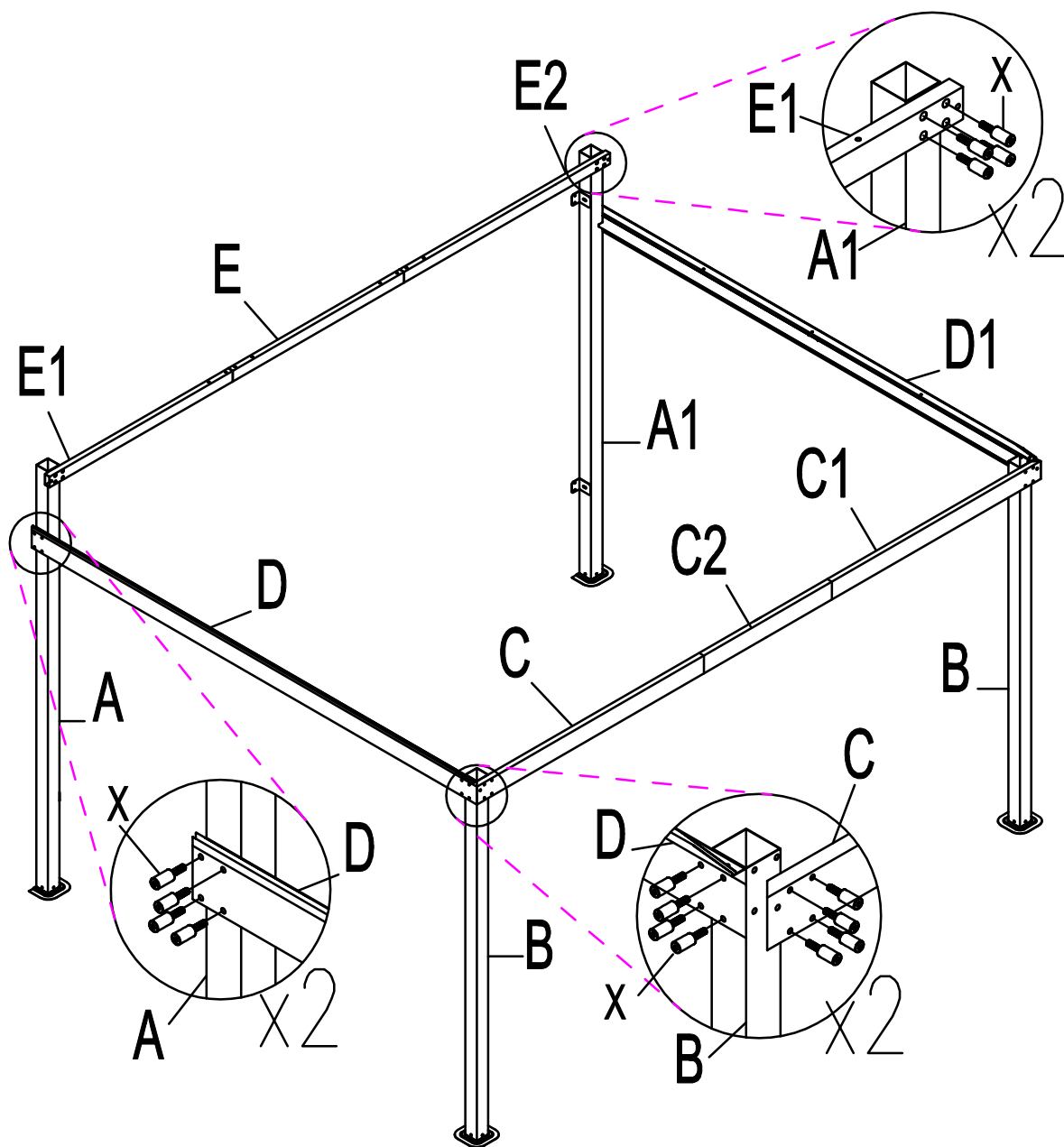
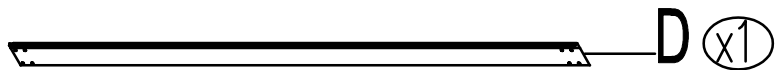
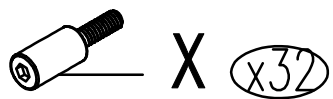


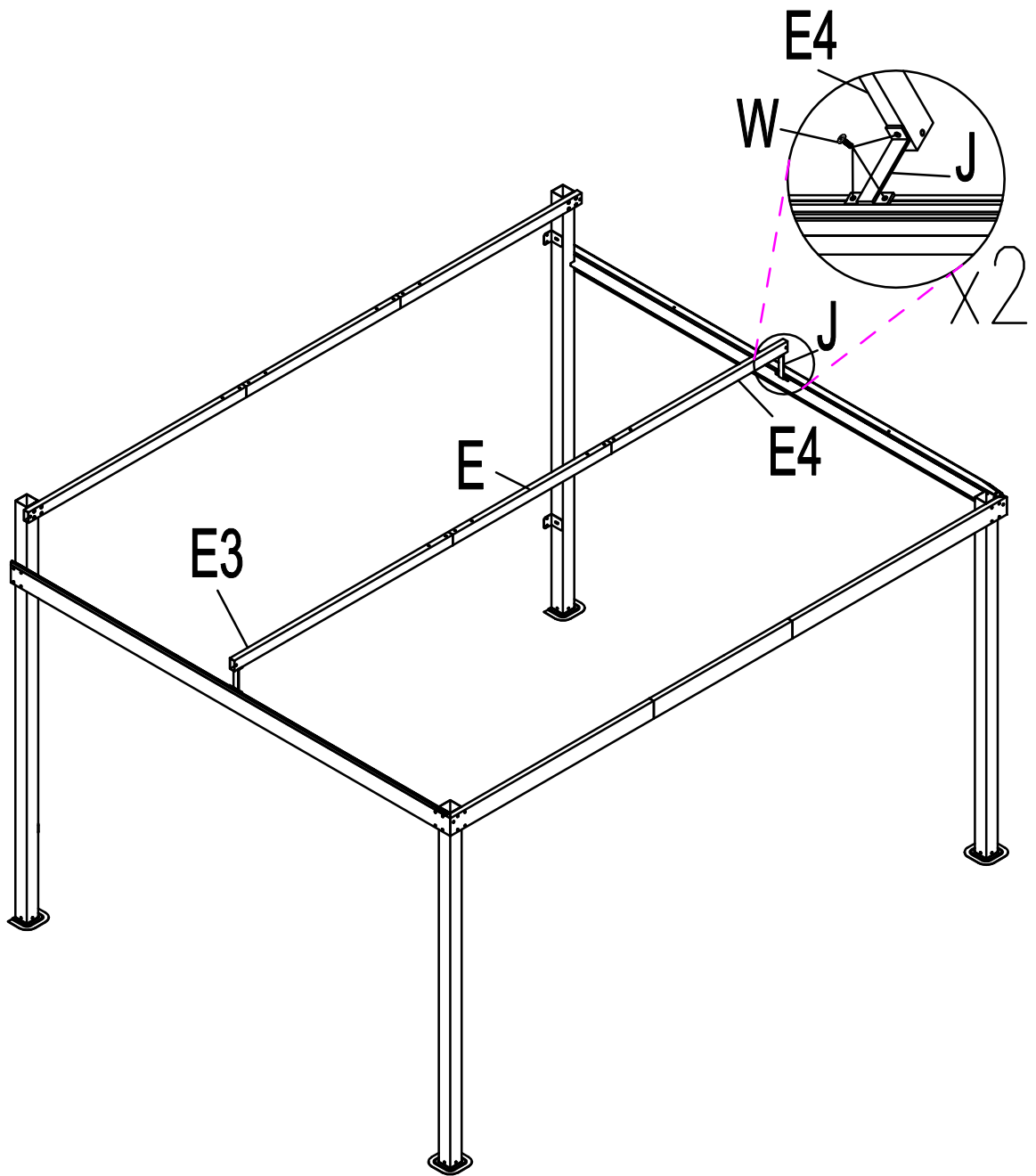
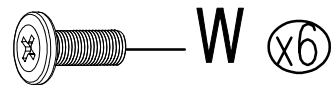
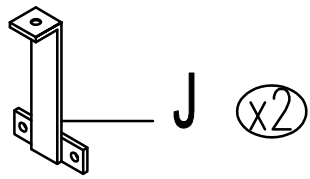
Z (x4)

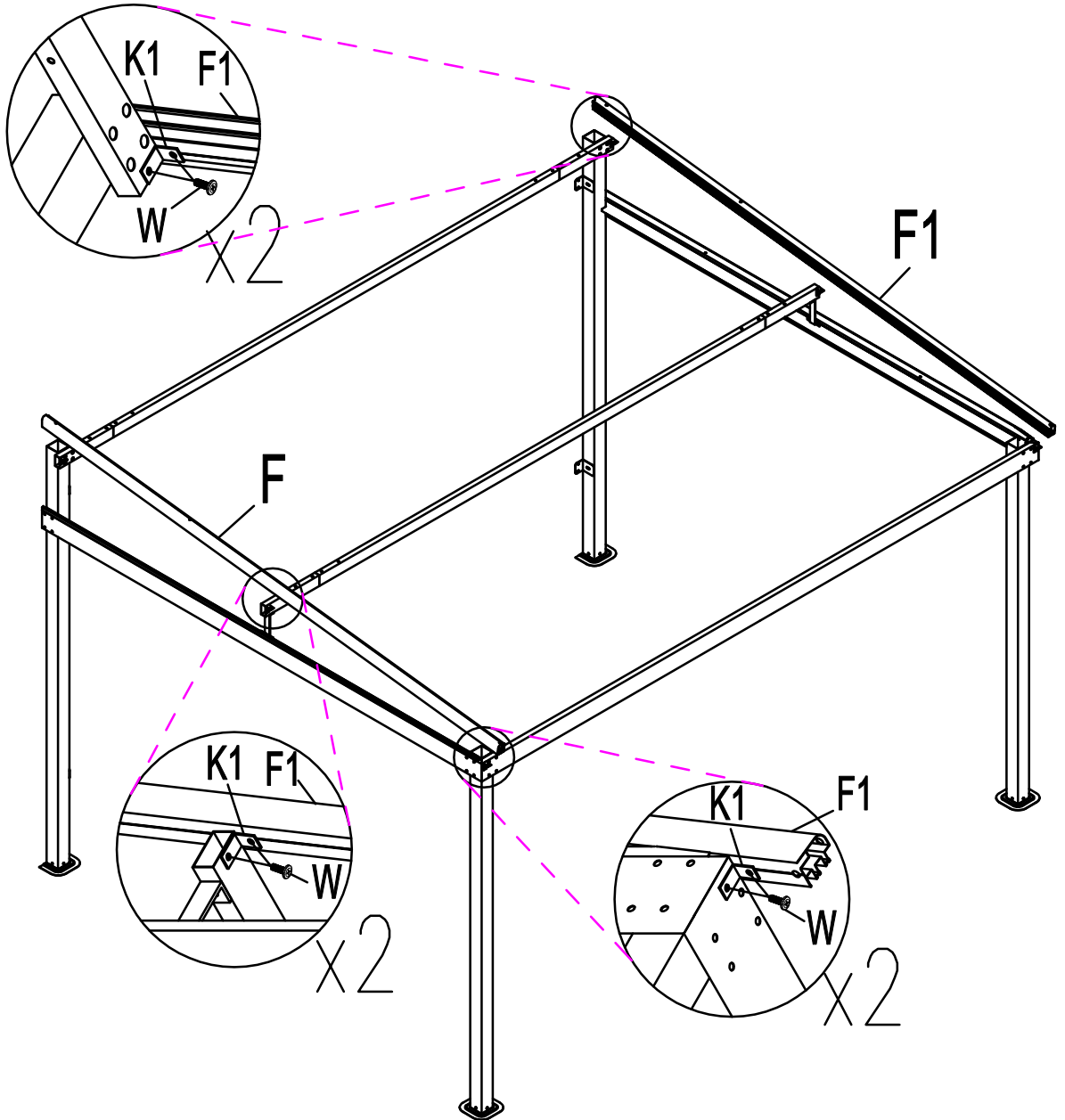
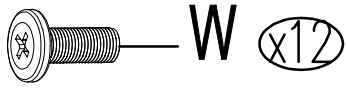
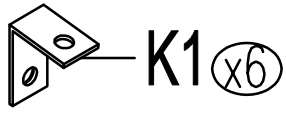


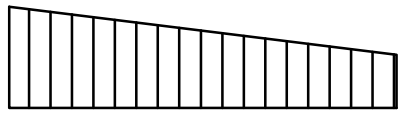




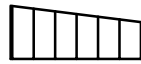




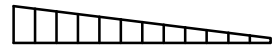




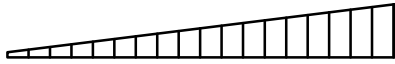
R1a (x1)



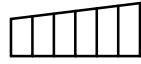
R1b (x1)



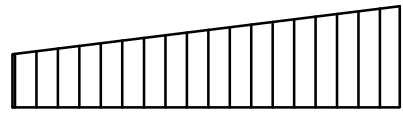
R1c (x1)



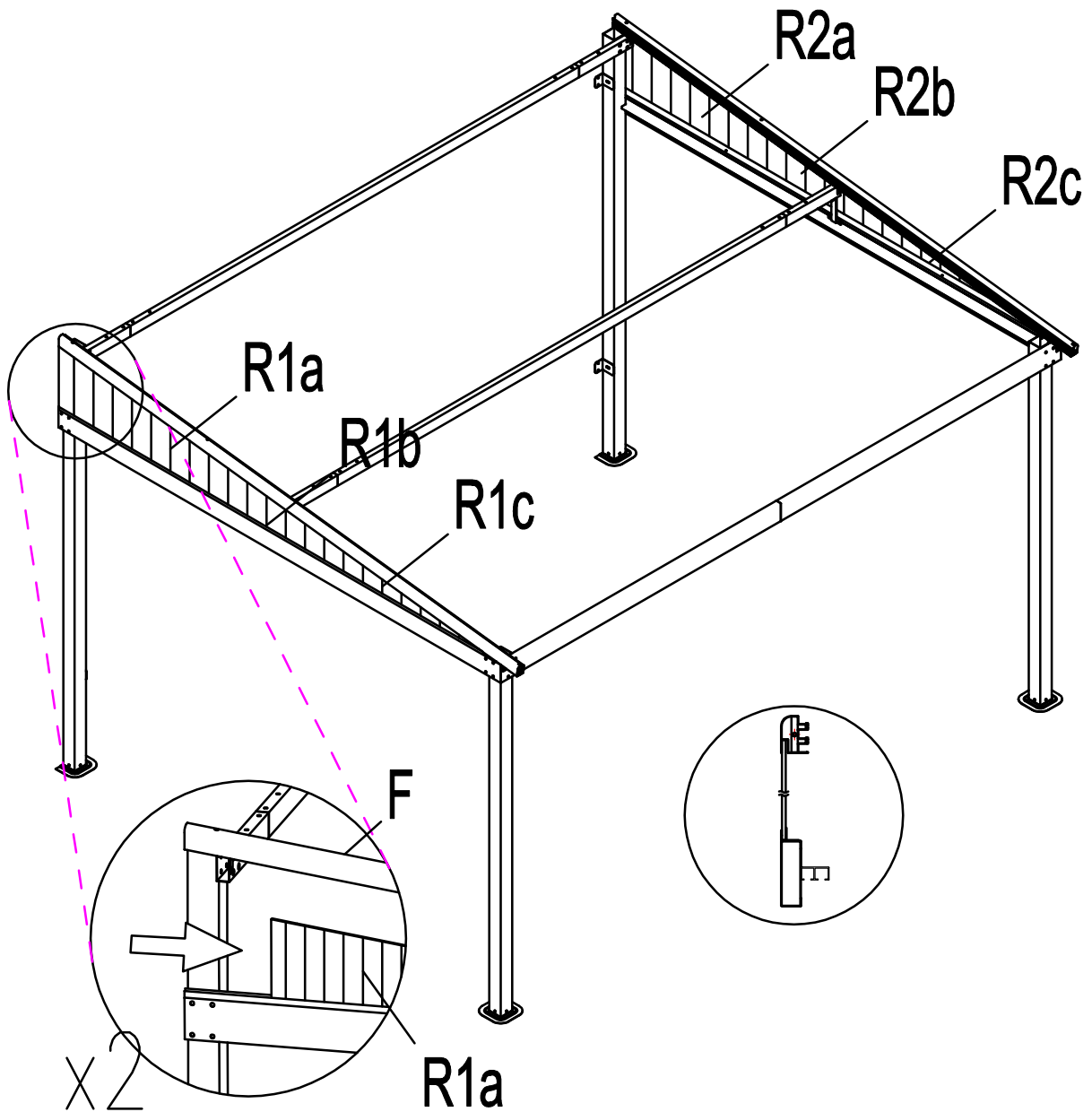
R2c (x1)

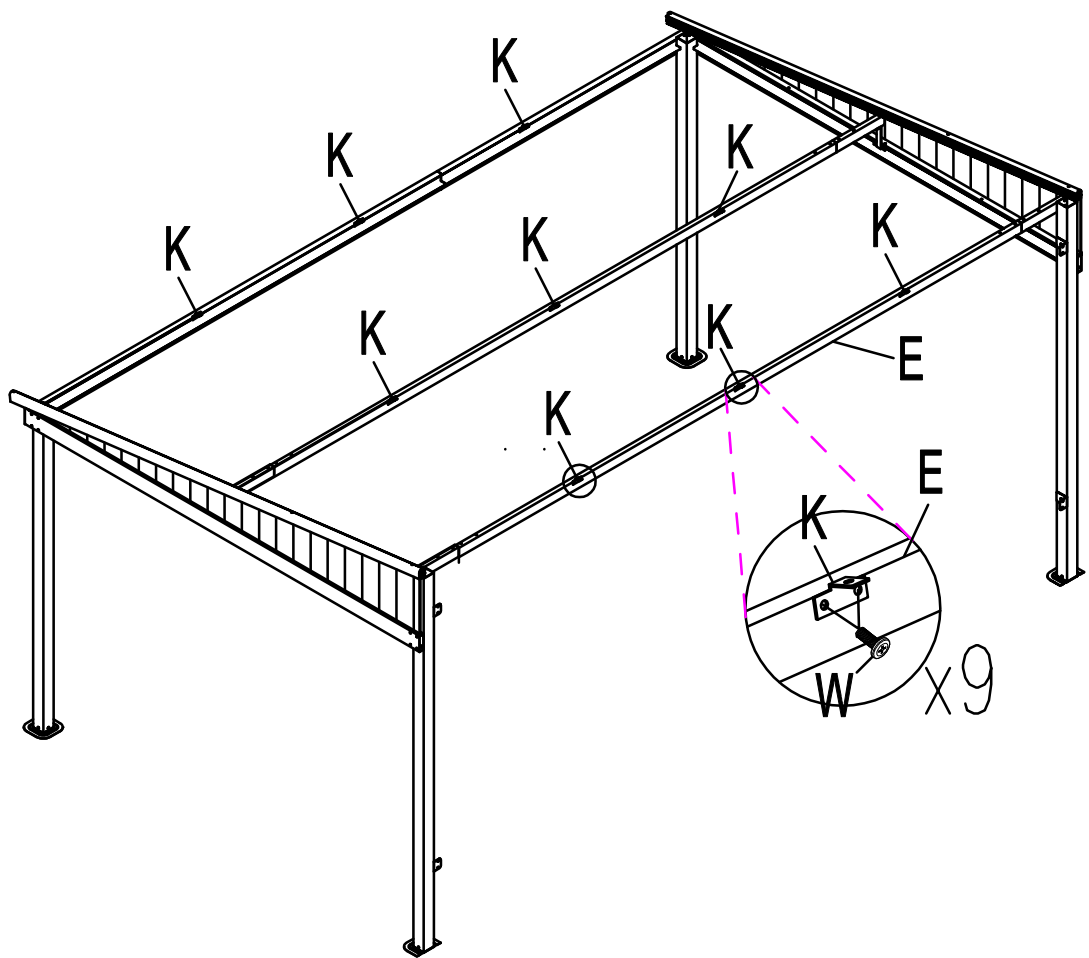
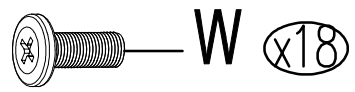
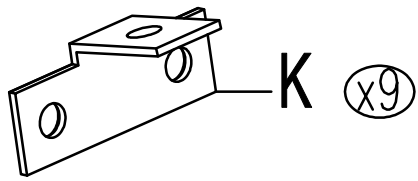


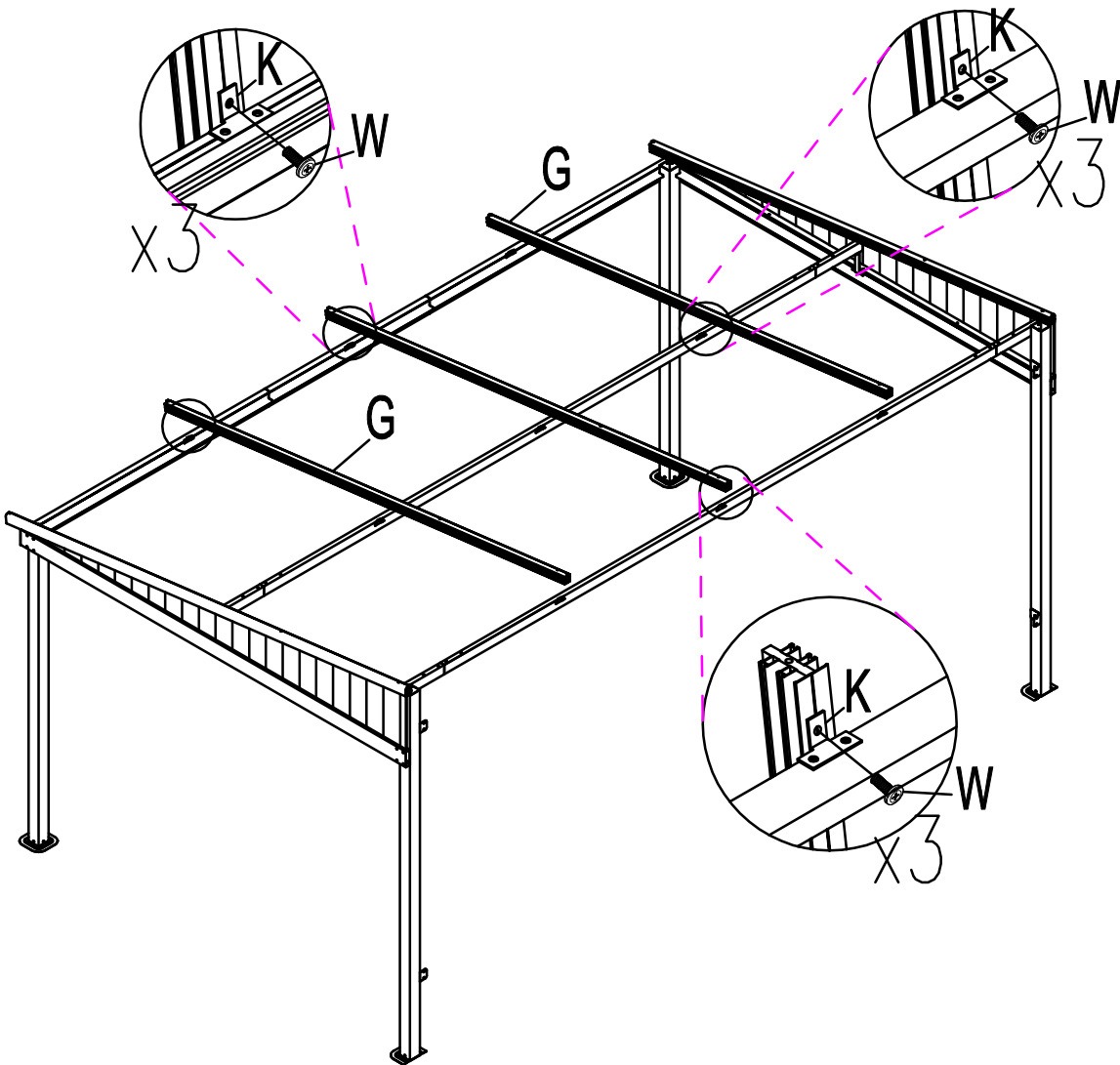
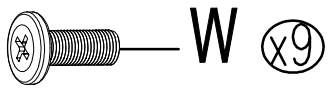
R2b (x1)

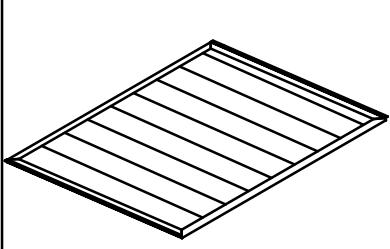


R2a (x1)

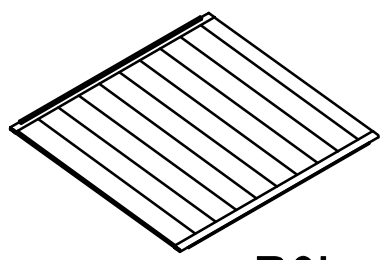




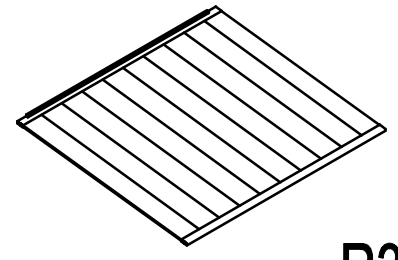




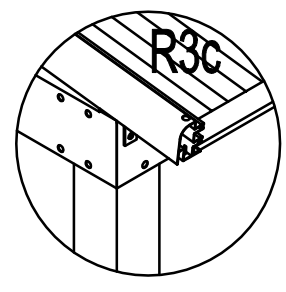
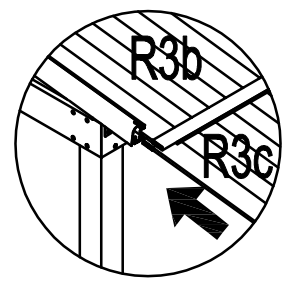
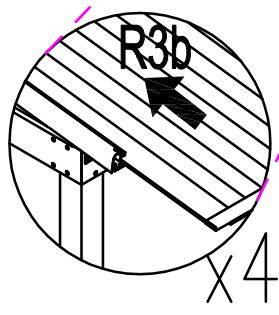
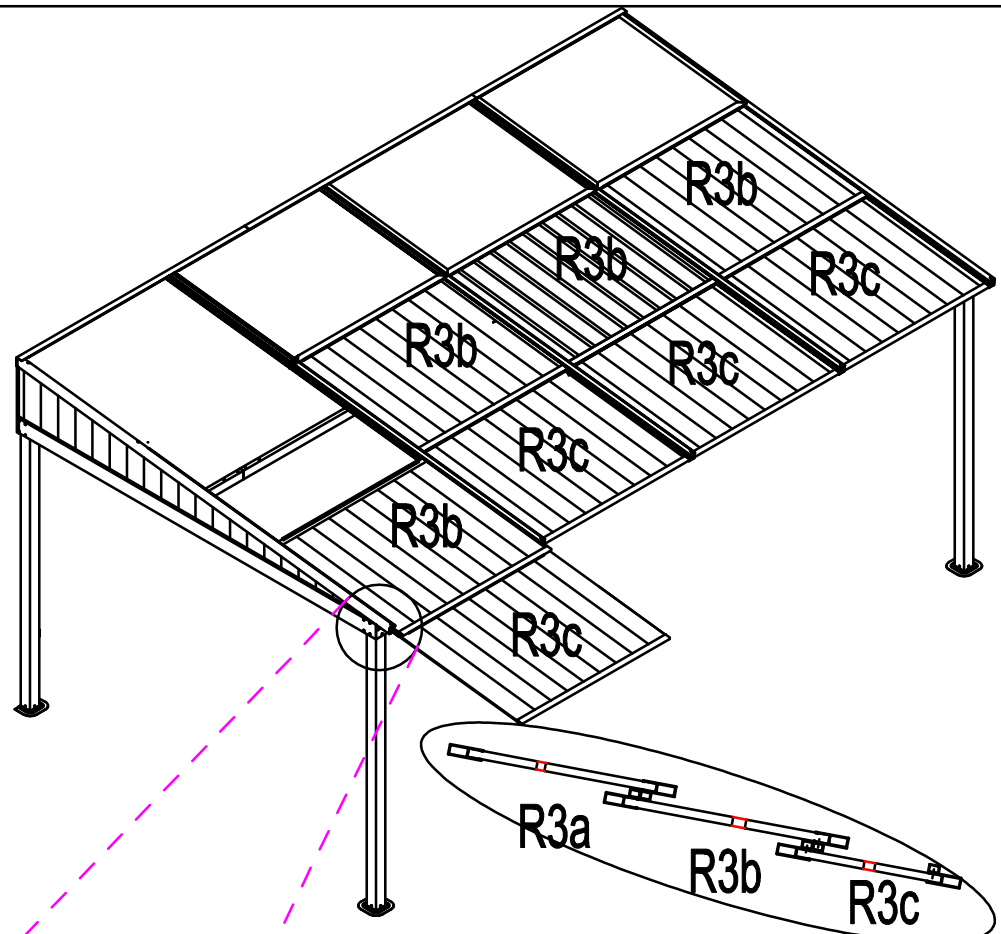
R3a (x4)

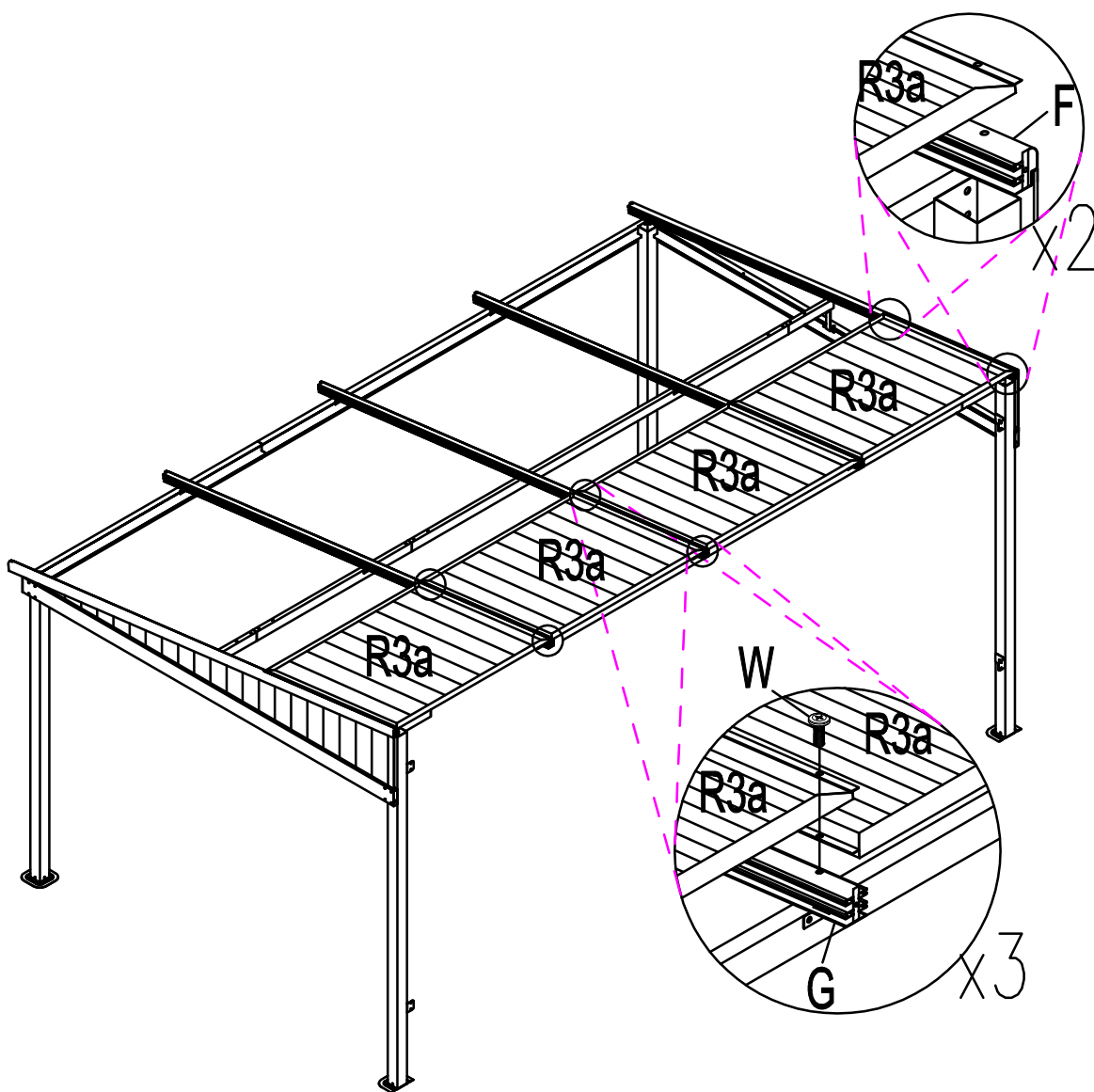


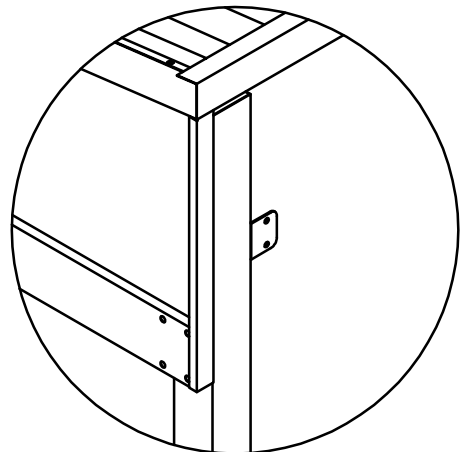
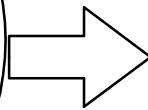
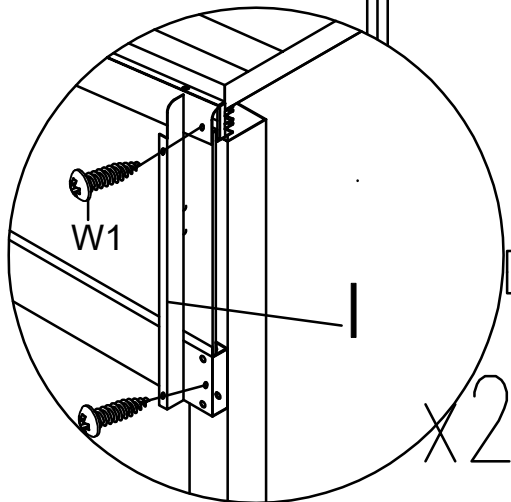
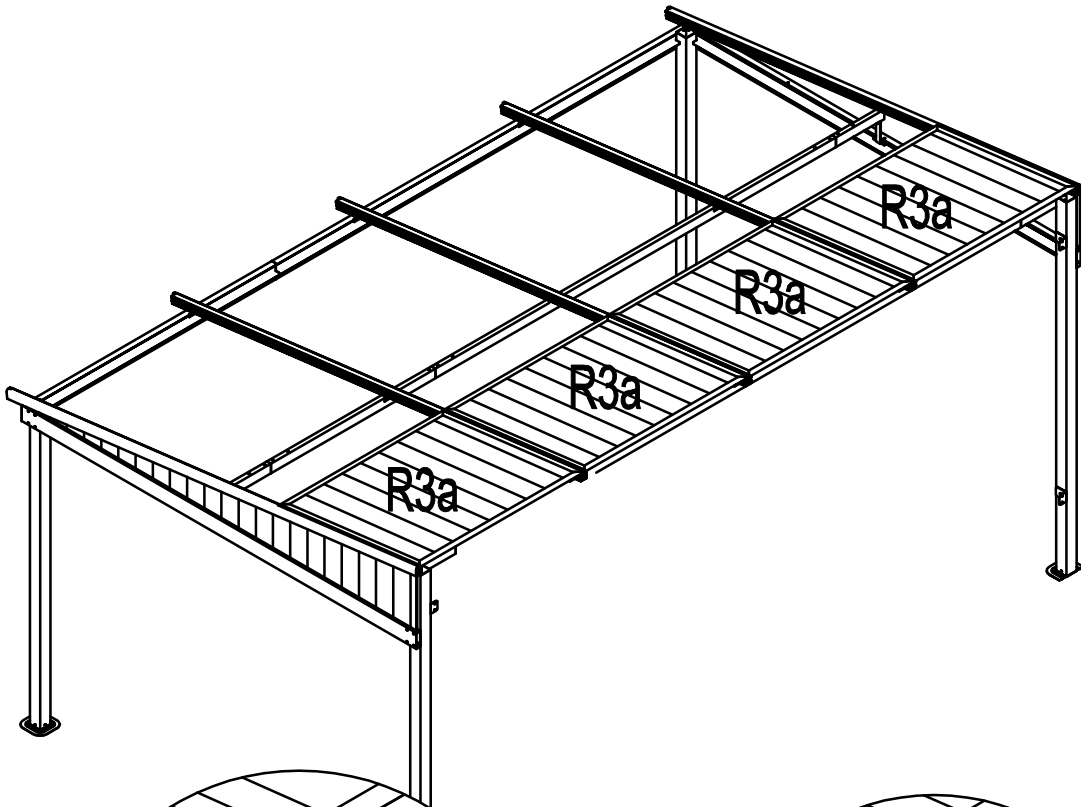
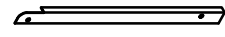
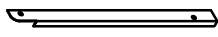
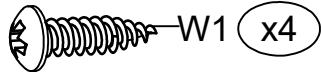
R3b (x4)

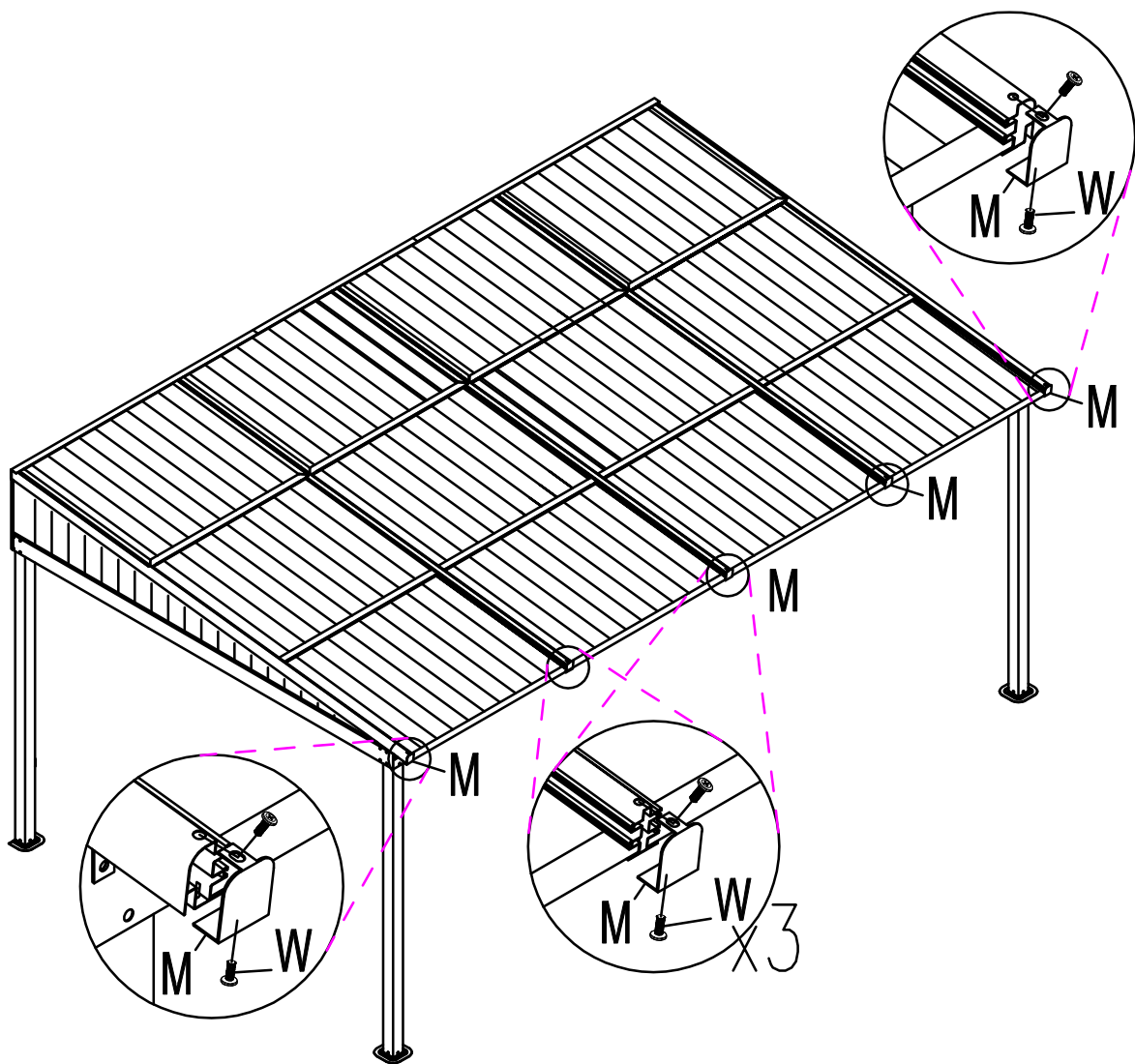
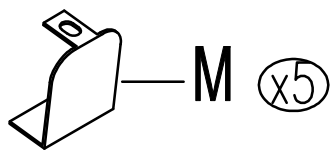


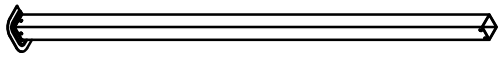
R3c (x4)







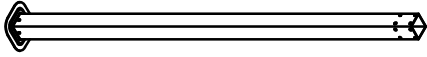




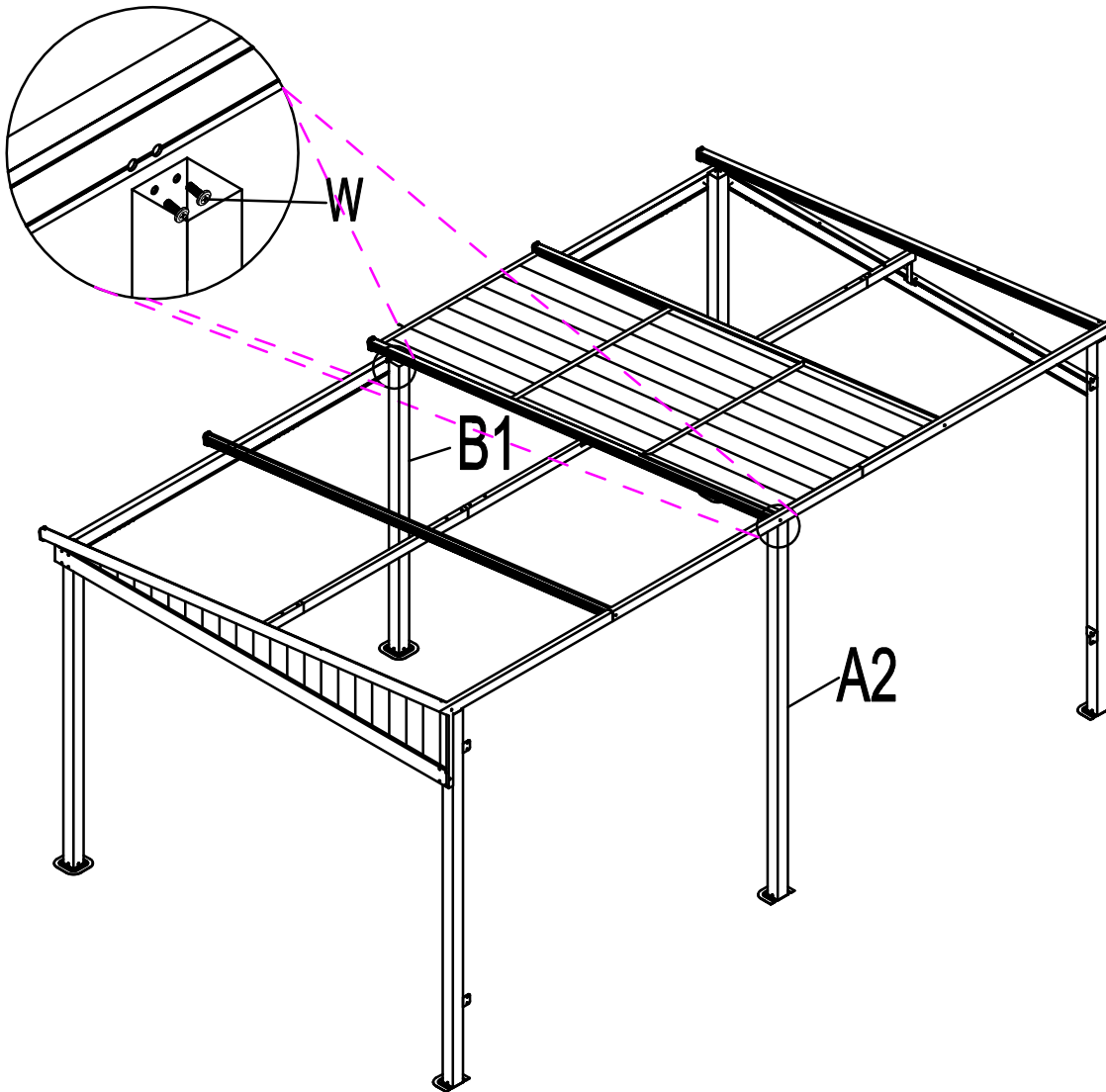
A2 (x1)

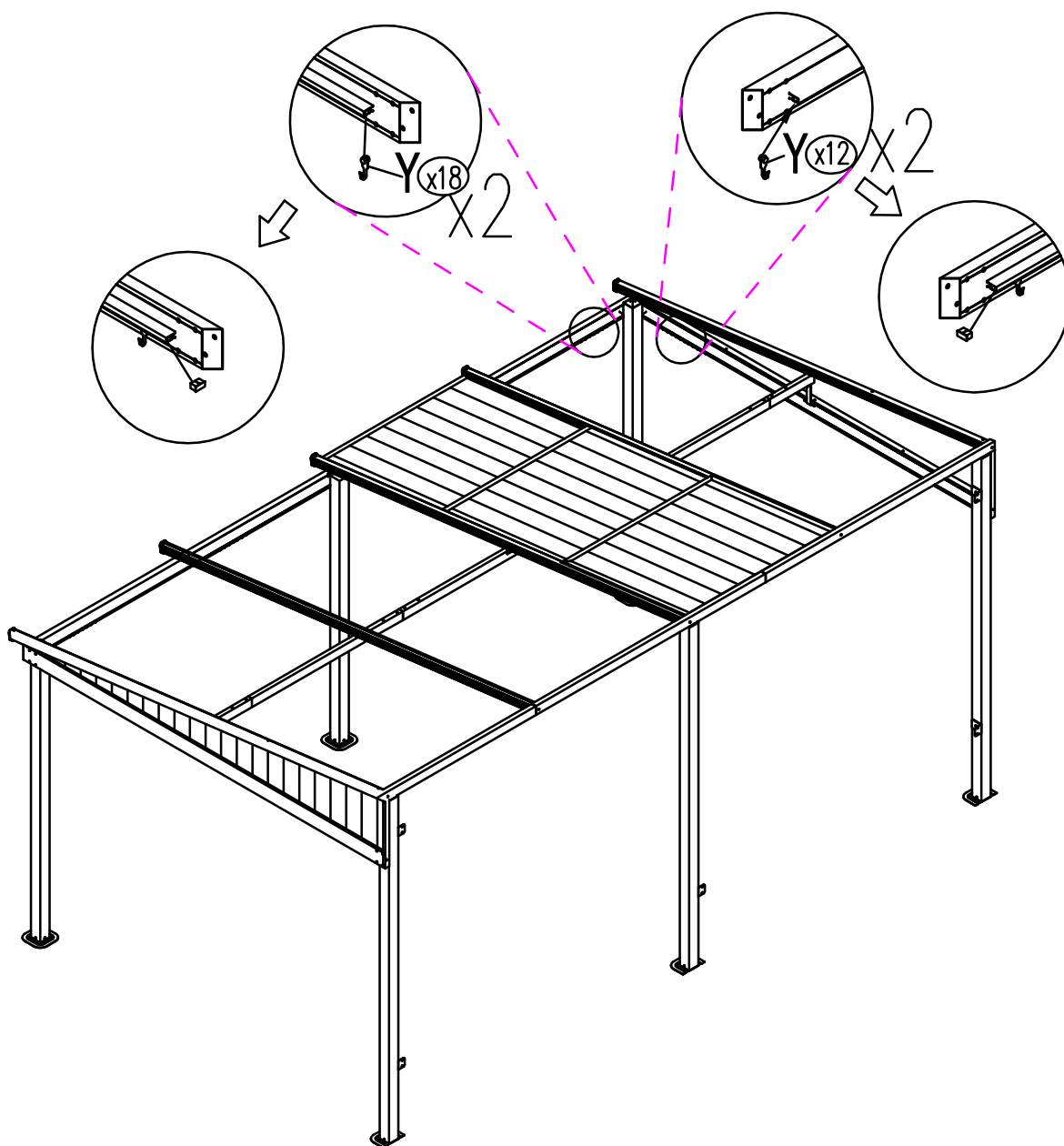
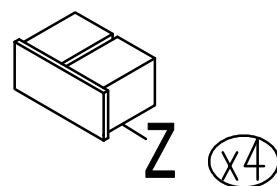
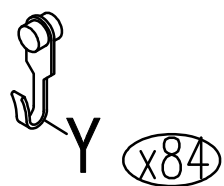


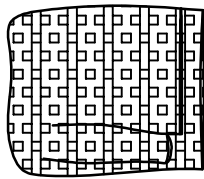
W (x4)



B1 (x1)







S (x4)

