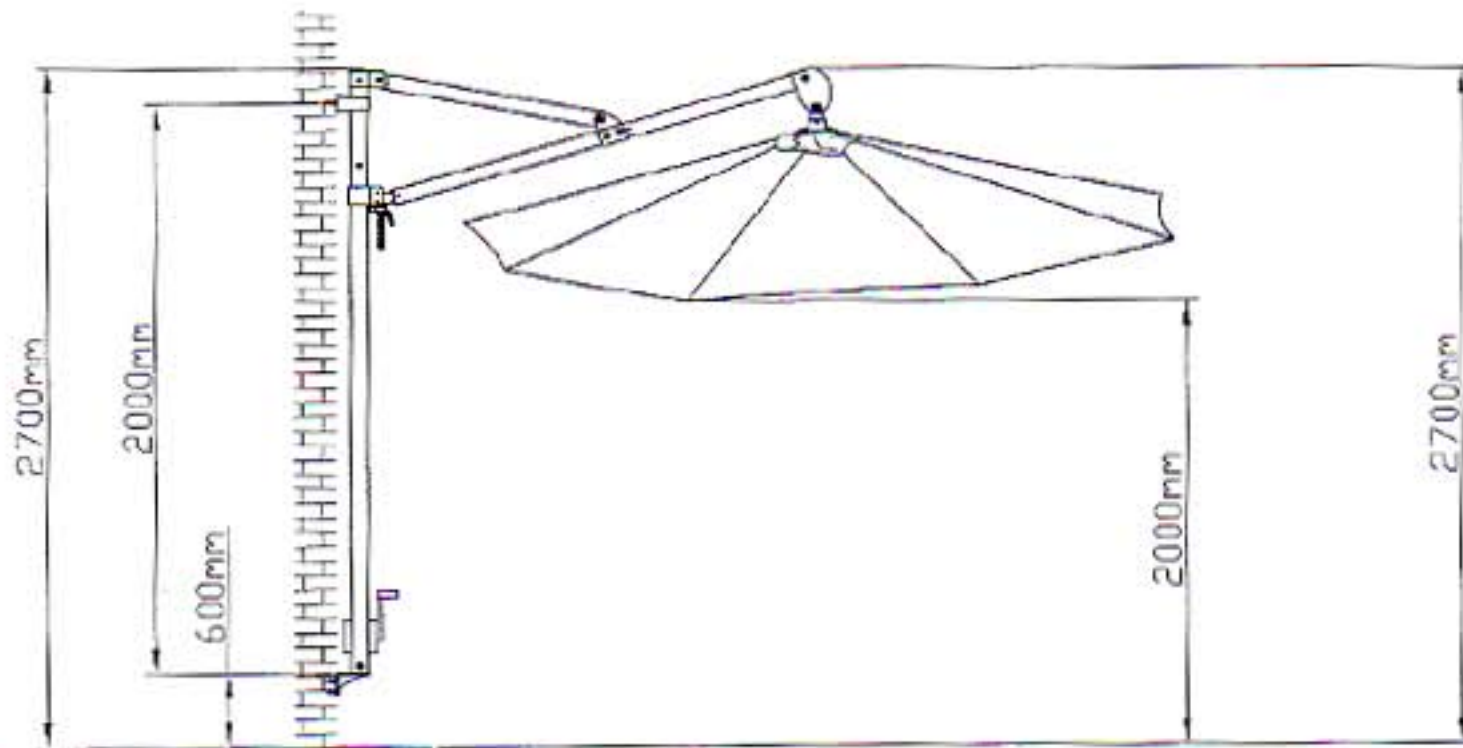


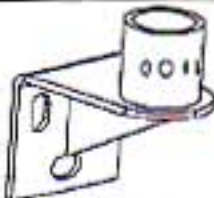



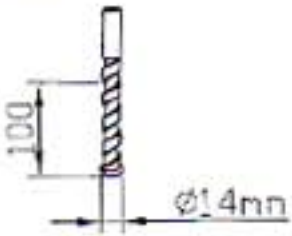


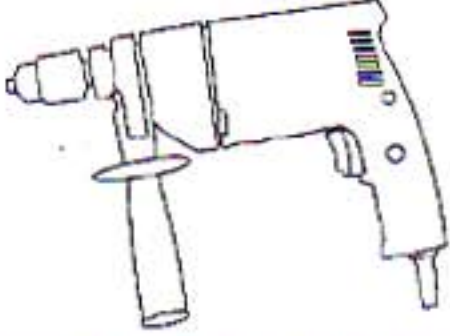
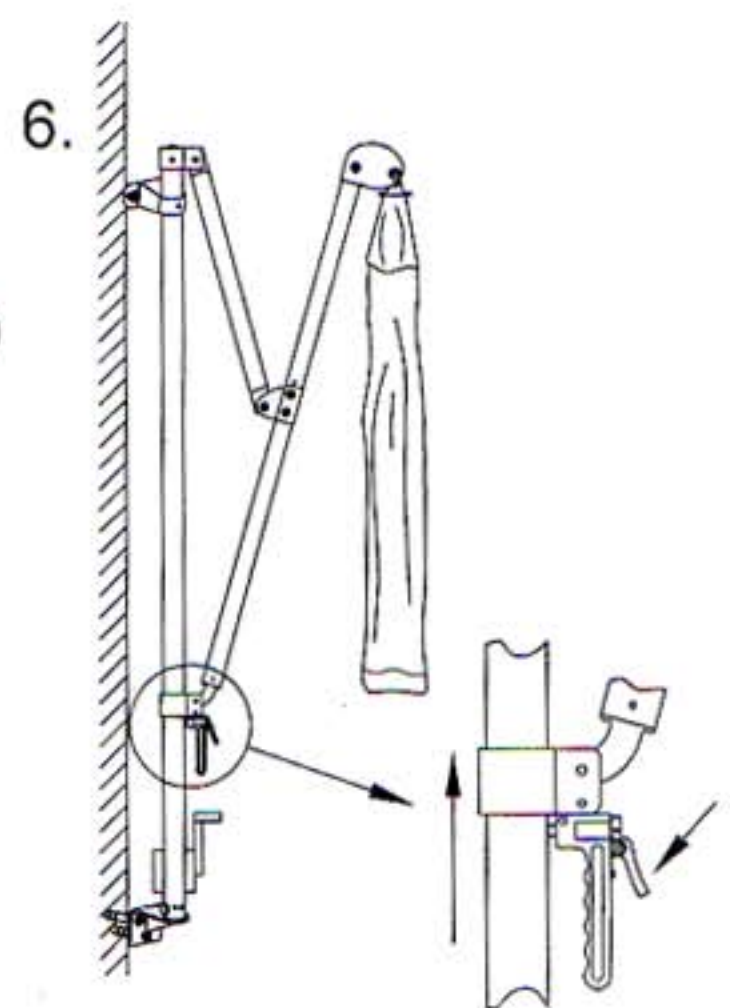
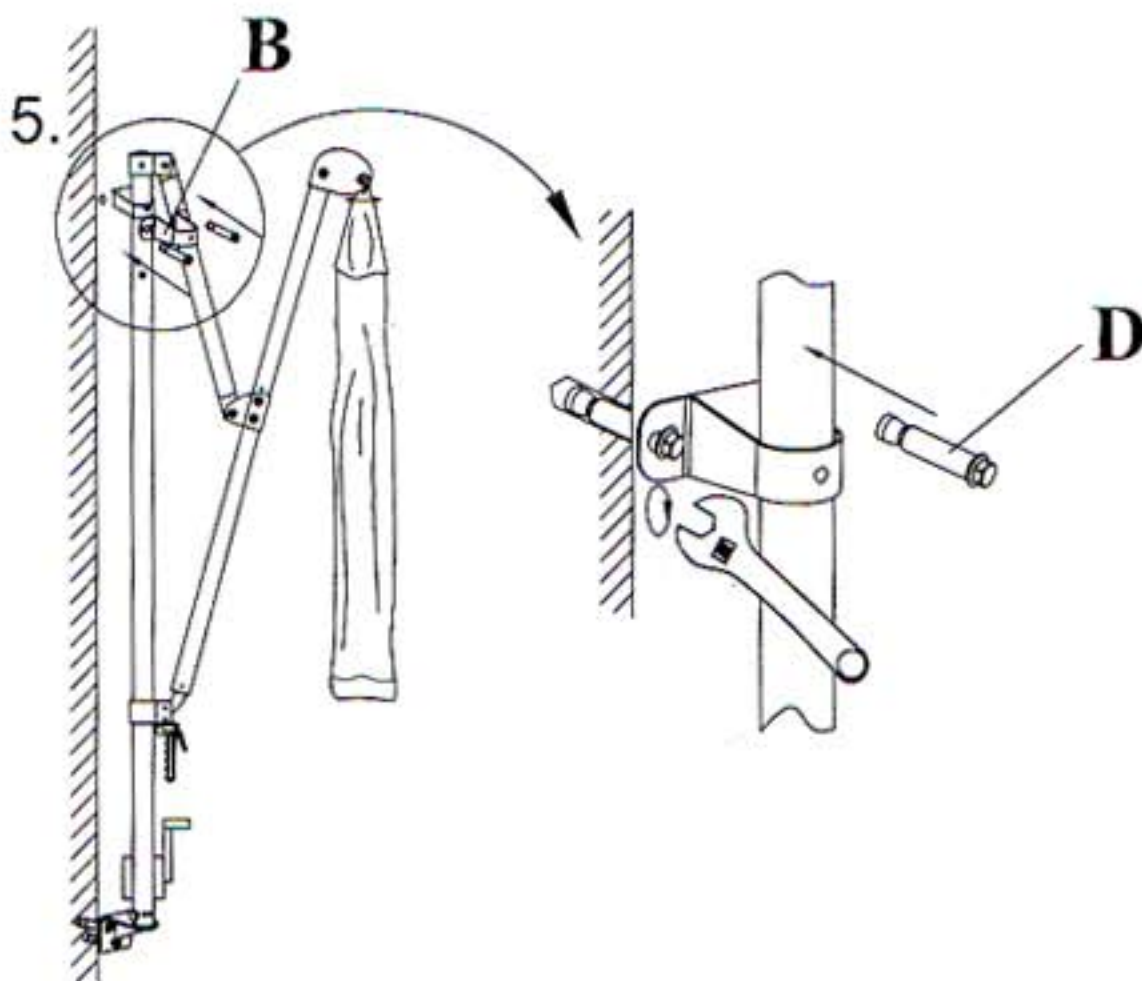
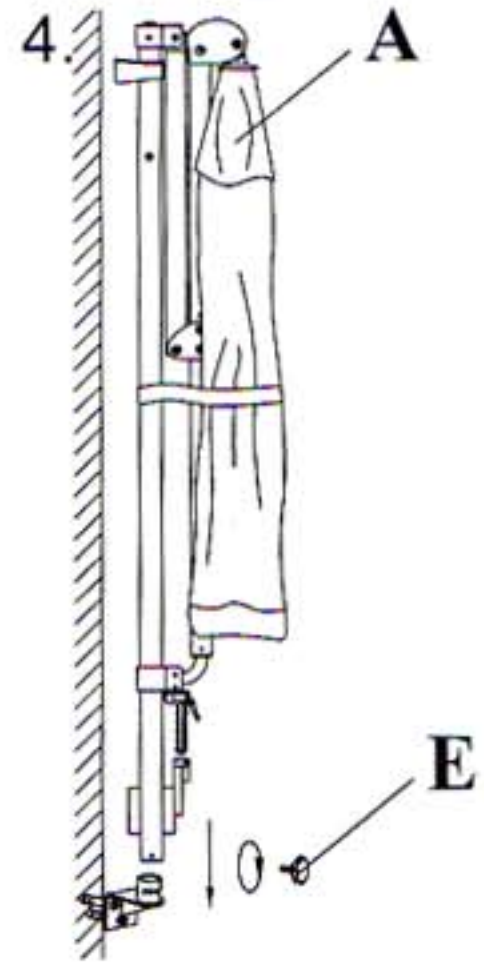
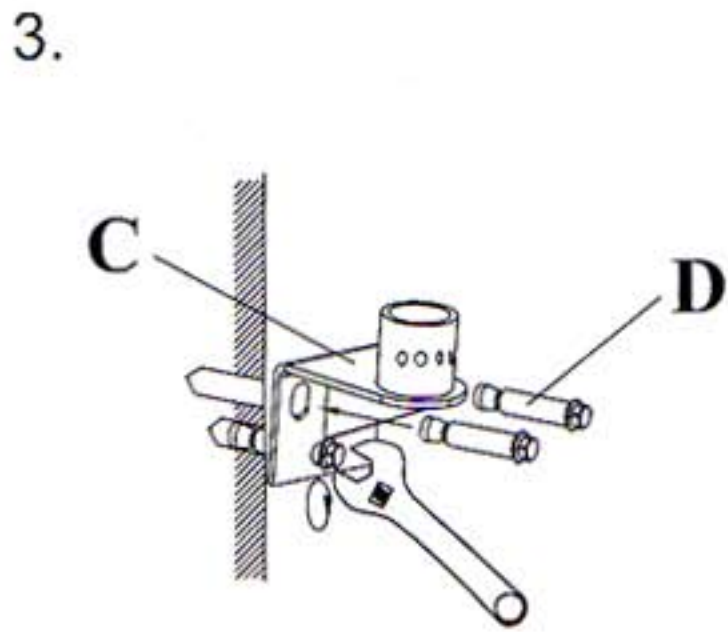
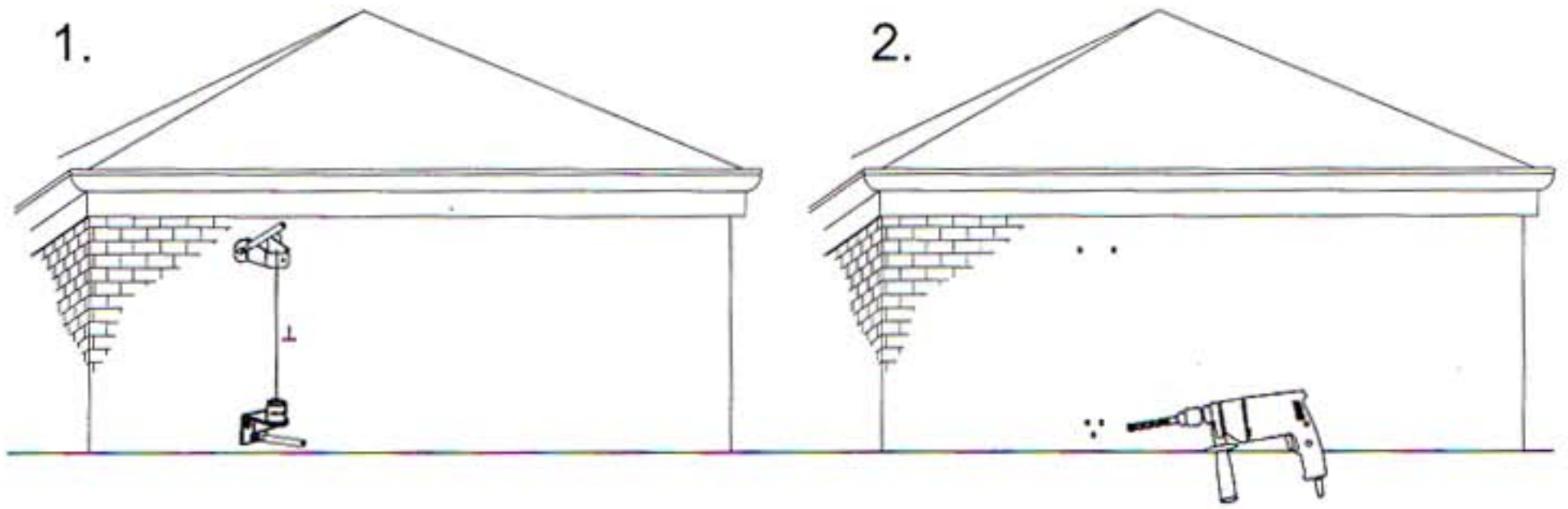


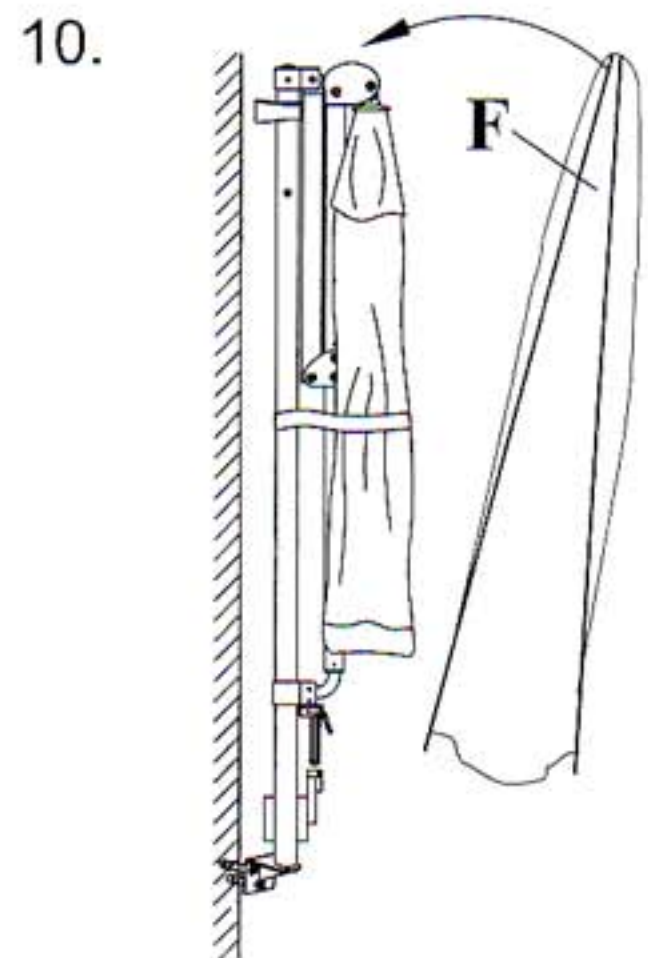
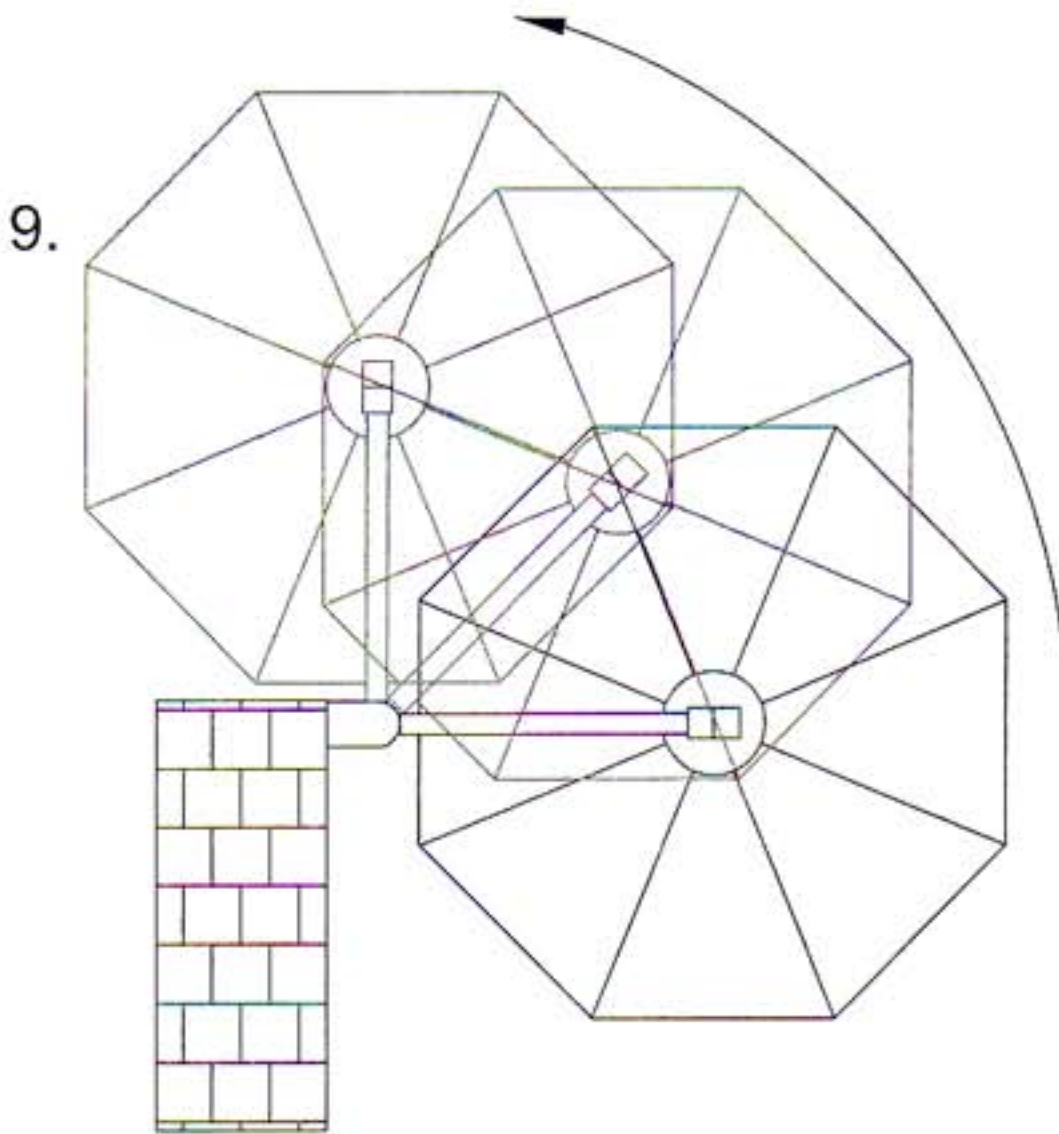
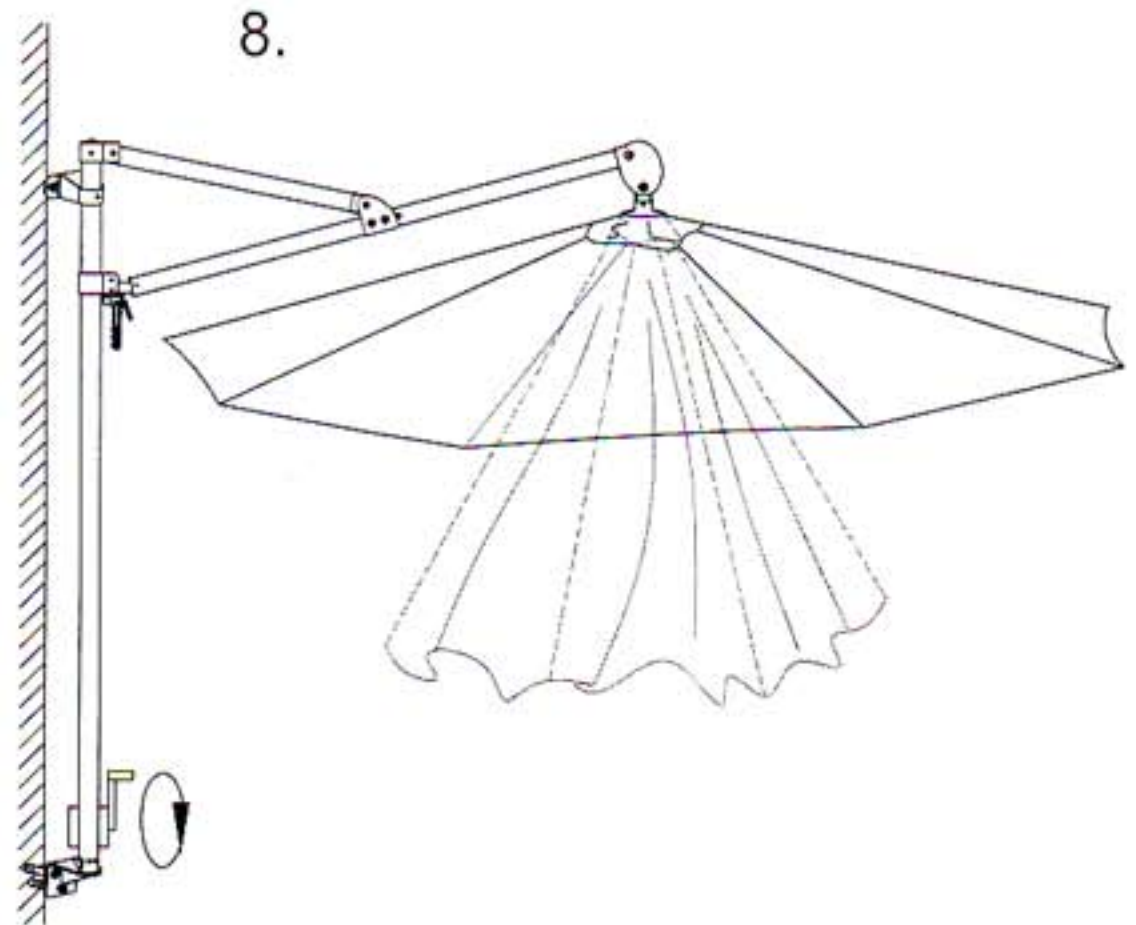
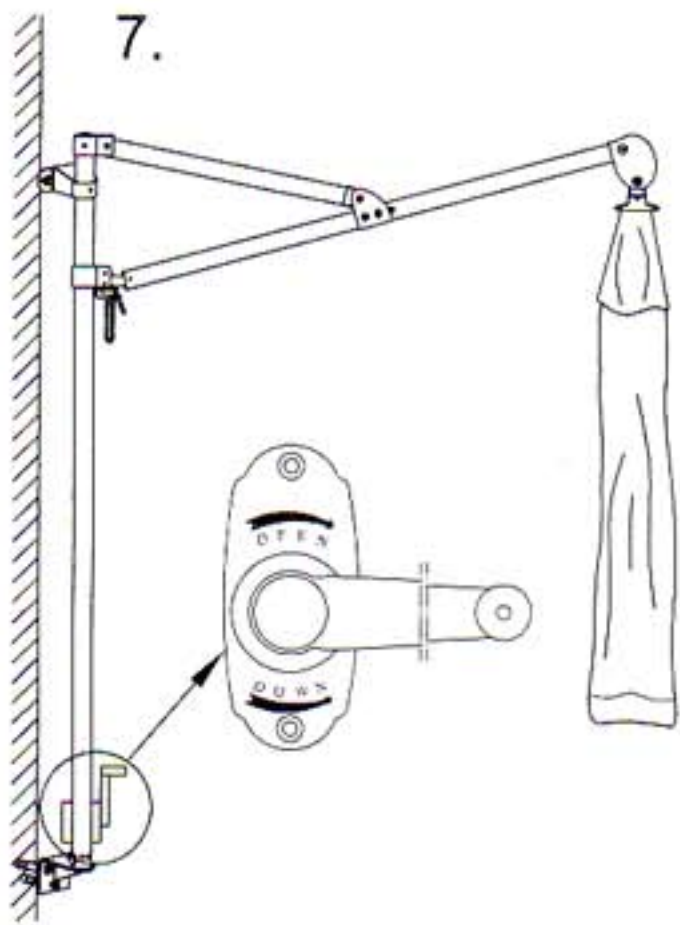
ASSEMBLY INSTRUCTION

TENERIFE WALL PARASOL 3.0M



	PICTURE	QTY
A		1
B		1
C		1
D		5
E		1
F		1
NOT SUPPLIED		
		
		





Customer Care:

Do not use in adverse weather condition. To ensure long life of the parasol, recommend that you store it away during adverse weather condition such as high wind, heavy rain, snow etc...

When the parasol is not in use take protection cover and place over parasol