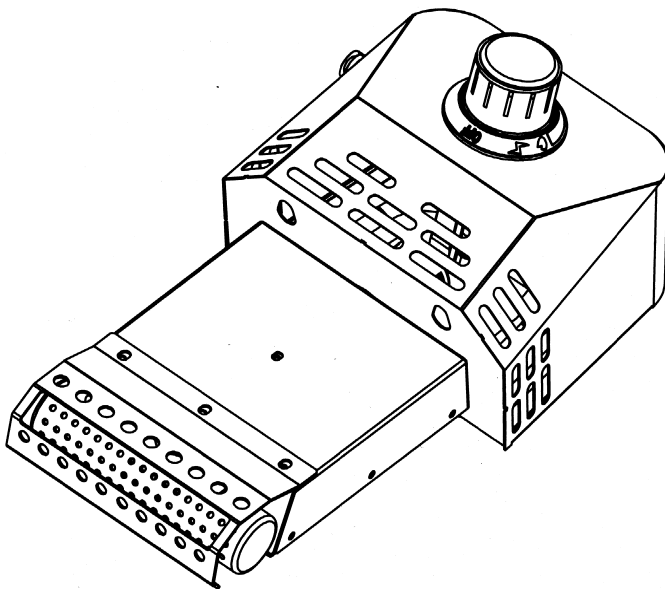


Instruction Manual for GEN004  
Pizza Oven Gas Burner



## Model: P120L2

Category	I3+(28-30/37) ■		I3B/P(30) □	I3B/P(50) □
Type of gas	Butane	Propane	Butane, propane or their mixture	
Gas pressure	28-30 mbar	37 mbar	28-30 mbar	50 mbar
Total heat input	4.4 kW (314g/h)			
Appliance type	A1			
Injector size/markings	1.08mm		1.08mm	0.94mm
Destination countries	BE, CH, CY, CZ, ES, FR, GB, GR, IE, IT, LT, PT, SI		CY, DK, EE, FI, HR, HU, IT, LT, NL, NO, RO, SE, SI, TR	AT, CH, DE
This appliance shall be installed in conformity with the current regulations and used only outdoor. Consult the instructions before installing and using this appliance.				

### WARNING

Spiders and insects can nest inside the burner of the appliance and disrupt gas flow. Inspect the burner at least once a year.

### WARNING

Do not store his appliance indoors unless the gas cylinder is disconnected.

### WARNING

Do not store gas cylinder in a building, garage or any other enclosed area and keep out of reach of children at all times.

### WARNING

This appliance is not intended to be installed in or on recreational vehicles and/or boats.

### WARNING

Check all gas supply fittings for leaks before each use. Do not use the appliance until all connections have been checked and do not leak.

### WARNING

Do not smoke while leak testing. Never leak test with an open flame.

### WARNING

When lighting, keep your face and hands as far away from the appliance as possible.

### WARNING

Minimum clearance from sides of unit to combustible construction is 500mm.  
Minimum clearance from back of unit to combustible construction is 500mm.

### WARNING

To reduce the risk of fire, burn hazard or other injury, read this safety manual carefully and completely before using this appliance.

### WARNING

Before cleaning, make sure the gas supply and control knob is in the OFF position and that the burner and oven has cooled.

Failure to follow these instructions could result in fire, explosion or burn hazard which could cause property damage, personal injury or death.

### WARNING

FOR OUTDOOR USE ONLY.

### DANGER

If you smell gas:

- Shut off gas to the appliance
- Extinguish any open flame
- If the smell persists, keep away from the appliance and immediately call your gas supplier or your fire department.

### WARNING

- a. Keep the fuel supply hose away from any heated surface(s).
- b. The use of alcohol, prescription or non-prescription drugs may impair the consumer's ability to properly assemble or safely operate the appliance.
- c. Keep children and pets away from the appliance at all times.
- d. Do not move the appliance when in use.
- e. This appliance is not intended for and should never be used as a heater.

- The parts which have been sealed by the manufacturer should not be adjusted by the user
- When the appliance is using LPG & LPG cylinder should be used
- The LPG cylinder size: max diameter-390mm, max height-455mm.
- The minimum distances between the appliance and adjacent walls is 0.5m
- The hose for the appliance should not exceed 1.5m
- The gas supply tubing or hose shall comply with the national requirements in the UK
- Force and shall be periodically examined and replaced as necessary.
- The hose should comply with the standard EN16436. The regulator should comply with the standard EN16129.
- The necessity of changing the flexible tube when the national conditions require it, and depending on its validity.
- Check and suitably clean the inside of the oven before it is lit in order to avoid the emission of fire from the oils that have accumulated during previous cooking.
- The burner outlets should be checked for obstruction during previous cooking.
- The burner outlets should be checked for obstruction and cleaned regularly with a soft wire brush.
- It is necessary to avoid obstruction and to allow for a good combustion.
- The position of the connection flexible tube so as to ensure that it is not subjected to twisting.

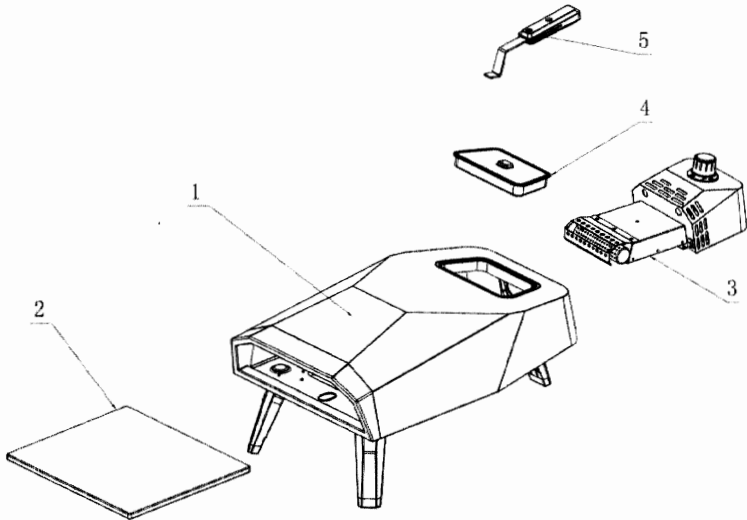
#### **SAFETY PRACTICES TO AVOID INJURY**

When properly cared for, your oven will provide safe, reliable service for many years. However, extreme care must be used as the oven produces intense heat that can increase the risk of accidents.

When using this oven basic practices must be followed, including but not limited to following:

- Do not repair or replace any part of the oven unless specifically recommended in this manual. All other service should be referred to a qualified technician.
  - Children should not be left alone or unattended in an area where the oven is being used. Do not allow children to sit, stand or play around the oven at any time.
  - Never let clothing or other flammables come in contact with or too close to any burner or hot surface until it has cooled. The fabric could ignite, causing serious personal injury.
  - For personal safety, wear proper apparel. Loose fittings garments or sleeves should never be worn while using the oven. Some synthetic fabrics are highly flammable and should not be worn while cooking.
  - Do not heat unopened food containers as a buildup of pressure may cause the containers to burst.
- When lighting the burner, always pay close attention to what you are doing.
- When using the oven, do not touch the outer shell, stone baking board or immediate surroundings as these areas become extremely hot and could cause burns.
  - Do not use the oven to cook extremely fatty meats or other products which increase flare-up.
- Keep the area around the oven free of combustibles, including liquids, garbage, and steam, such as gasoline or charcoal lighter fluid. Do not obstruct the flow of combustion and ventilation air.
  - Never use the oven in extremely windy conditions.
  - The temperature under the oven is high. Do not place the oven on a table with flammable table cloths, plastic or any other inflammable materials.
  - The recommendation of the use of protective gloves when handling particularly hot components.

## DEVICE OVERVIEW AND INDIVIDUAL PARTS



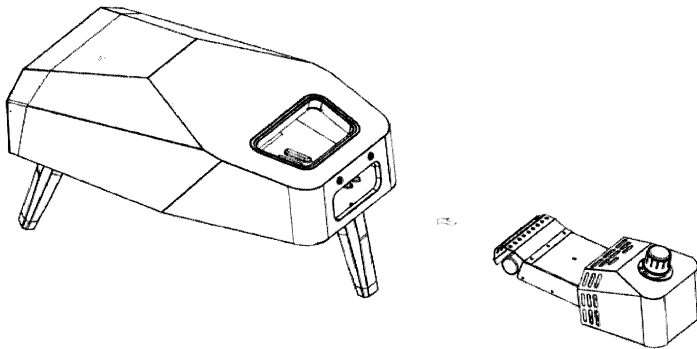
1. GEN002 Pizza Oven \* Not included in this package
2. Cordierite stone baking board \* Not included in this package
3. Gas Burner 1PC
4. Fuel hatch \* Not included in this package
5. handle \* Not included in this package

## ASSEMBLY

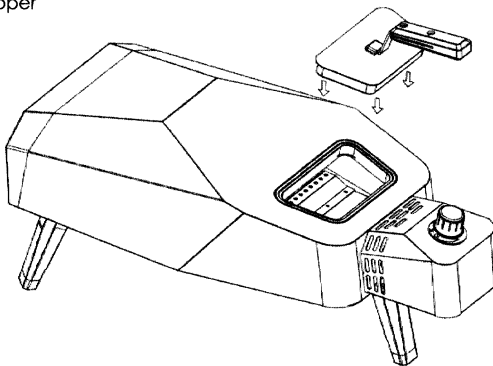
Before assembly, make sure all parts are present. If any part is missing or damaged, do not attempt to assemble the appliance. Contact customer service for replacement parts.

01. Remove the back cover of the pizza oven and insert the gas burner into the socket.

Make the fixture holes and the knobs on the pizza oven are all fixing in place.

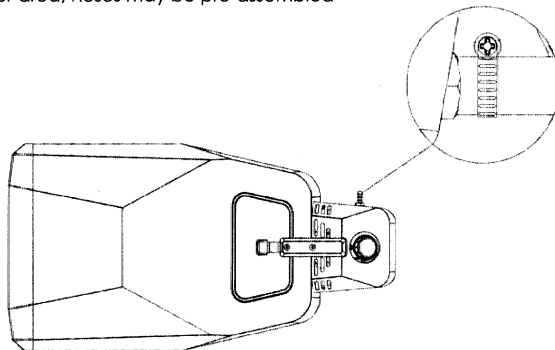


02. Add fuel hopper



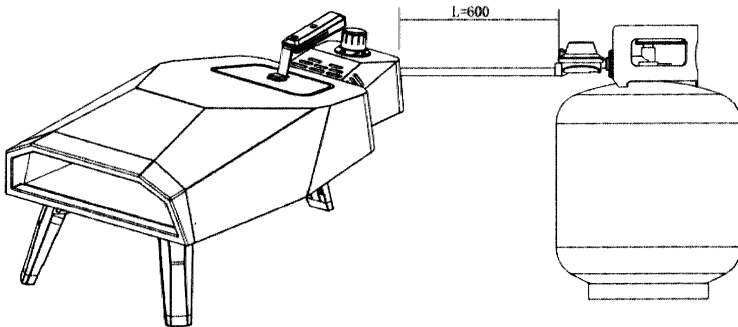
03. Connect the gas hose to the P140H

\* Depending on your area, hoses may be pre-assembled



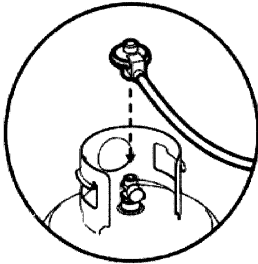
04. Connect the regulator and gas cylinder.

The minimum distance between the equipment and the cylinder is 0.6 m



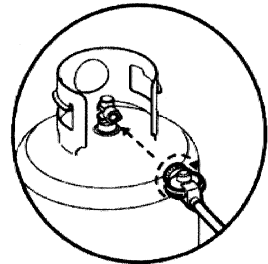
**WARNING**

- Please always keep the gas bottle in upright position.
- The size for 20 lbs LP gas cylinder is 390mm in diameter and 455mm tall
- If the appliance is not in use, the gas must be turned off at the supply cylinder.
- The cylinder used must include a collar to protect the cylinder valve.
- The minimum distance for the appliance and the 20lb gas tank is 600mm apart.
- when changing the gas cylinder which shall be carried away from any source of ignition
- The absolute necessity of not obstructing the ventilation openings of the cylinder compartment



**PATIO GAS REGULATOR**

This is a push-on gas fitting. Ensure that the black switch is in the horizontal position. Depress the button located below the black switch and press the regulator on to the tank valve until it locks into place.



**POL GAS REGULATOR**

This gas fitting is counterclockwise. Make sure that the tank is completely switched off and screw the regulator as far as possible into the gas tank valve.

## CONNECTING THE LIQUID PROPANE GAS CYLINDER

- 1.To connect the liquid propane gas cylinder:
- 2.The cylinder valve should be in OFF position.
- 3.Make sure the burner valve is in OFF position.
- 4.Inspect the valve connections, port and regulator assembly. Remove debris and inspect the hose for damage.
- 5.When connecting the regulator assembly to the valve, use your hand to tighten the nut clockwise until it stops. Use of a wrench could damage the quick coupling nut and result in a hazardous situation.
- 6.Open the cylinder valve fully by turning the valve counterclockwise.
- 7.Before lighting the oven, use a soap and water solution to check all connections for leaks.
- 8.If a leak is found, turn the cylinder valve OFF, and do not use the oven until local liquid propane dealer can make repairs.

## DISCONNECTING THE LIQUID PROPANE GAS CYLINDER

- 1.Turn the oven burner valve OFF and make sure the oven is cool.
- 2.Turn the liquid propane cylinder valve OFF by turning clockwise until it stops.
- 3.Detach the regulator assembly from the cylinder valve by turning the quick coupling nut counterclockwise.
- 4.Place dust cap for cylinder valve outlet whenever the cylinder is not in use.

## LEAK TESTING

### GENERAL

Although the gas connections of the appliance are leak tested prior packing and shipment, a complete test must be performed at the installation site.

Before each use, check all the gas connections for leak testing using the procedure listed below. If the smell of gas is detected at any time, you should immediately stop using and check the entire system for leaks.

### BEFORE TESTING

Make sure all packing material has been removed from the appliance.

Make a solution of one part liquid detergent and one part water. You will need a spray bottle, brush or rag to apply the solution to the fittings.

### TO TEST

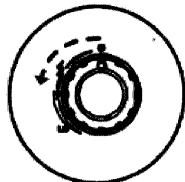
- 1.Turn the burner valve OFF
- 2.Turn the liquid propane cylinder valve on counterclockwise to open the valve.
- 3.Apply the soap solution to all gas fittings. Soap bubbles would appear where a leak is present.
- 4.If a leak is present, immediately turn the gas supply OFF and tighten leaky fittings.
- 5.Turn the gas back ON and recheck.
- 6.Should the gas continue to leak from any of the fittings, turn the gas supply OFF and contact customer service.

## OPERATING INSTRUCTIONS

### USING THE OVEN

Each burner is rated at 4.4KW. To begin:

- 1.Make sure the oven has been leak tested and properly placed.
- 2.Remove any remaining packing material.
- 3.Light the burner using the LIGHTING INSTRUCTIONS below

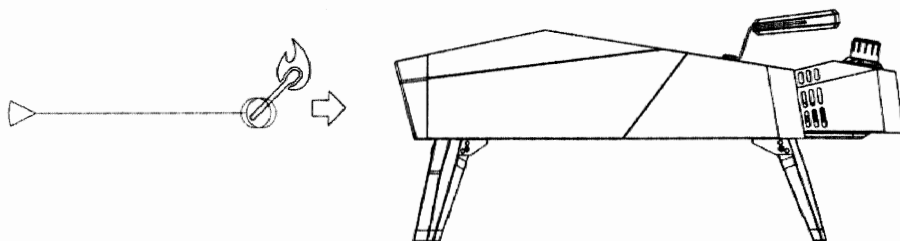


## LIGHTING INSTRUCTION TO LIGHT THE BURNER

1. Make sure the control knob is in OFF position, and then turn the liquid propane cylinder valve ON by slowly turning counterclockwise.
2. Push in and slowly turn the control knob anticlockwise until you hear a click and the burner ignites.
3. If burner doesn't light, turn the knob OFF, wait 5 minutes and repeat the lighting.

## TO LIGHT WITH A MATCH

1. If burner will not light after several attempts using the control knob, the burner may be lit with a match.
2. If you have already attempted to light the burner using the control knob, wait 5 minutes for any gas to dissipate.
3. Insert a match into the matchstick holder, ignite the match and insert through the oven opening to the burner.
4. Push and turn the control knob to HI slowly, the burner should ignite immediately.
5. If the burner does not light within seconds, turn the control knob OFF and wait 5 minutes and try again.



## CARE AND MAINTENANCE

Store P120L2 out of direct sunlight and indoors where possible and when storing for extended periods of time.

P120L2 should not be exposed to harsh weather conditions such as snow, heavy rain and strong winds.

Wait for P120L2 to cool completely before moving

The outer shell of P120L2 may fade over time and through use. This will not affect performance.

## STONE BAKING BOARD

1. DO NOT use the stone over an open flame
2. Avoid extreme temperature change to the stone. DO NOT place frozen foods on a hot stone
3. The stone is fragile and can break if bumped or dropped
4. The stone is very hot during use and stays hot for a long time after use.
5. DO NOT cool the stone with water when the stone is hot
6. After cleaning the stone with water, please dry the stone before use. This can be done in a conventional oven at 60°C (140°F) for 2 hours.



## TROUBLESHOOTING

Problem	Possible Cause	Prevention/Solution
Burner will not light	<ol style="list-style-type: none"> <li>1. No gas flow</li> <li>2. Coupling nut and regulator not fully connected</li> <li>3. Obstruction of gas flow</li> <li>4. Disengagement of burner to valve</li> <li>5. Incorrect assembly</li> </ol>	<ol style="list-style-type: none"> <li>1. Check to see if propane tank is empty</li> <li>2. Turn the coupling nut about one-half to three quarters additional turn until solid stop. Tighten by hand only – do not use tools</li> <li>3. Clear burner tube</li> <li>4. Reengage burner and valve</li> <li>5. Check steps in assembly instructions</li> </ol>
Sudden drop in gas flow or low flame	<ol style="list-style-type: none"> <li>1. Out of gas</li> </ol>	<ol style="list-style-type: none"> <li>1. Check for gas in propane tank</li> <li>2. Turn off gas control knob, wait 30 seconds and light oven. If flames are still low, turn off gas control knob and propane tank valve. Disconnect regulator. Reconnect regulator and leak test. Turn on propane tank valve, wait 30 seconds and then light oven.</li> </ol>
Flames blow out	<ol style="list-style-type: none"> <li>1. High or gusting winds</li> <li>2. Low on propane gas</li> </ol>	<ol style="list-style-type: none"> <li>1. Turn front of oven away from wind</li> <li>2. Refill propane tank</li> <li>3. Refer to Sudden drop in gas flow above</li> </ol>
Flare-up	<ol style="list-style-type: none"> <li>1. Grease buildup</li> <li>2. Excessive fat in meat</li> <li>3. Excessive cooking temperature</li> <li>4. Excess flour on the cooking surface</li> </ol>	<ol style="list-style-type: none"> <li>1. Clean oven</li> <li>2. Trim fats from meat before cooking</li> <li>3. Adjust (lower) temperature accordingly</li> <li>4. Brush remnant flour from cooking surface</li> <li>5. Flip stone</li> </ol>