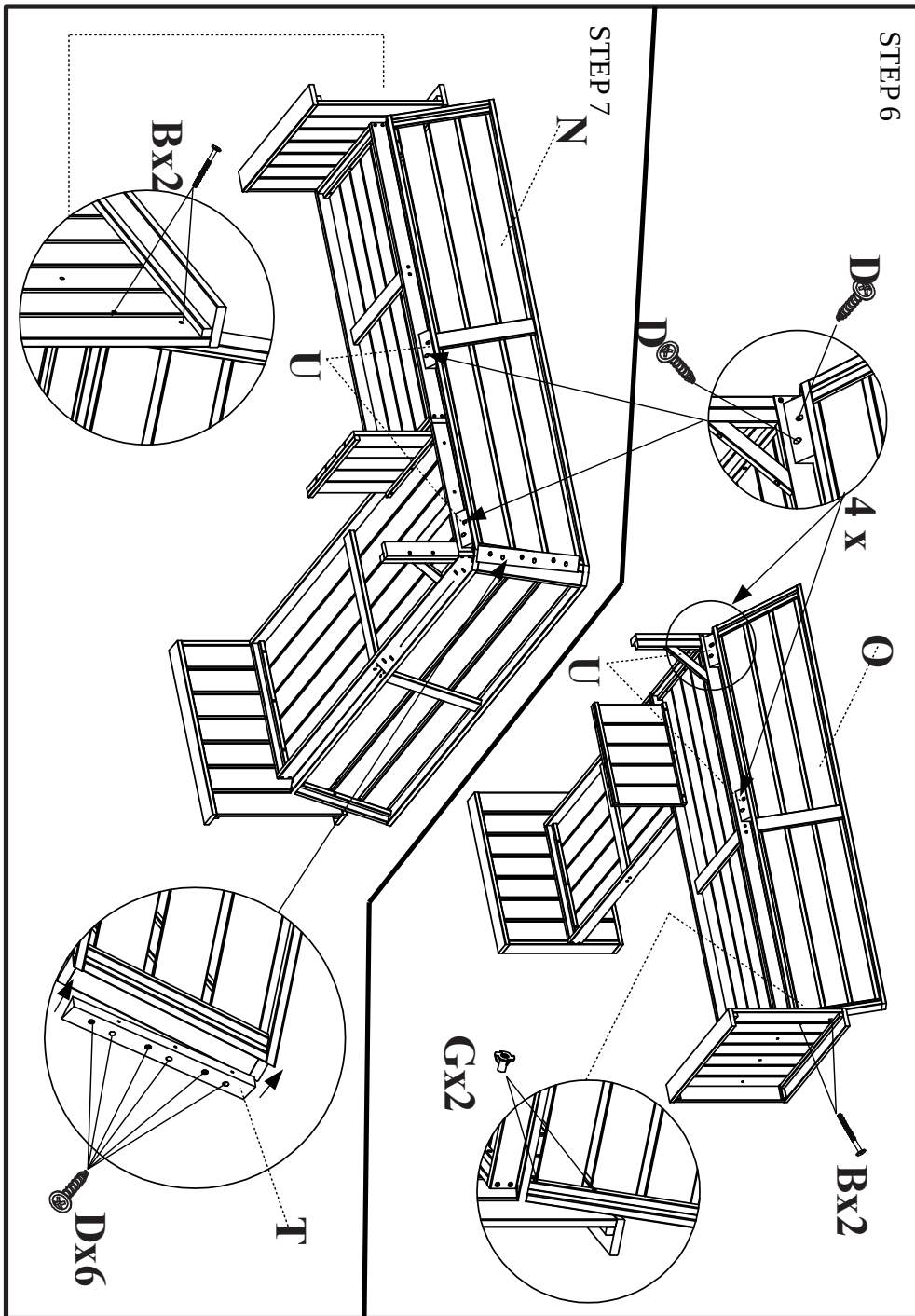


**CORNER 2,1 x 2,1M**  
210x210x78cm



# ASSEMBLY INSTRUCTION

READ IN FULL BEFORE COMMENCING ASSEMBLY

Thank you for purchasing the Corner 2,1 x 2,1 M.

## SAFETY NOTE:

READ INSTRUCTIONS IN FULL BEFORE COMMENCING ASSEMBLY.

This table is very heavy and TWO PEOPLE are required to assemble and lift the table. ALWAYS LIFT the table while moving. DO NOT DRAG the table as it may damage the legs.

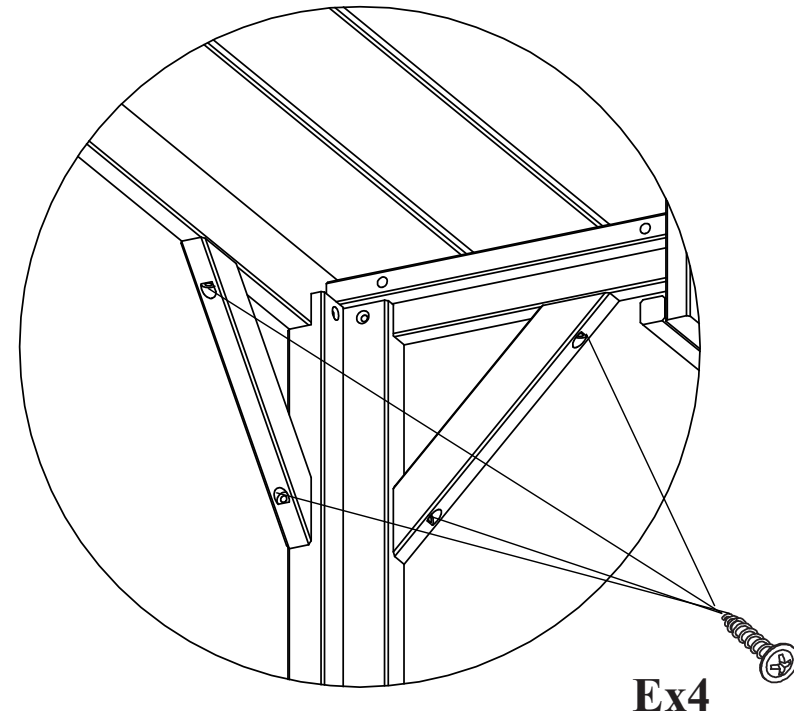
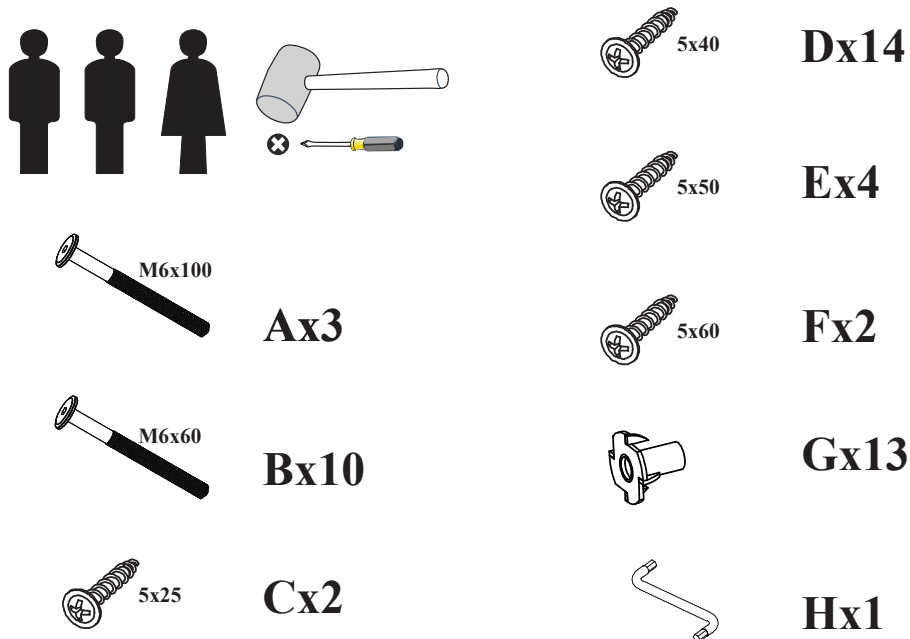
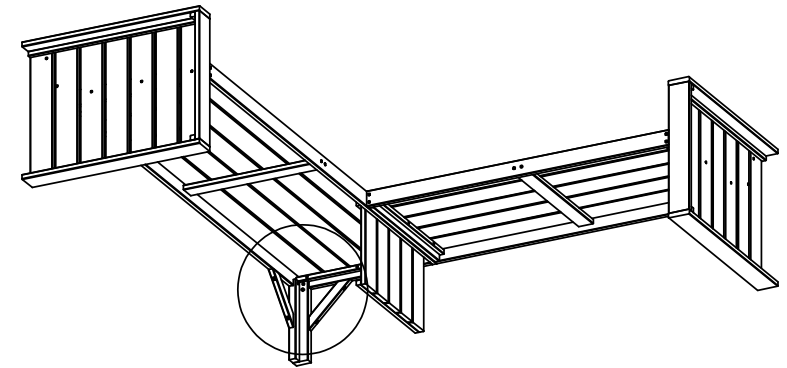
## INFORMATION ABOUT YOUR PICNIC TABLE:

Your table is made of FSC certified pine. The timber has been impregnated to protect your furniture against rot, mould, as well as insects (larva). The timber is kiln dried and pre-treated to category 3, giving a 10-year plus life span. As part of the weathering process cracks will appear, this is the normal behavior of the timber and the furniture is designed with this in mind with its strength and durability remaining unaffected.

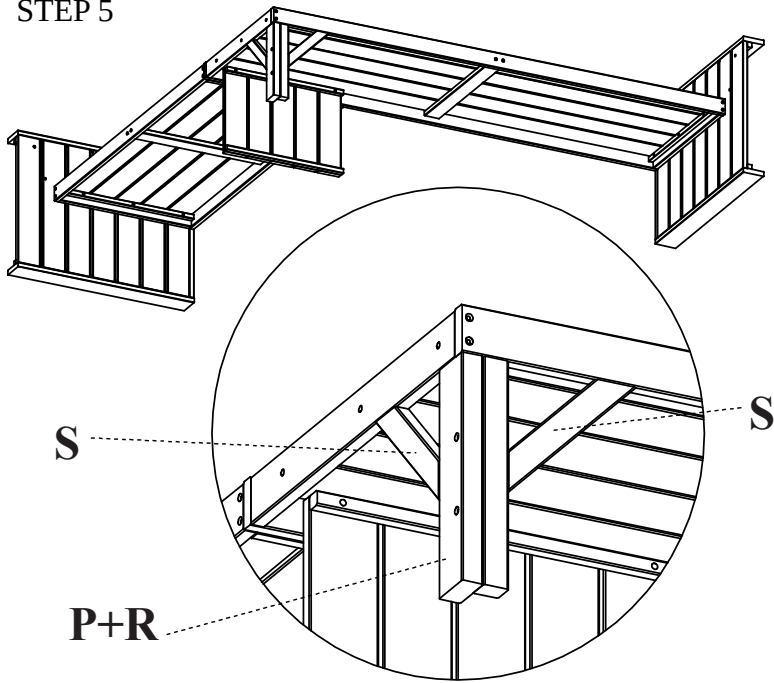
## MAINTENANCE:

It is recommended to regularly sweep dust and remove any stains. The table can be cleaned using soapy water and a stiff brush. Allow the timber to dry before applying any preservative. More severe stains, such as bird droppings or mould, can be removed by using a timber cleaner. Alternatively a medium grit sandpaper can be used. It is strongly advised to treat your furniture annually with a good quality softwood timber preservative. Otherwise the timber will rot.

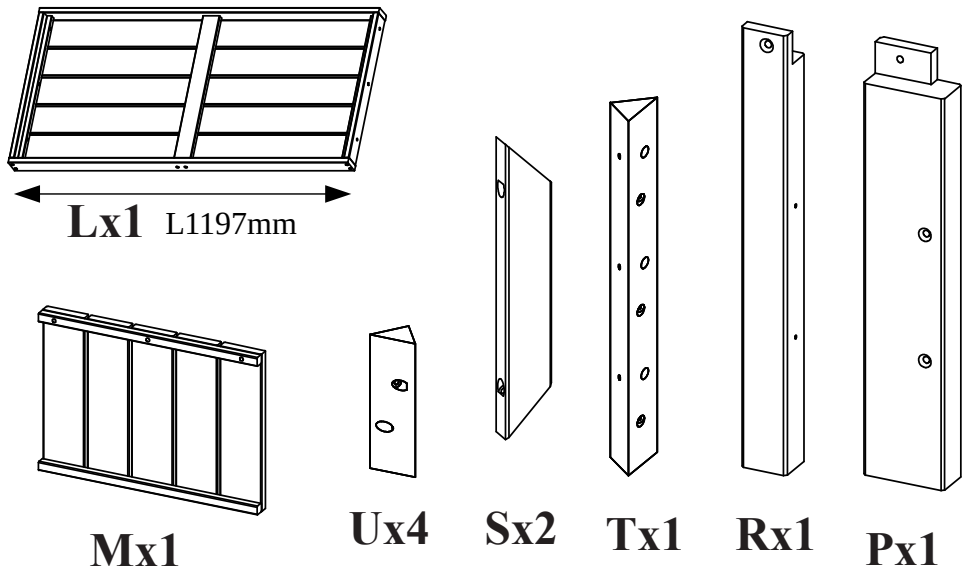
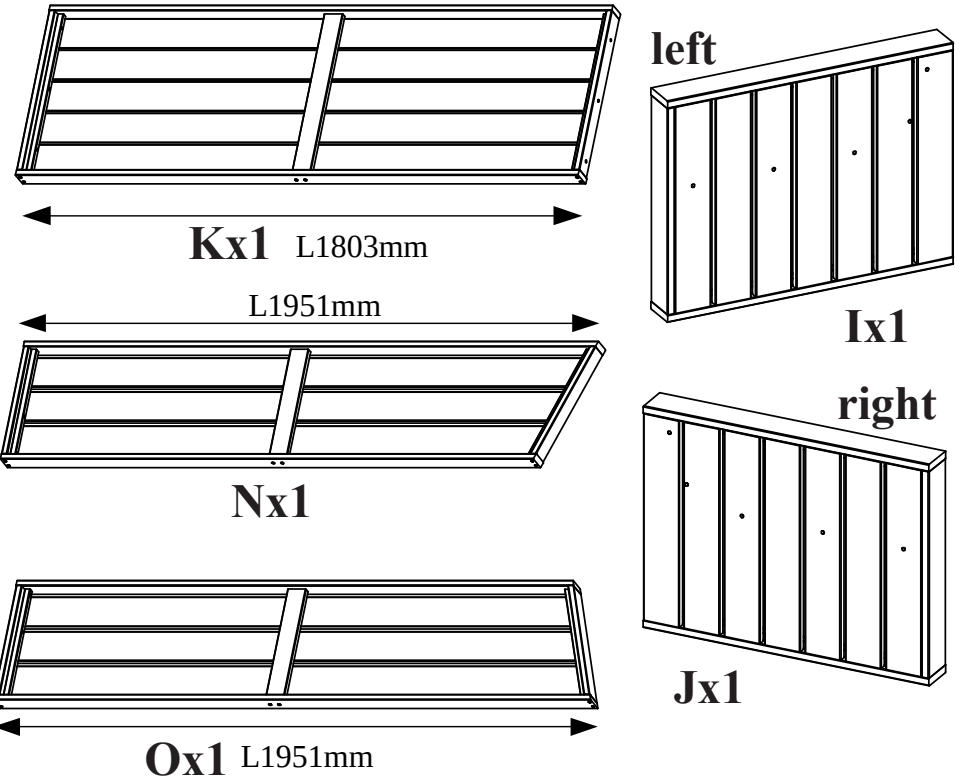
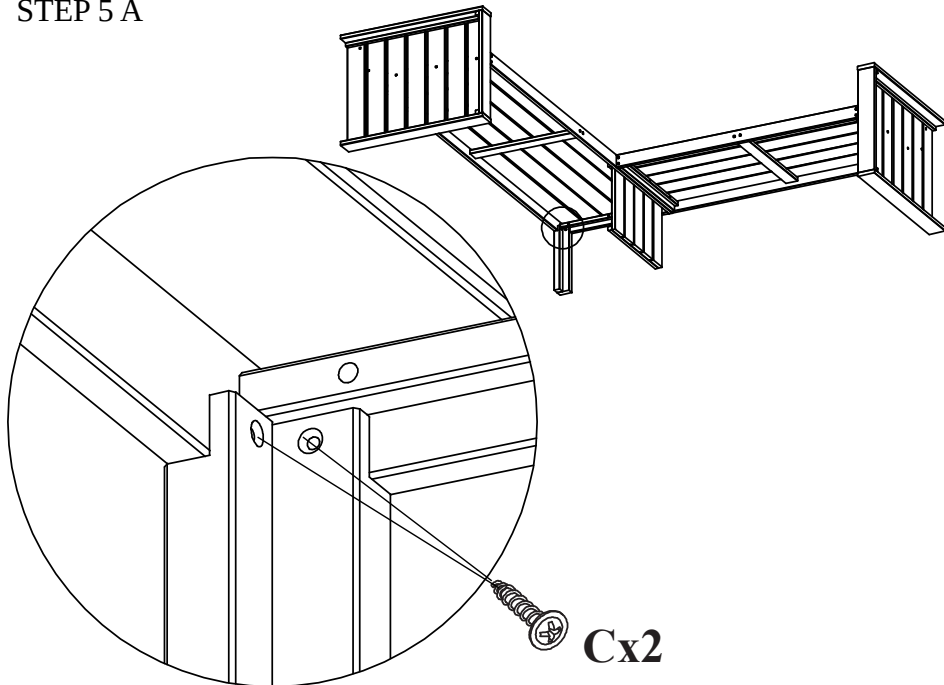
## STEP 5 B



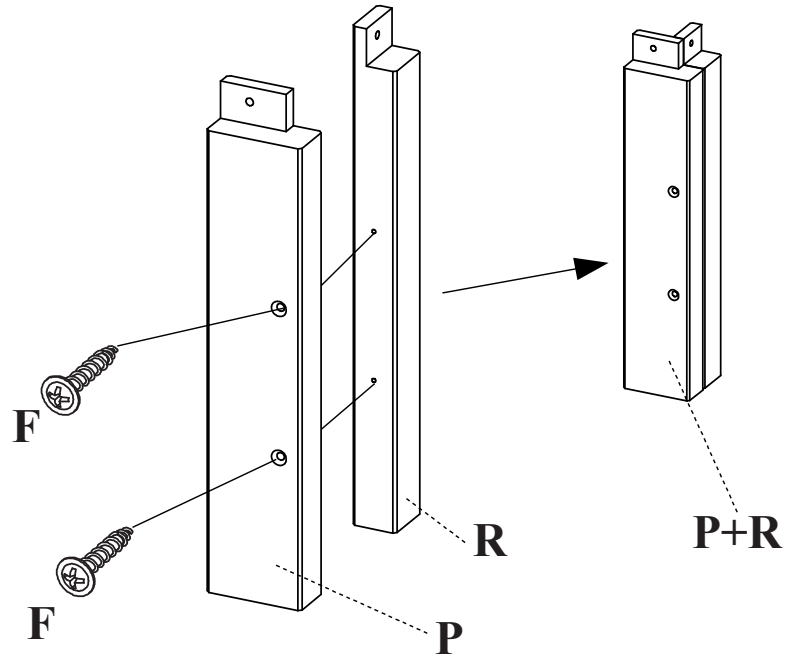
STEP 5



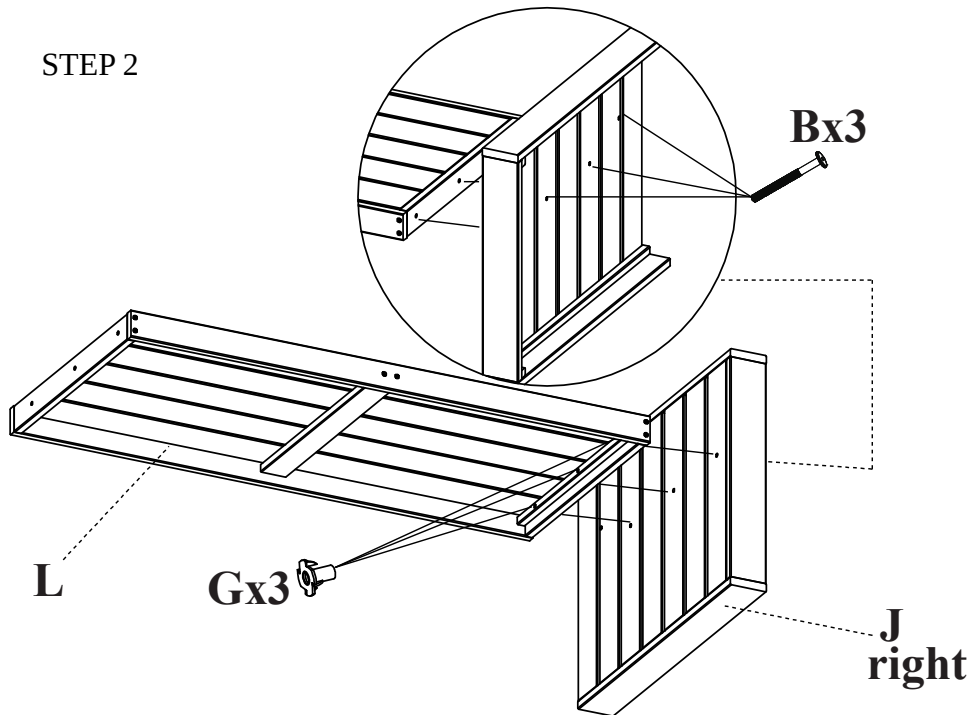
STEP 5 A



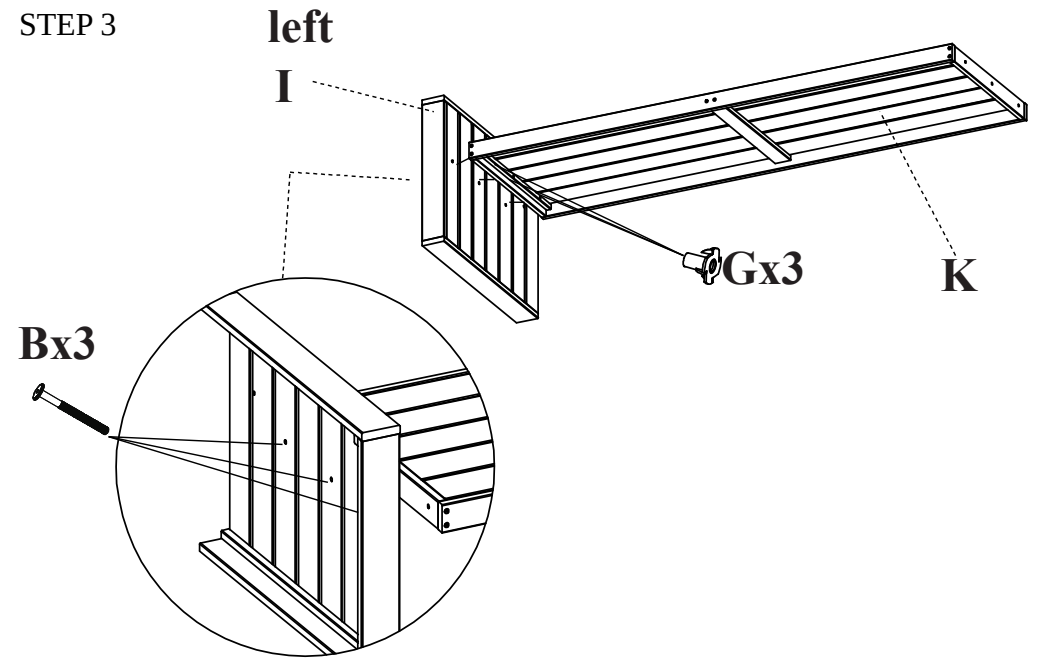
STEP 1



STEP 2



STEP 3



STEP 4

