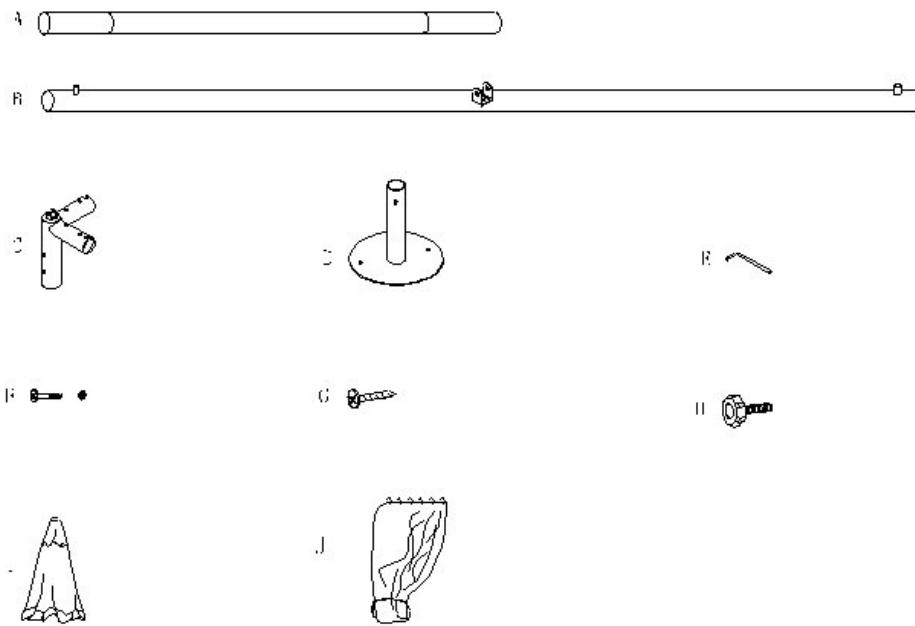
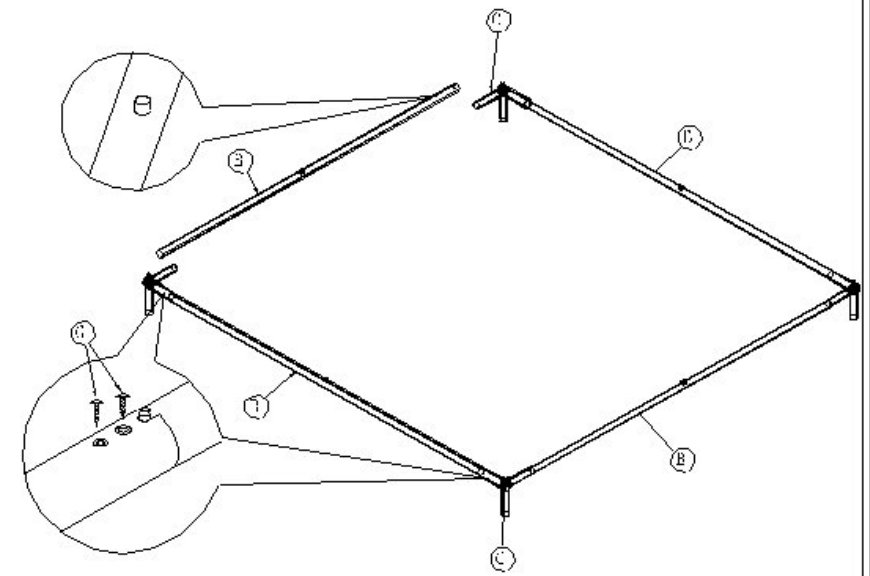


ASSEMBLY INSTRUCTION FOR GAZEBO 3x3

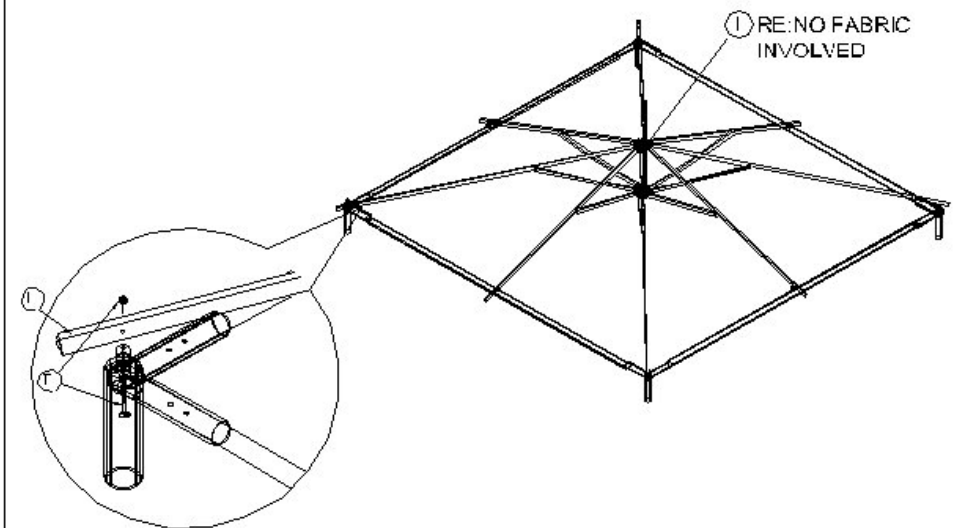


Sep.	Pcs.	Component Description	Sep.	Pcs.	Component Description
A	4	Pole	F	8	Bolt and Nut (35x26mm)
B	4	Beam	G	24	Wood Screws (D. 4x20mm)
C	4	3-Way Connector Tube	H	1	Nut
D	4	Base	I	1	Canopy
E	8	7 Pin for Base	J	1	Corner Fabric Panel

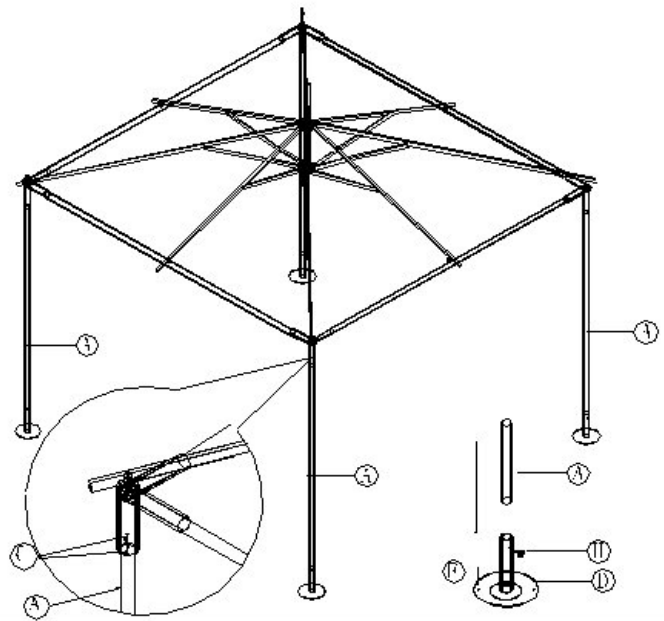
Step 1



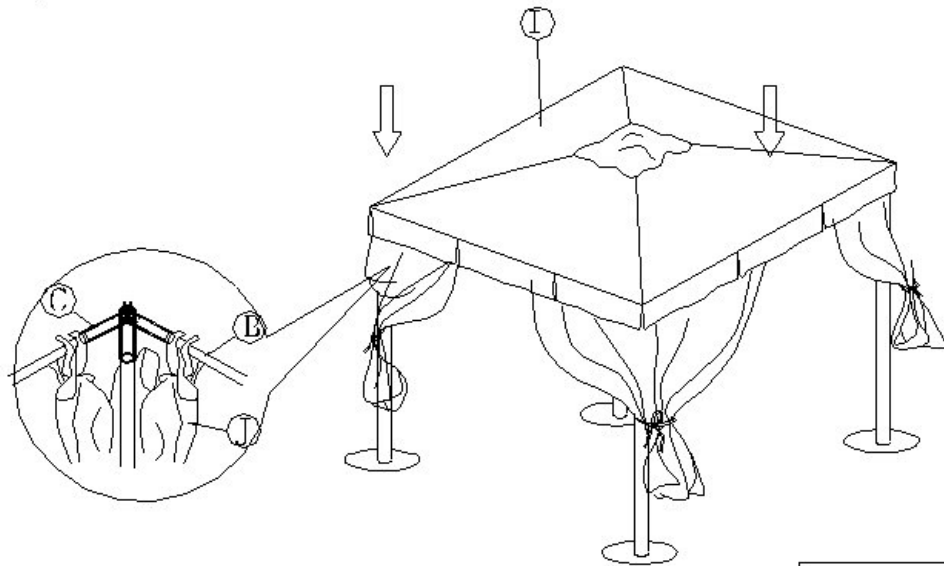
Step 2



Step 3

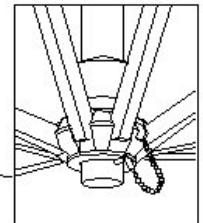
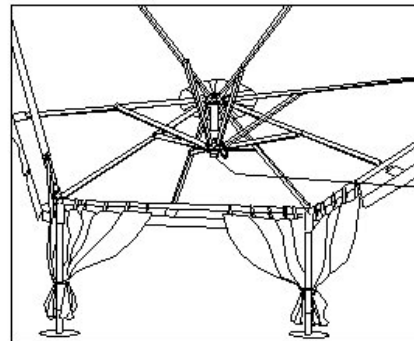
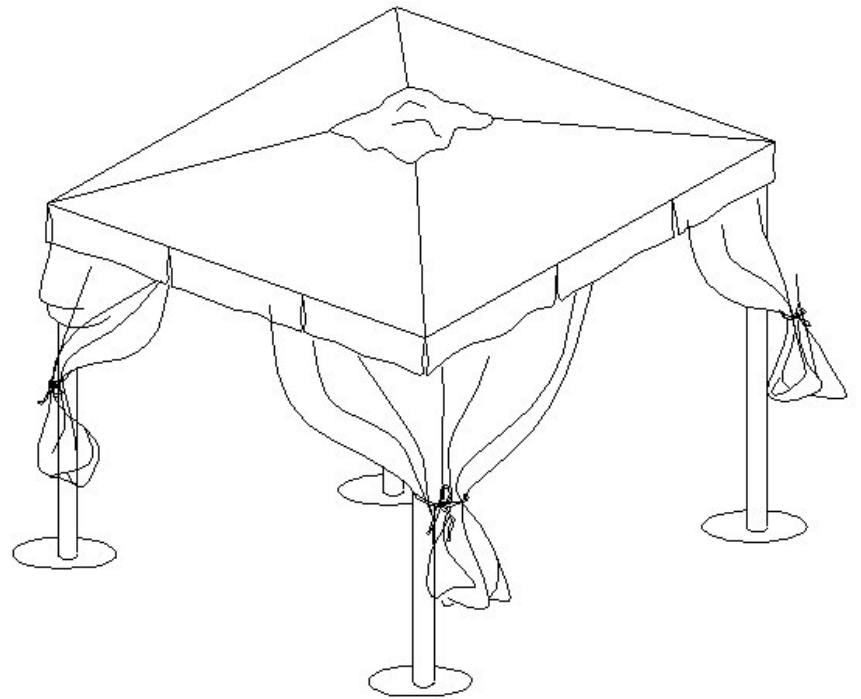


Step 4



Page 3 of 1

Step 5



THE LAST STEP
INSERT THE PIN

Page 4 of 1