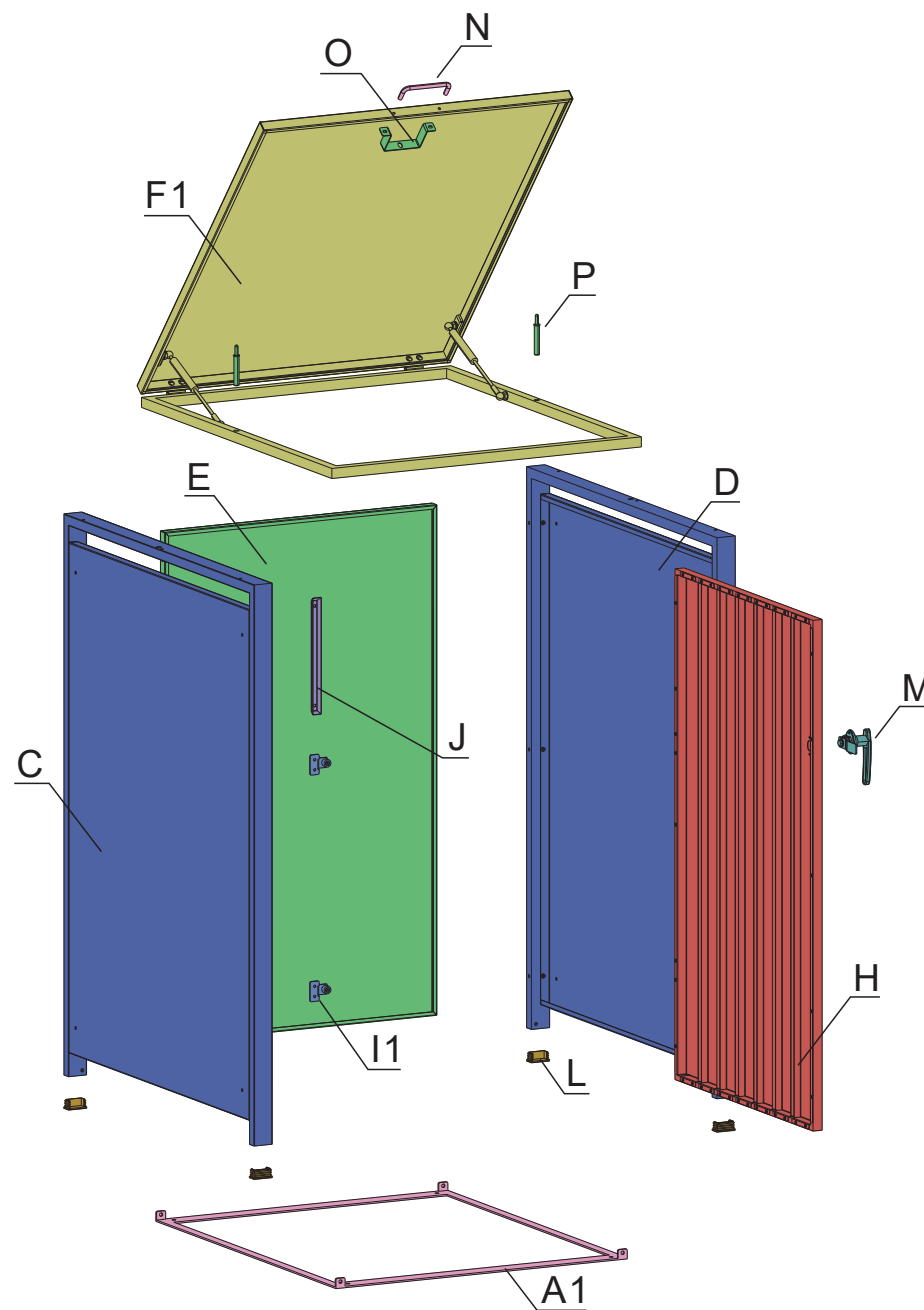
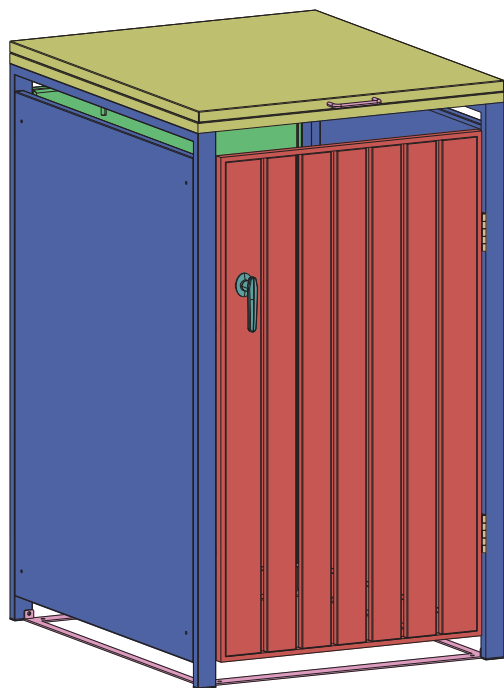
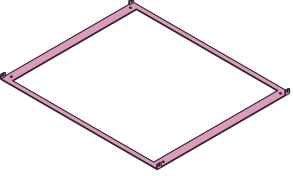
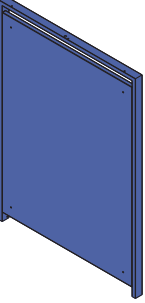
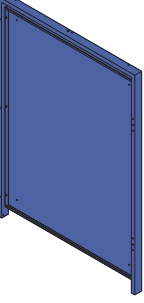
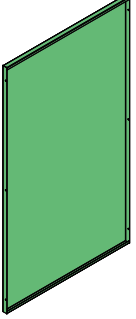
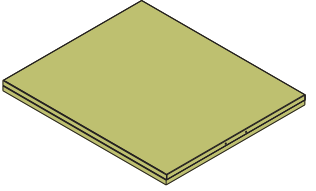
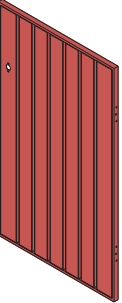
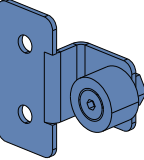
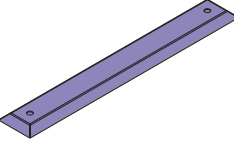
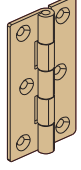
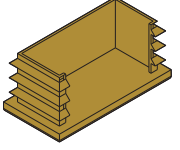
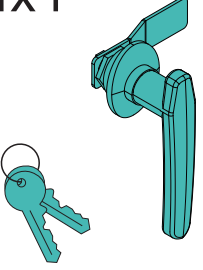
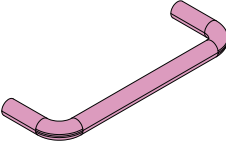
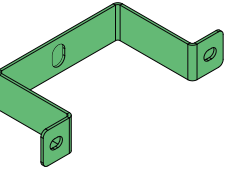

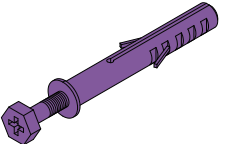
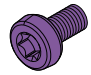
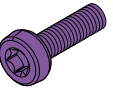
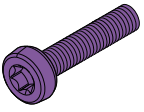
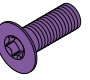
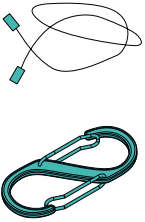


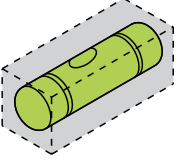
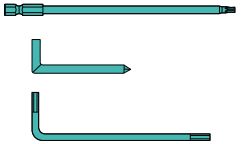


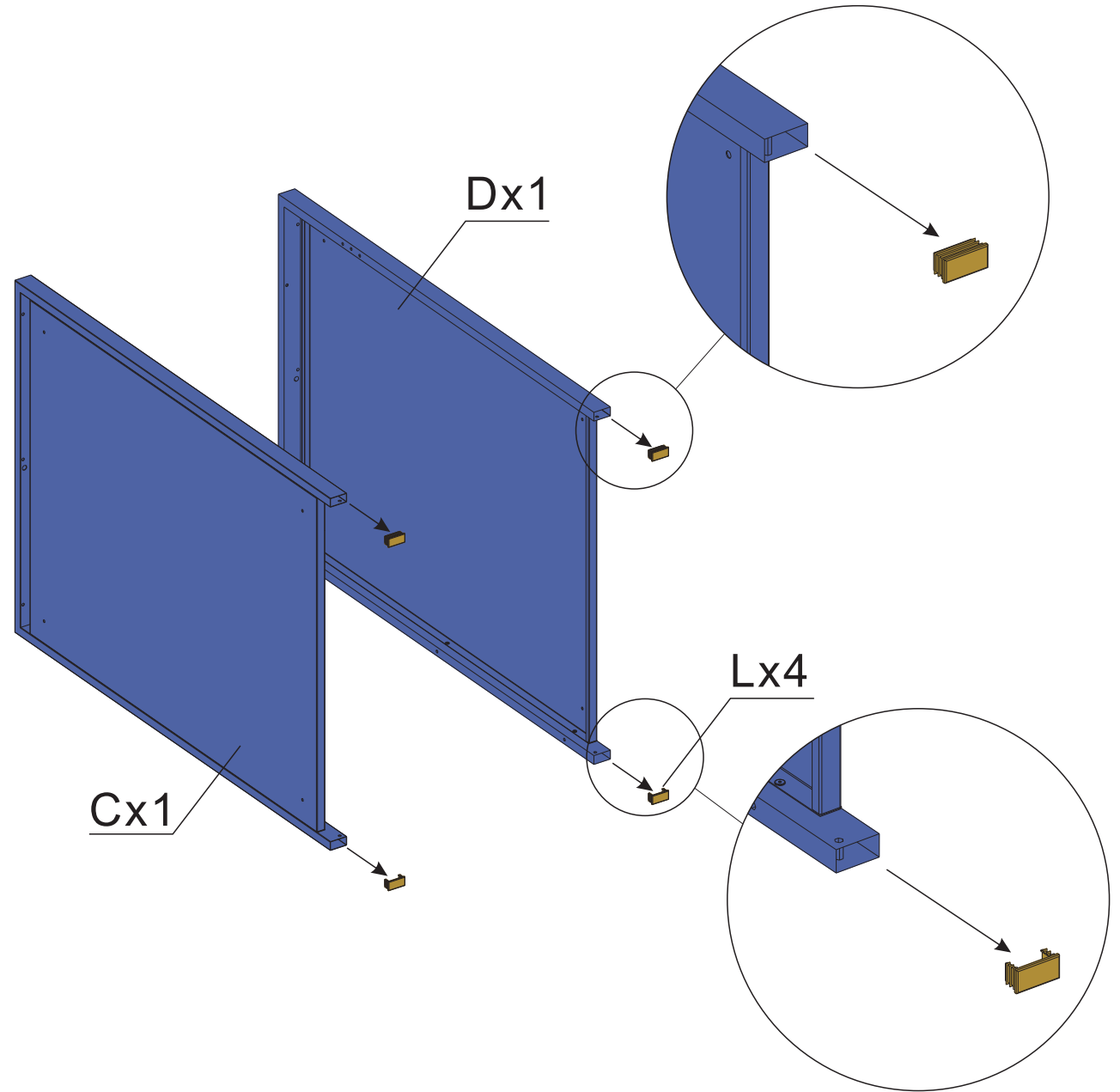
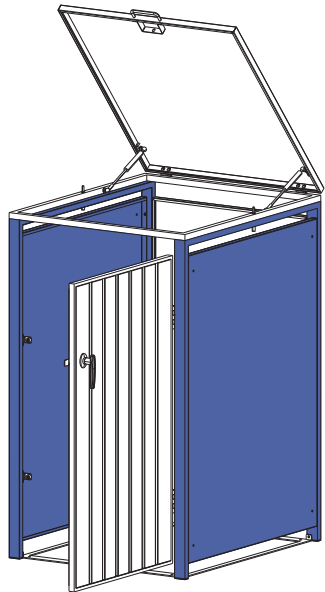
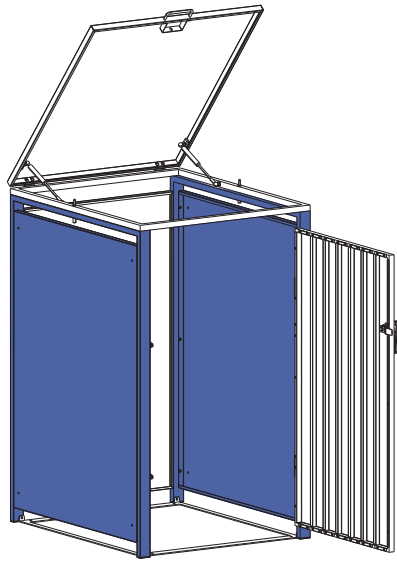
Kingdom Teak



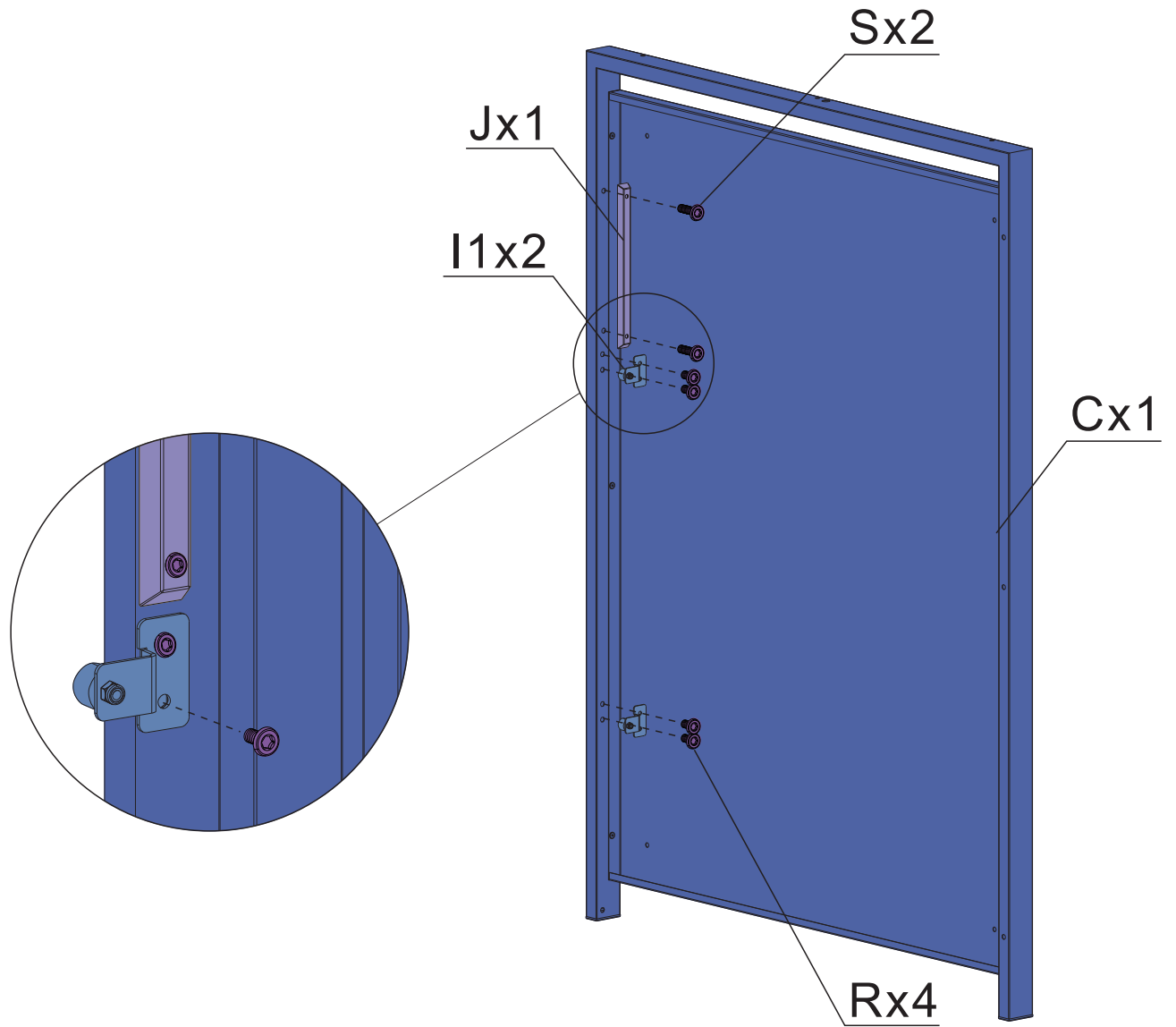
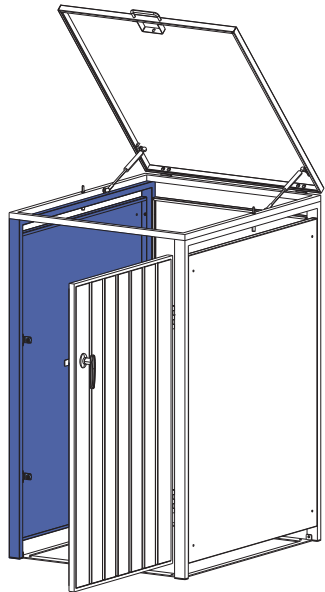
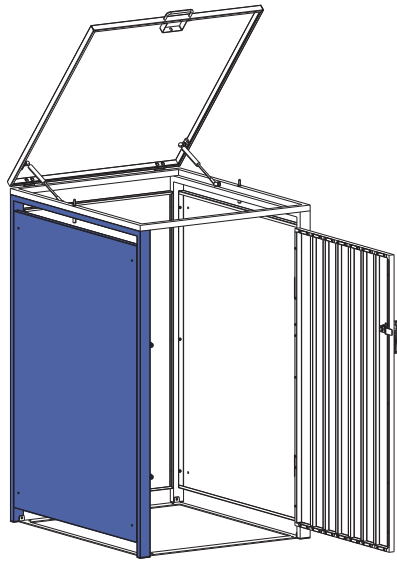
A1x1 	Cx1 	Dx1 	Ex1 	F1x1 		
Hx1 	I1x2 	Jx1 	Kx2 	Lx4 		
Mx1 	Nx1 	Ox1 	Px2 	Qx4 	Rx10  M4x10mm	Sx8  M4x20mm
Tx6  M4x30mm	Ux16  M4x14mm	Vx1 	Wx4 	Xx4 	Yx1 	Zx1 

Note: If you want to connect the similar trash can, please use part S,W,X.

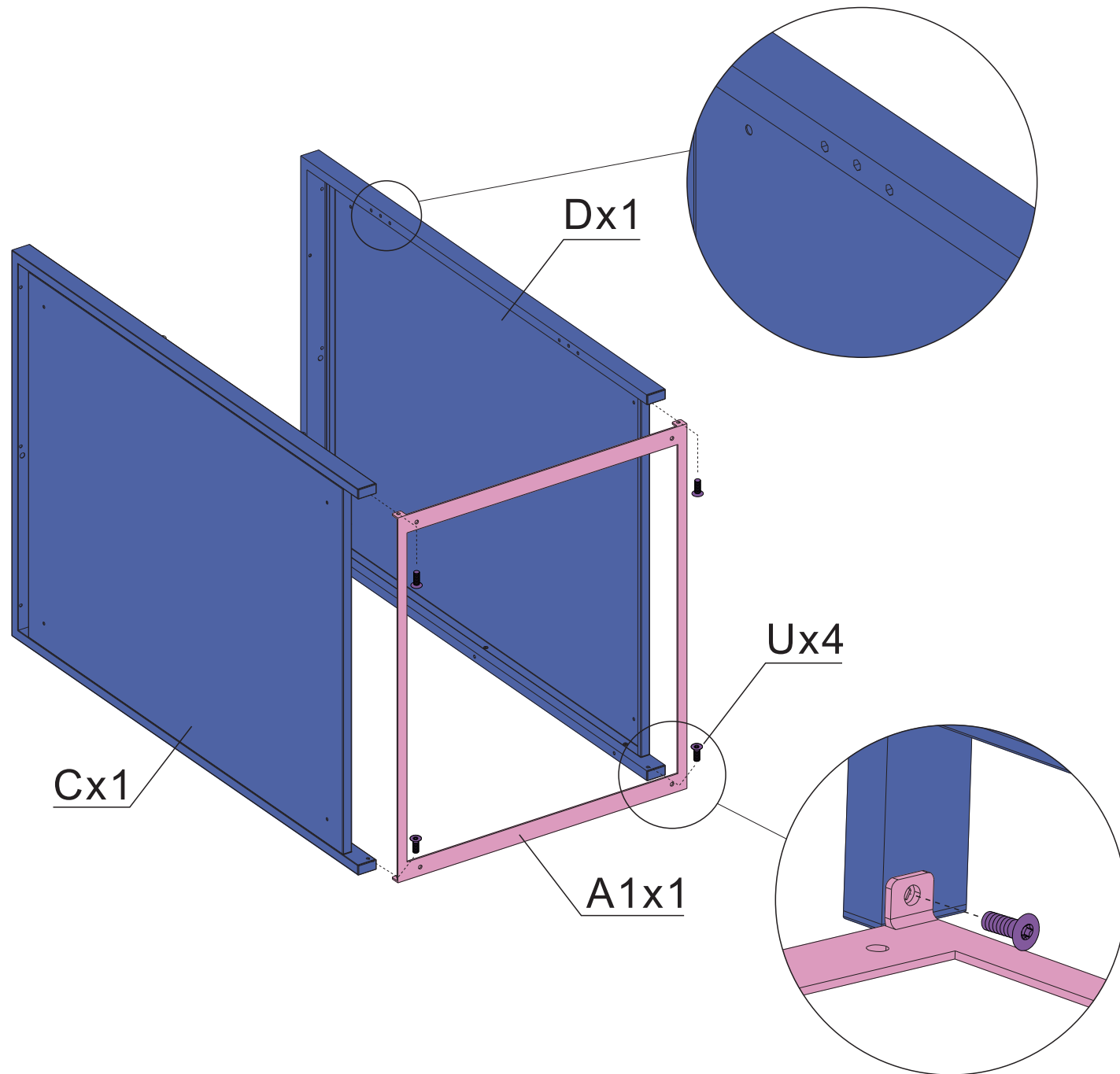
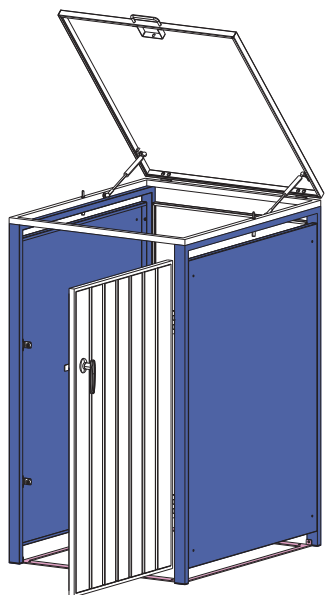
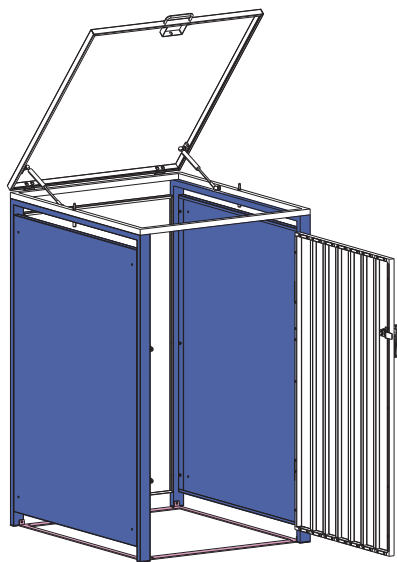
STEP 1



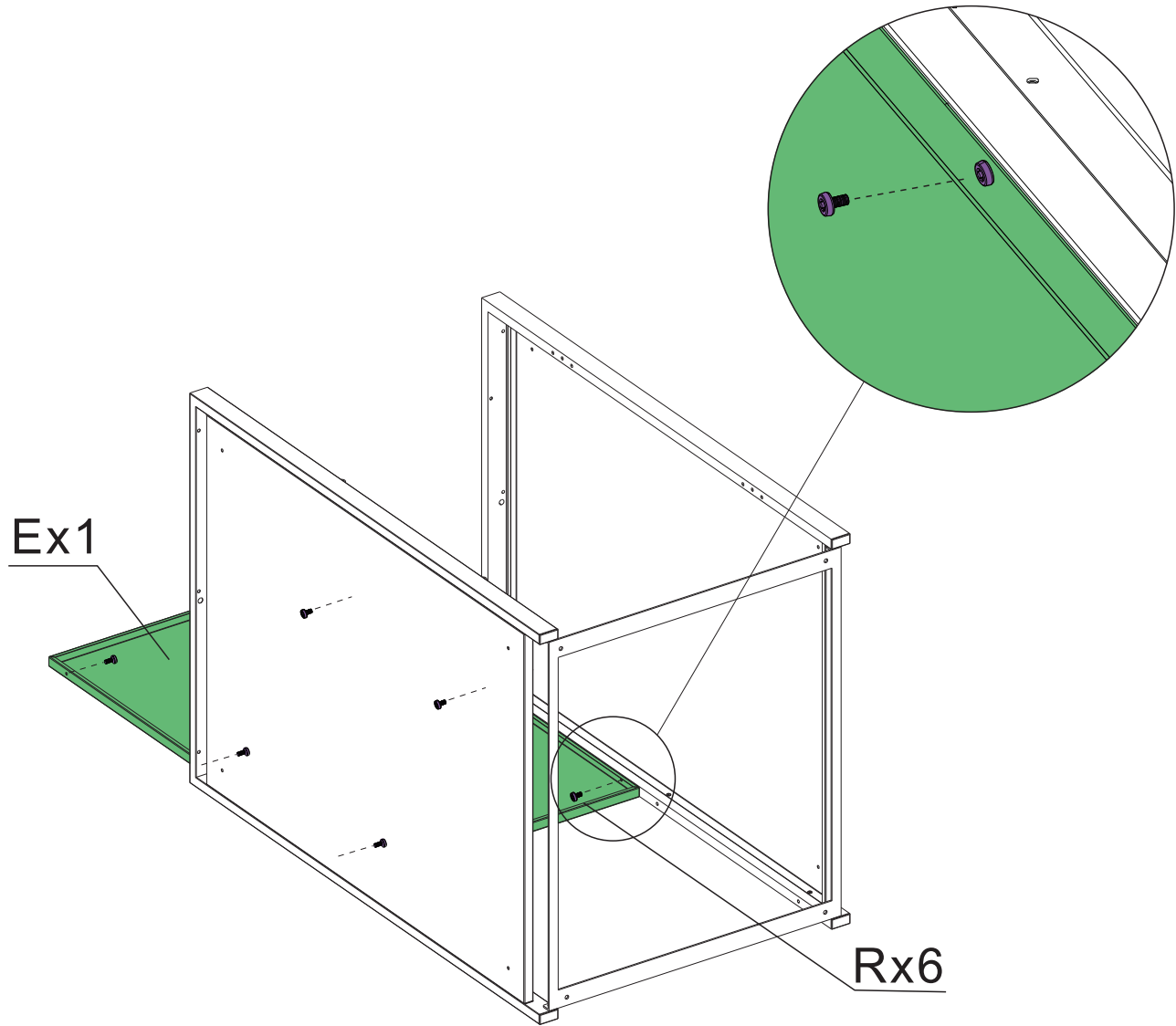
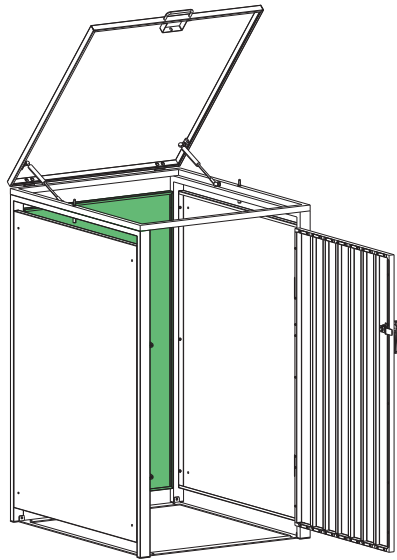
STEP 2



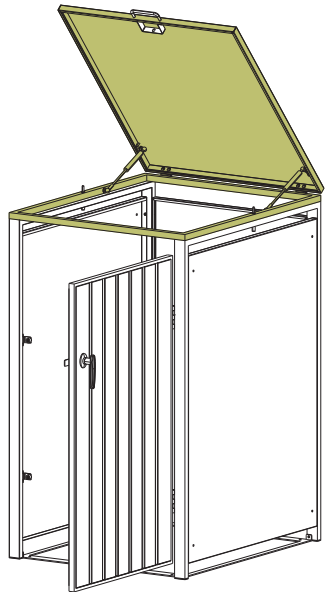
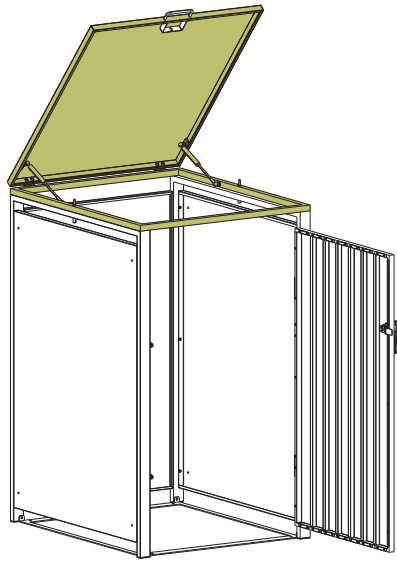
STEP 3



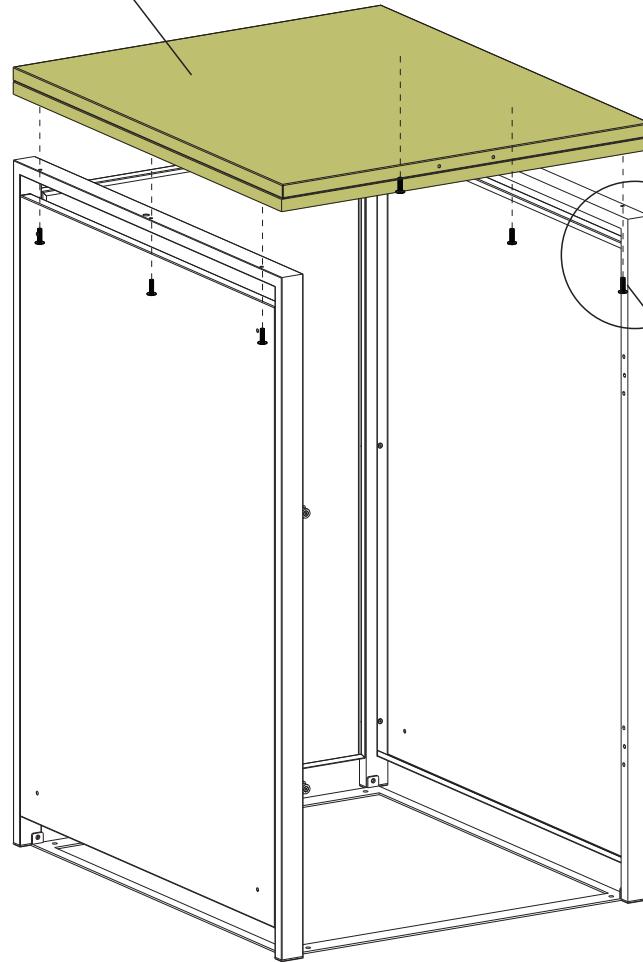
STEP4



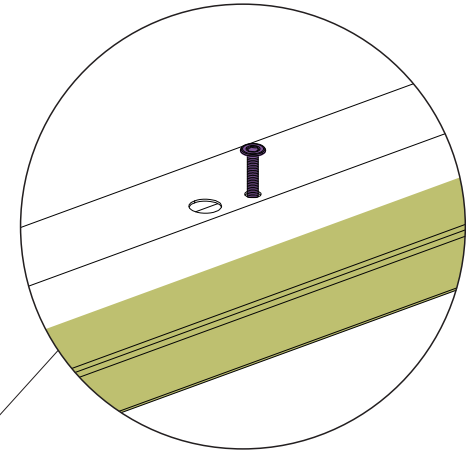
STEP 5



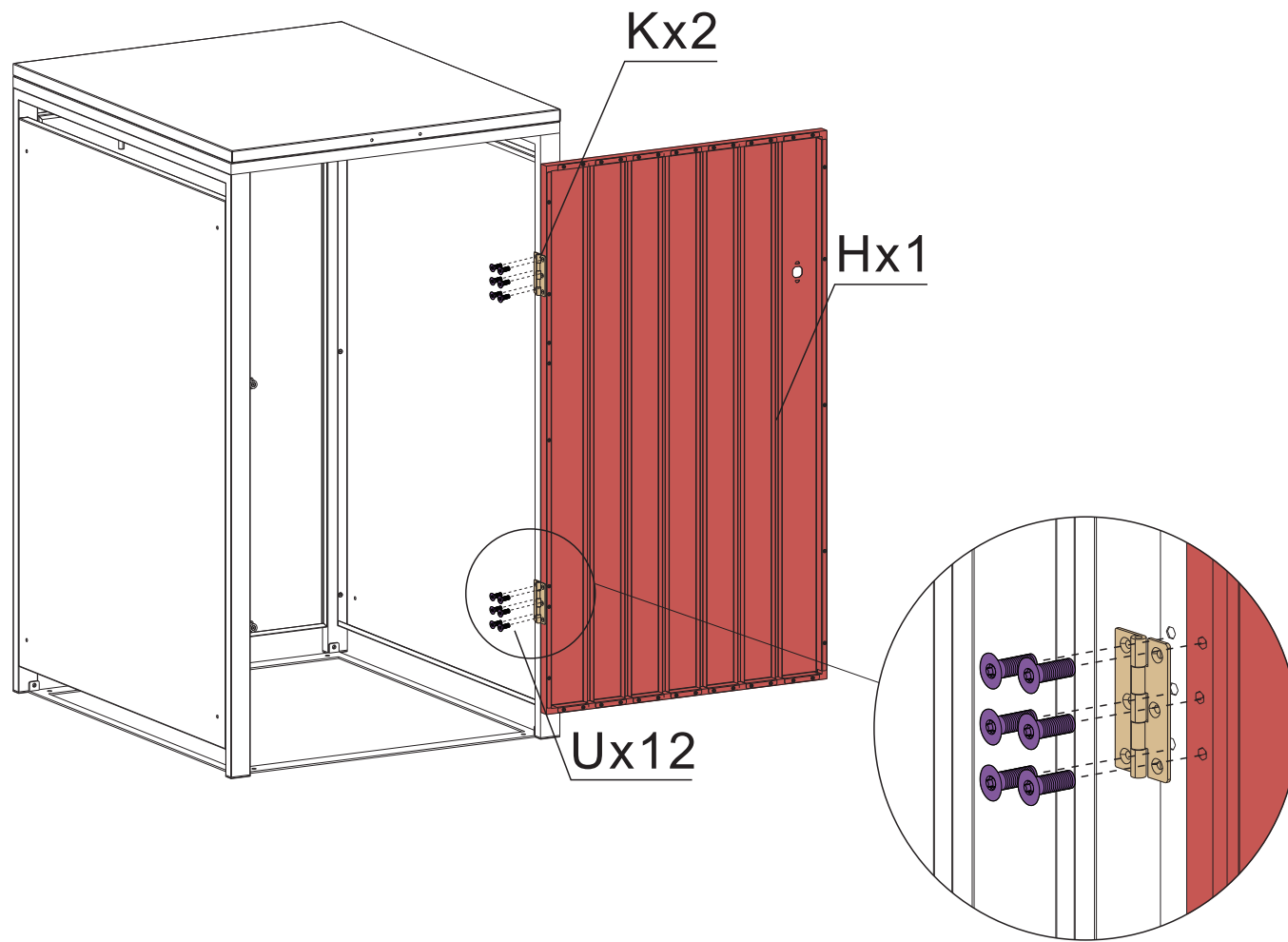
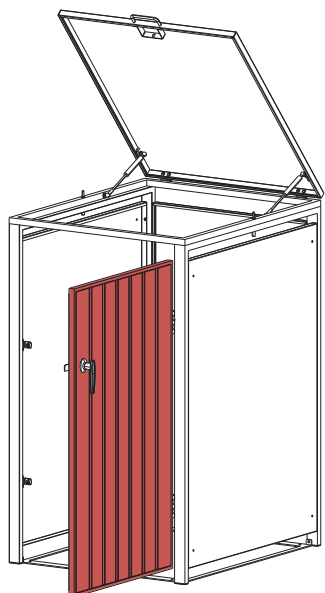
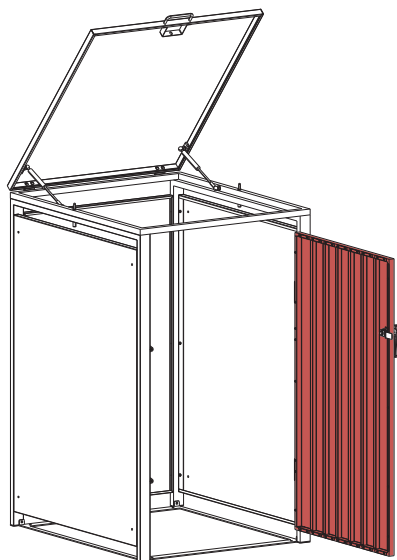
F1x1



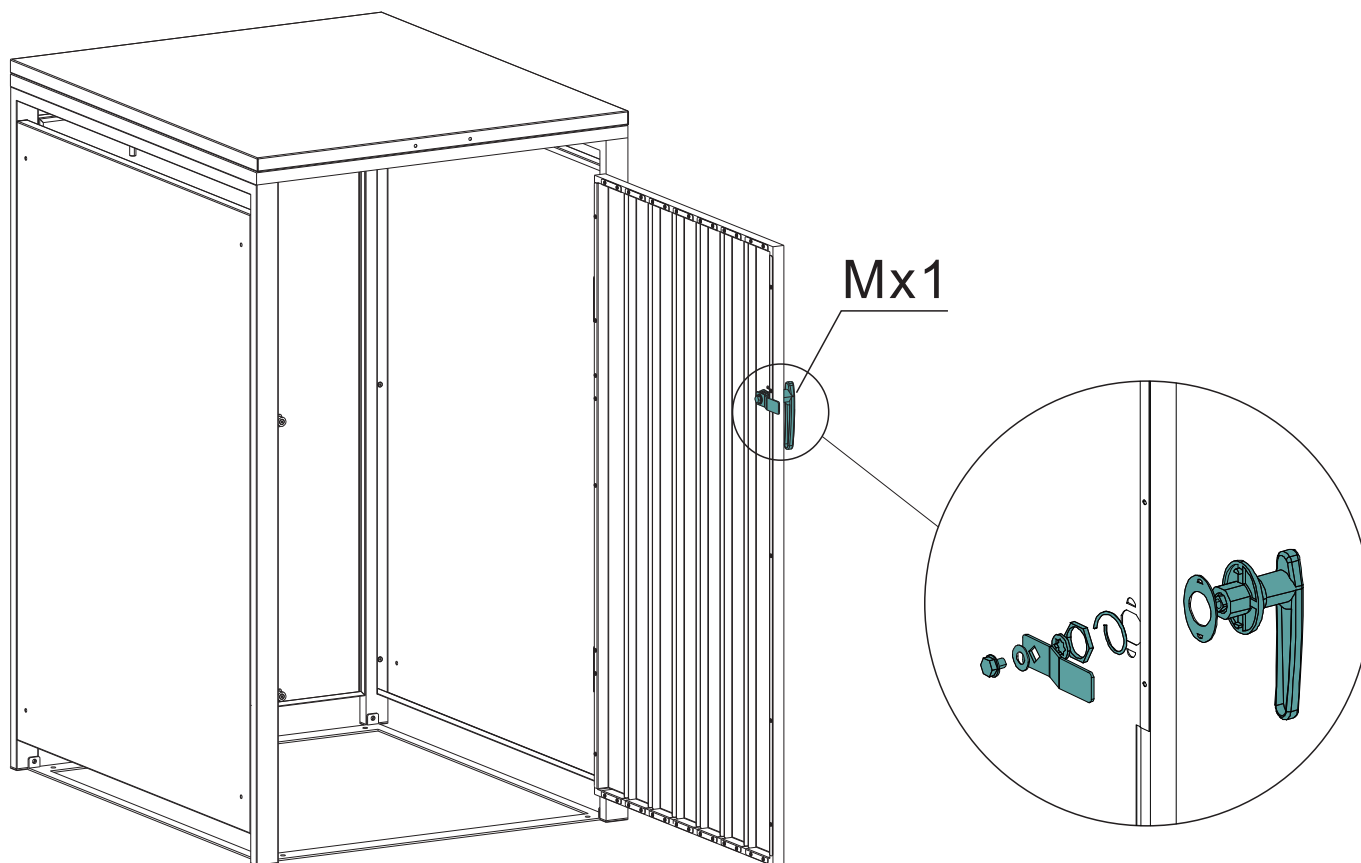
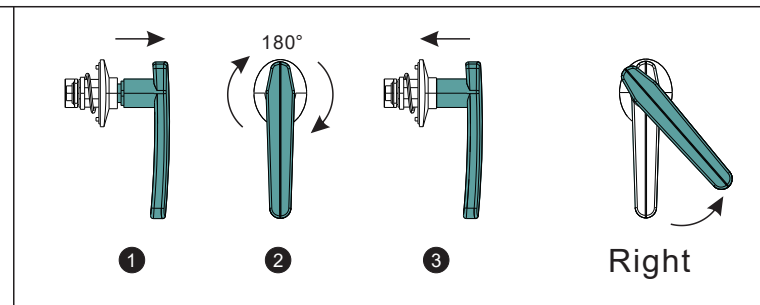
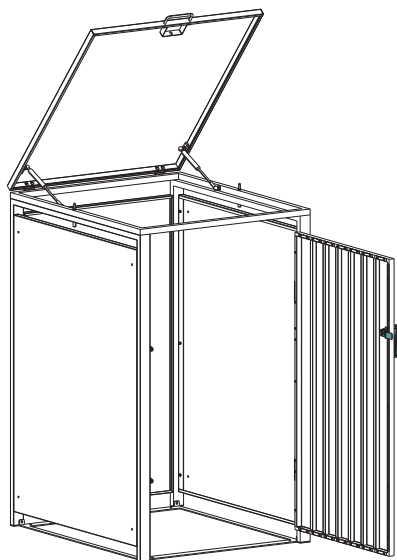
Tx6



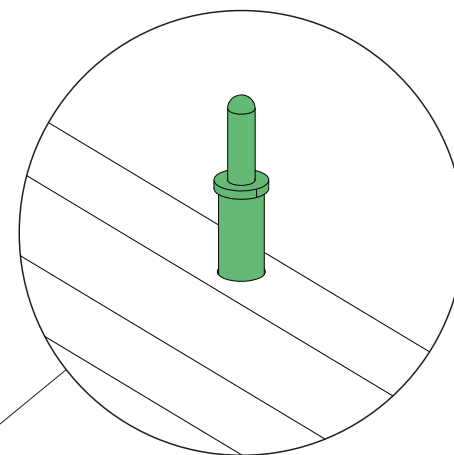
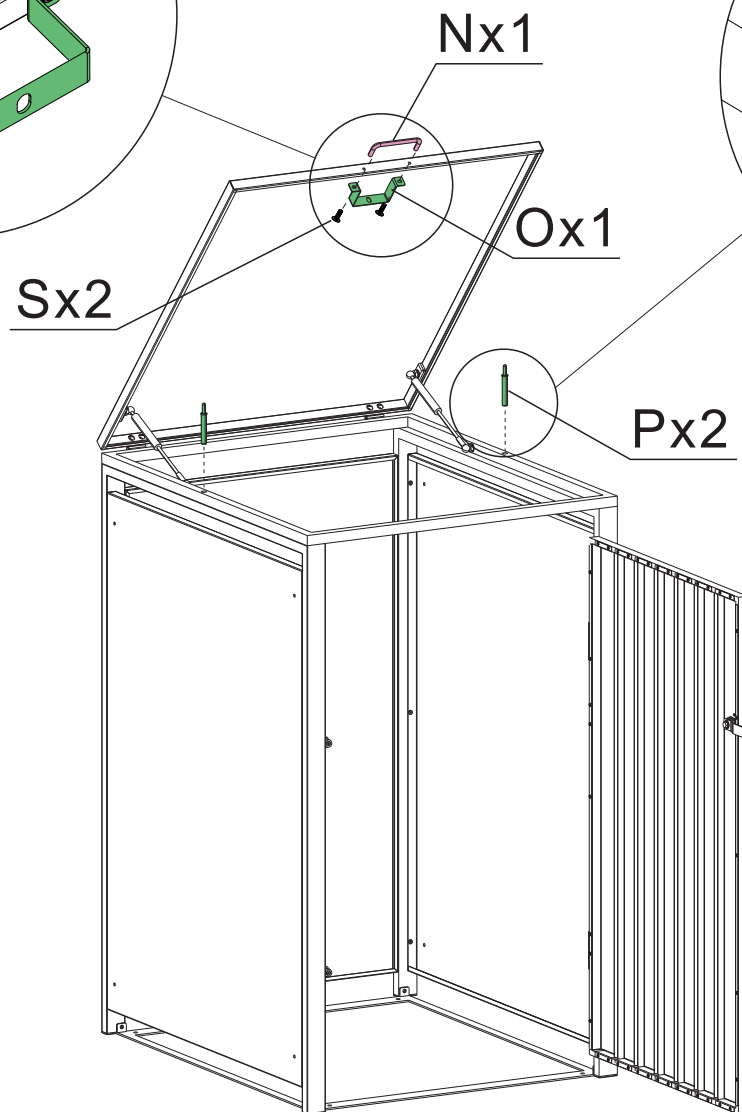
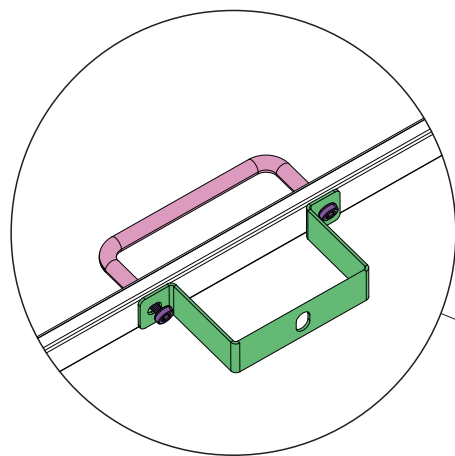
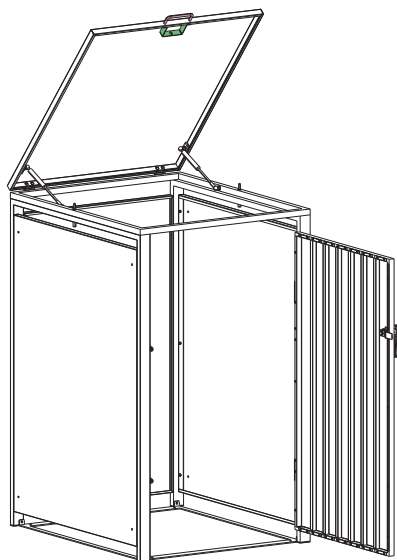
STEP 6



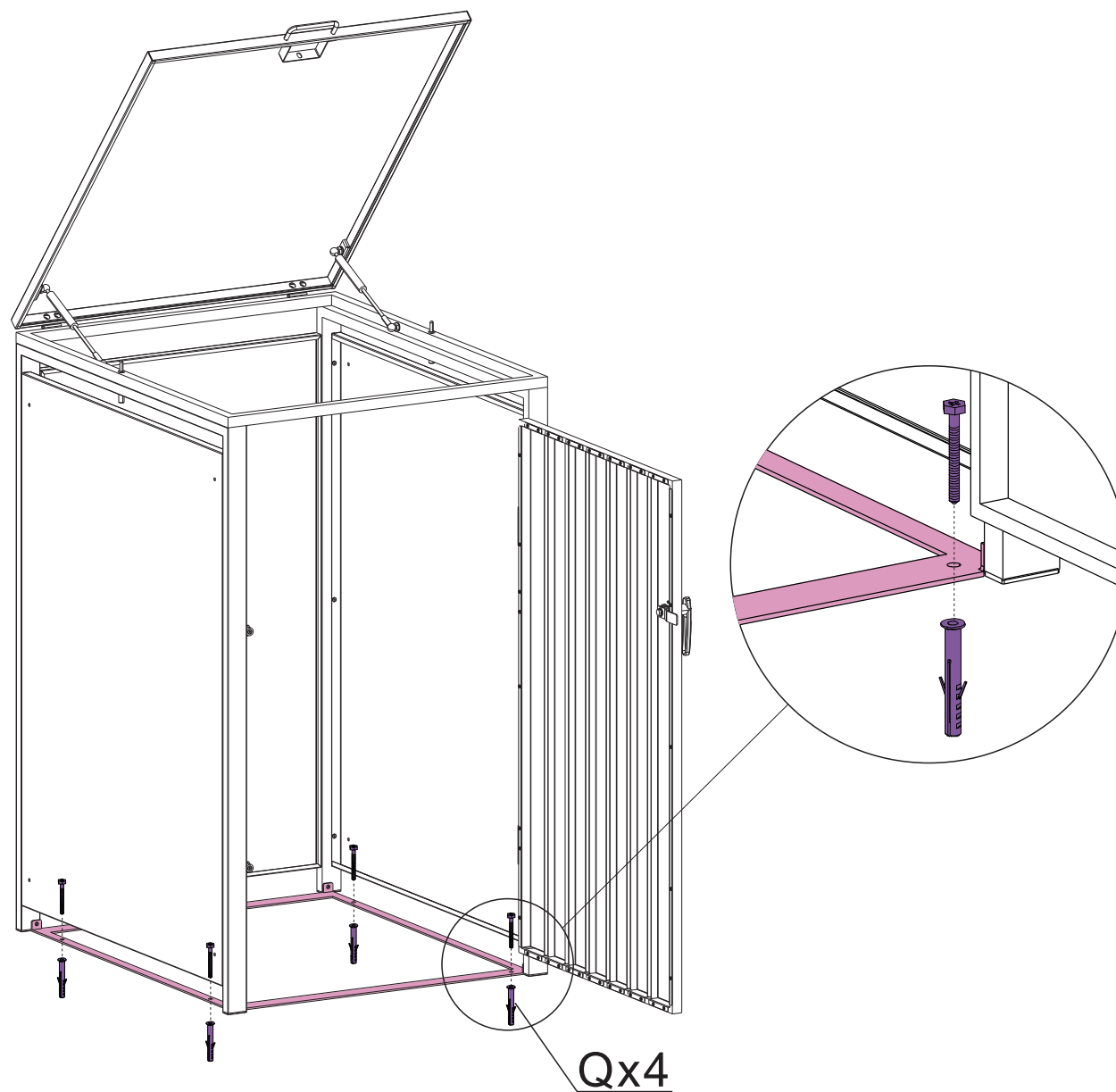
STEP 7



STEP 8



STEP 9



STEP 10

