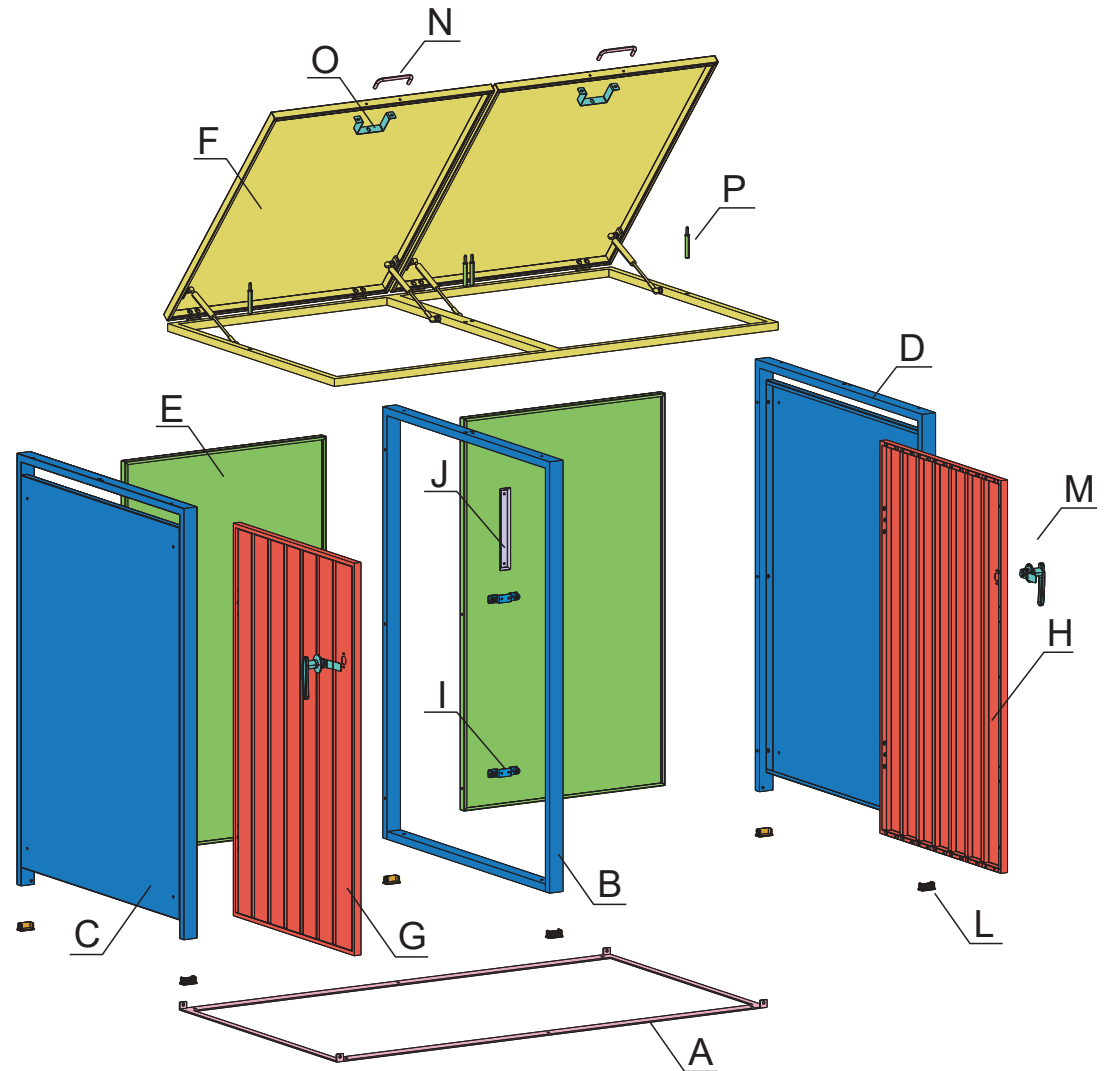
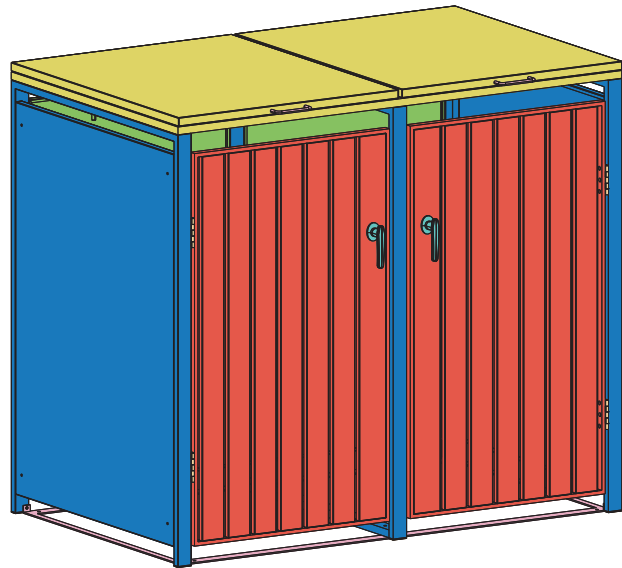
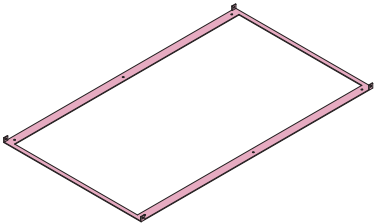
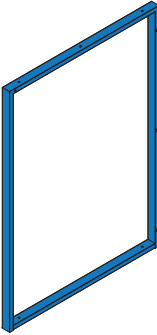
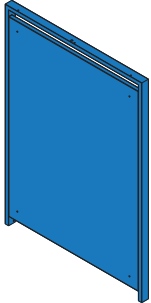
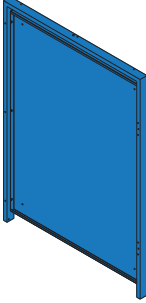
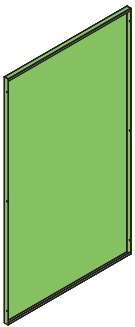
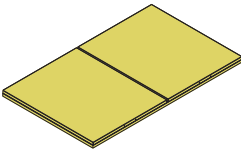
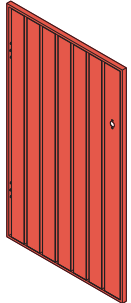
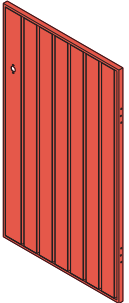
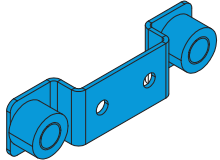
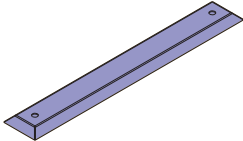
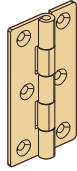
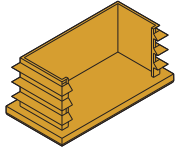
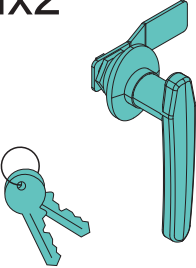
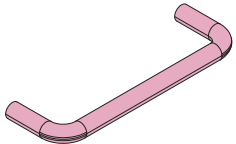
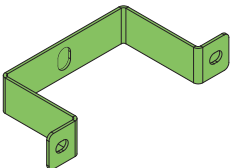

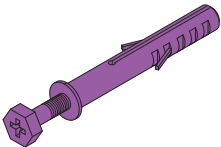
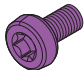
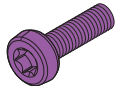
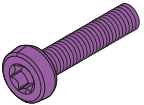
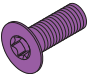
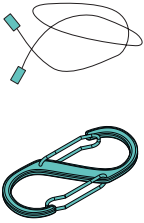


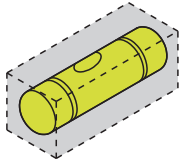
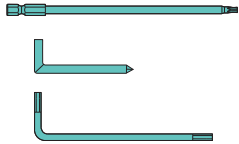


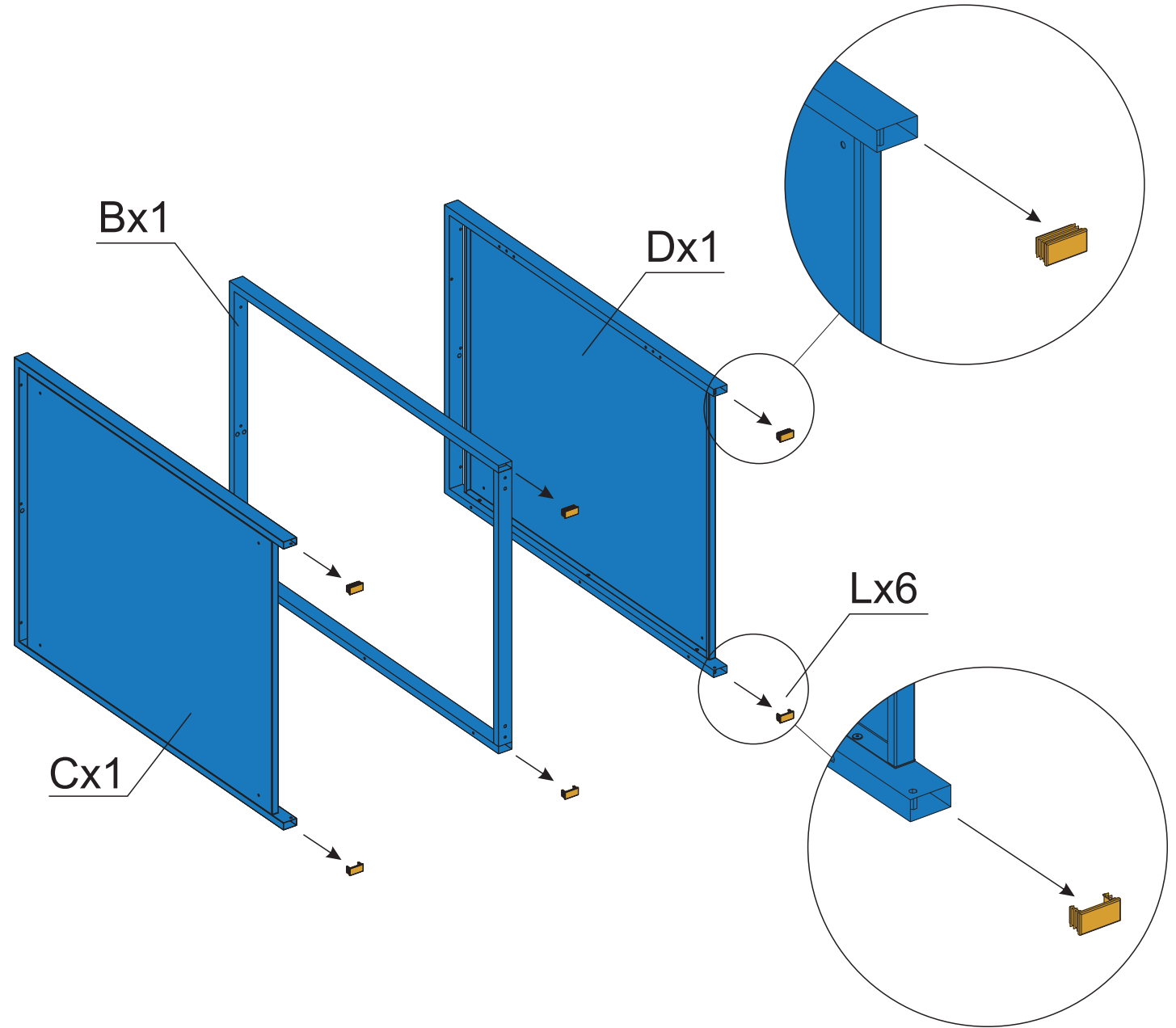
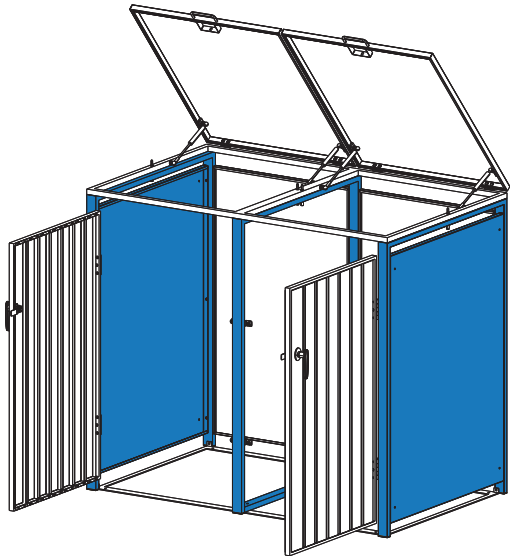
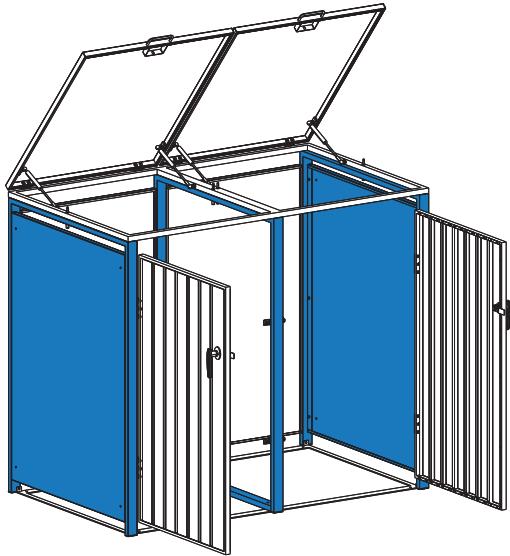
Kingdom Teak



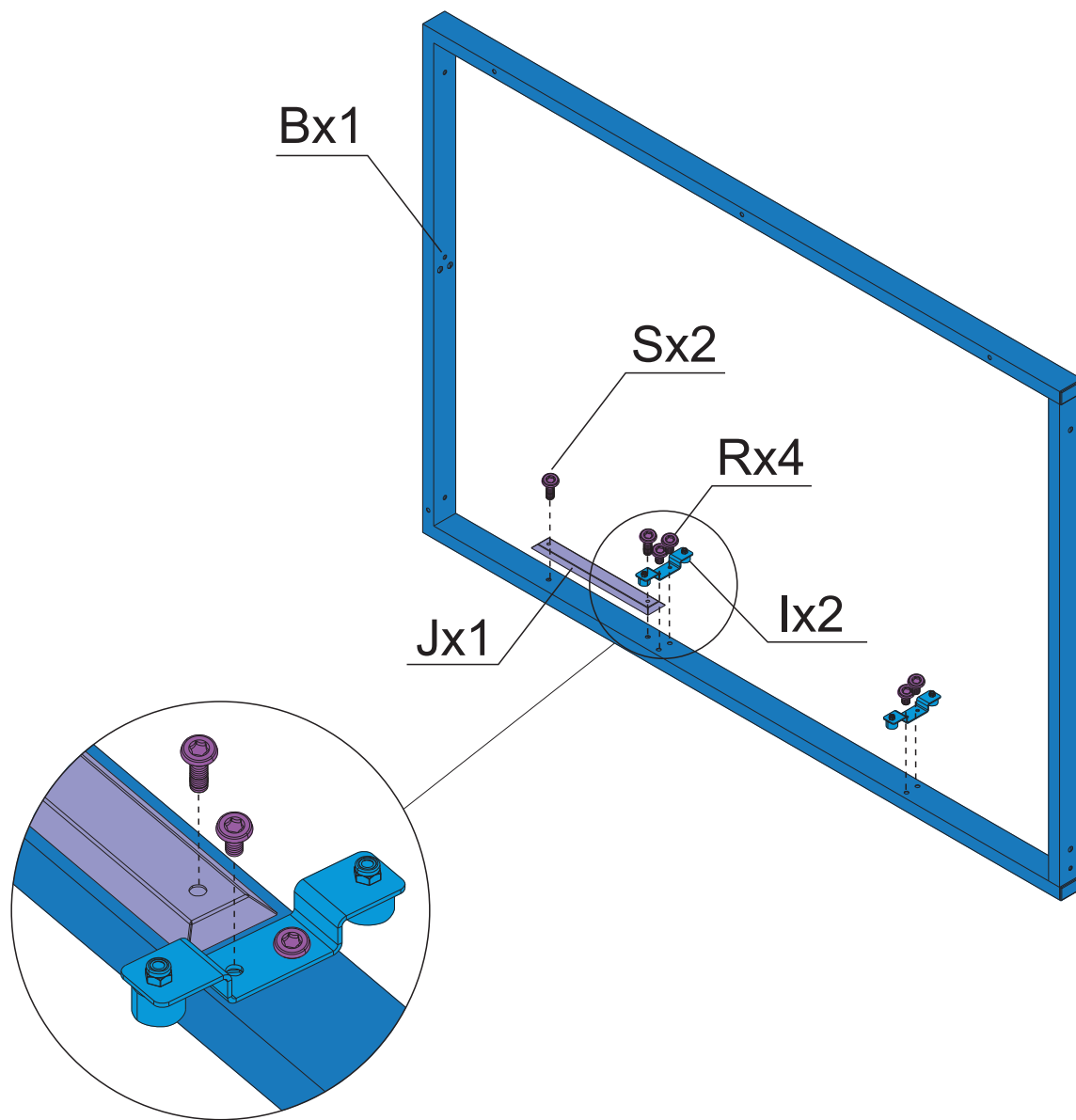
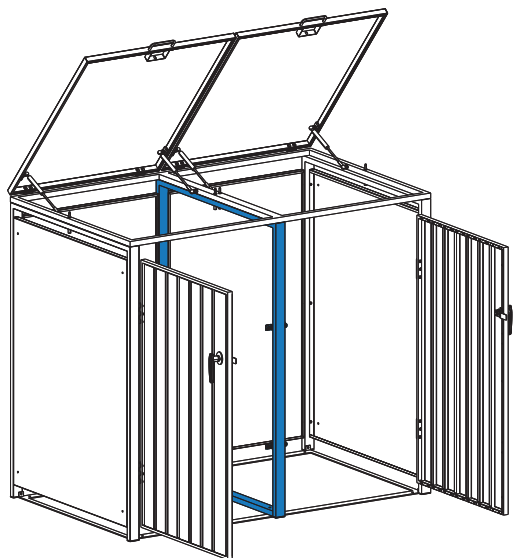
Ax1 	Bx1 	Cx1 	Dx1 	Ex2 		
Fx1 	Gx1 	Hx1 	Ix2 	Jx1 	Kx4 	Lx6 
Mx2 	Nx2 	Ox2 	Px4 	Qx6 	Rx16  M4x10mm	Sx10  M4x20mm
Tx9  M4x30mm	Ux30  M4x14mm	Vx2 	Wx4 	Xx4 	Yx1 	Zx1 

Note: If you want to connect the similar trash can, please use part S,W,X.

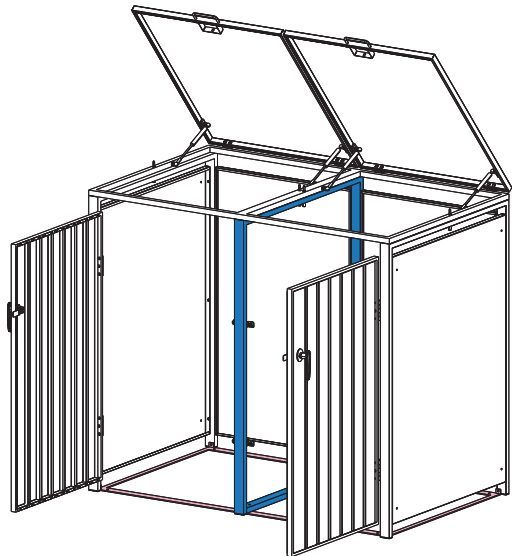
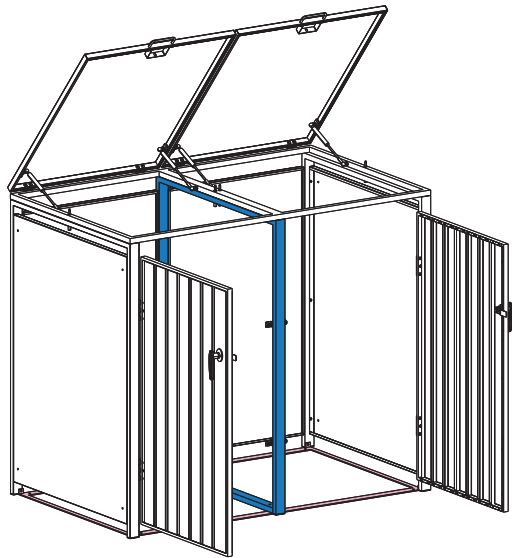
STEP 1



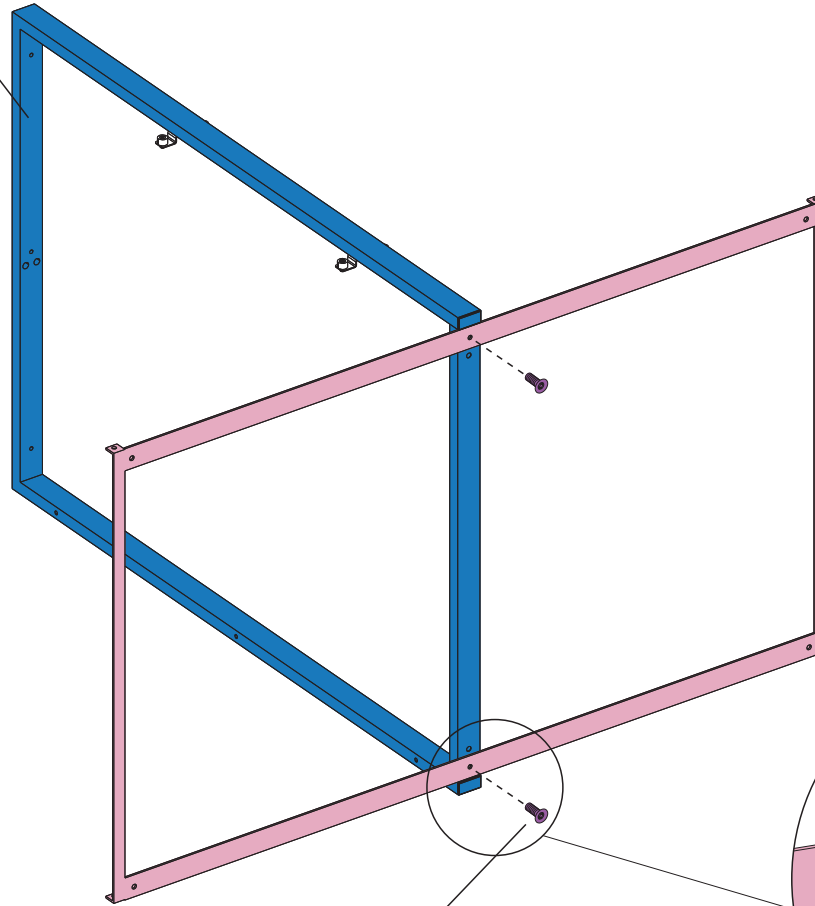
STEP2



STEP3

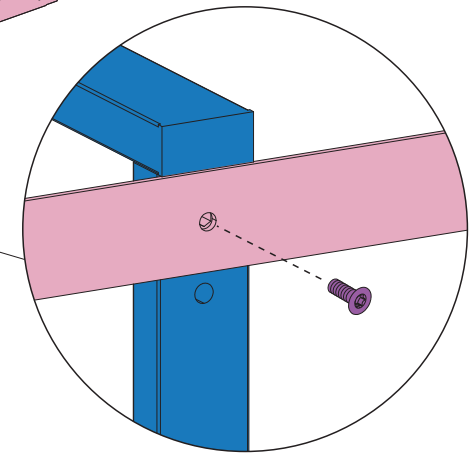


Bx1

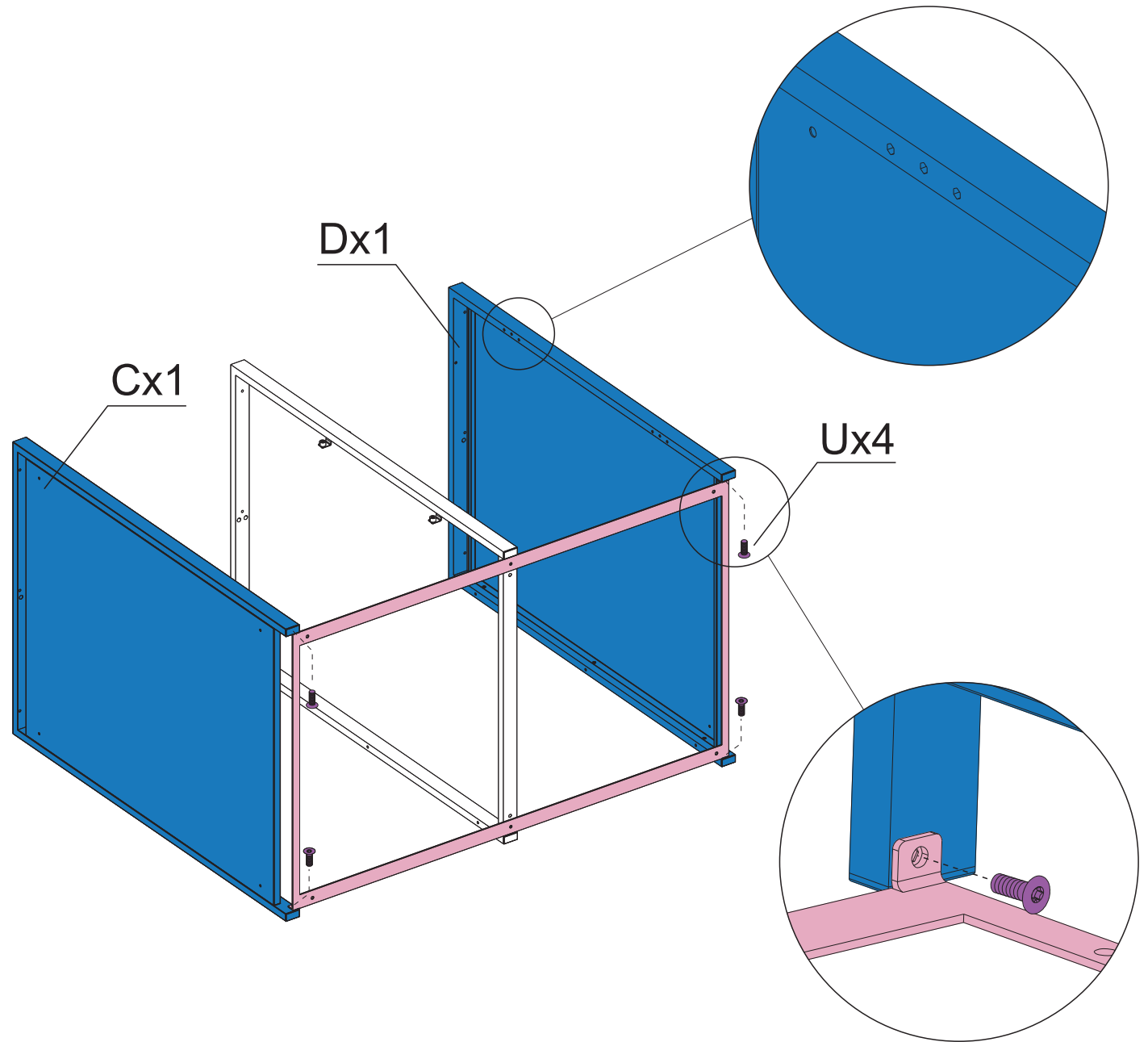
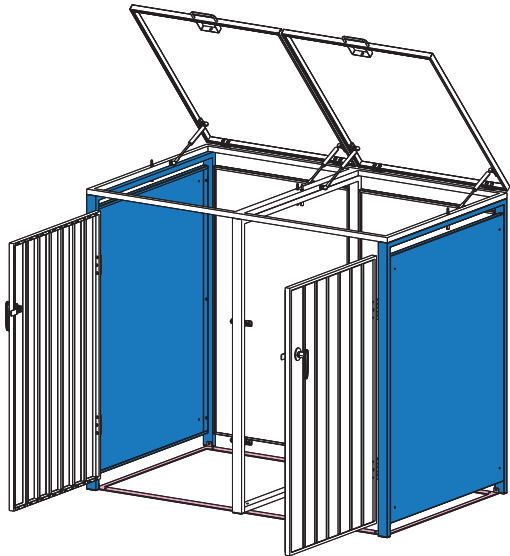
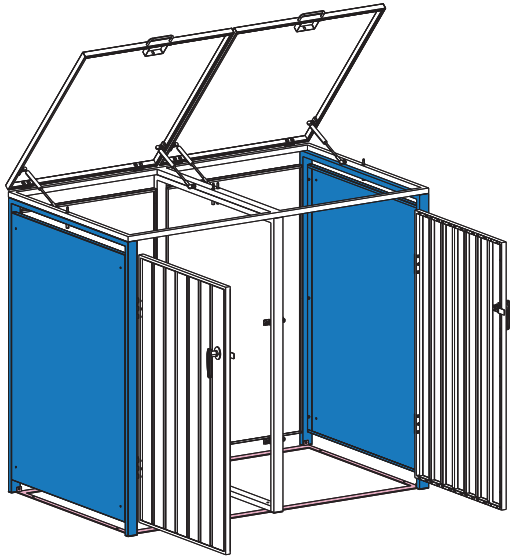


Ax1

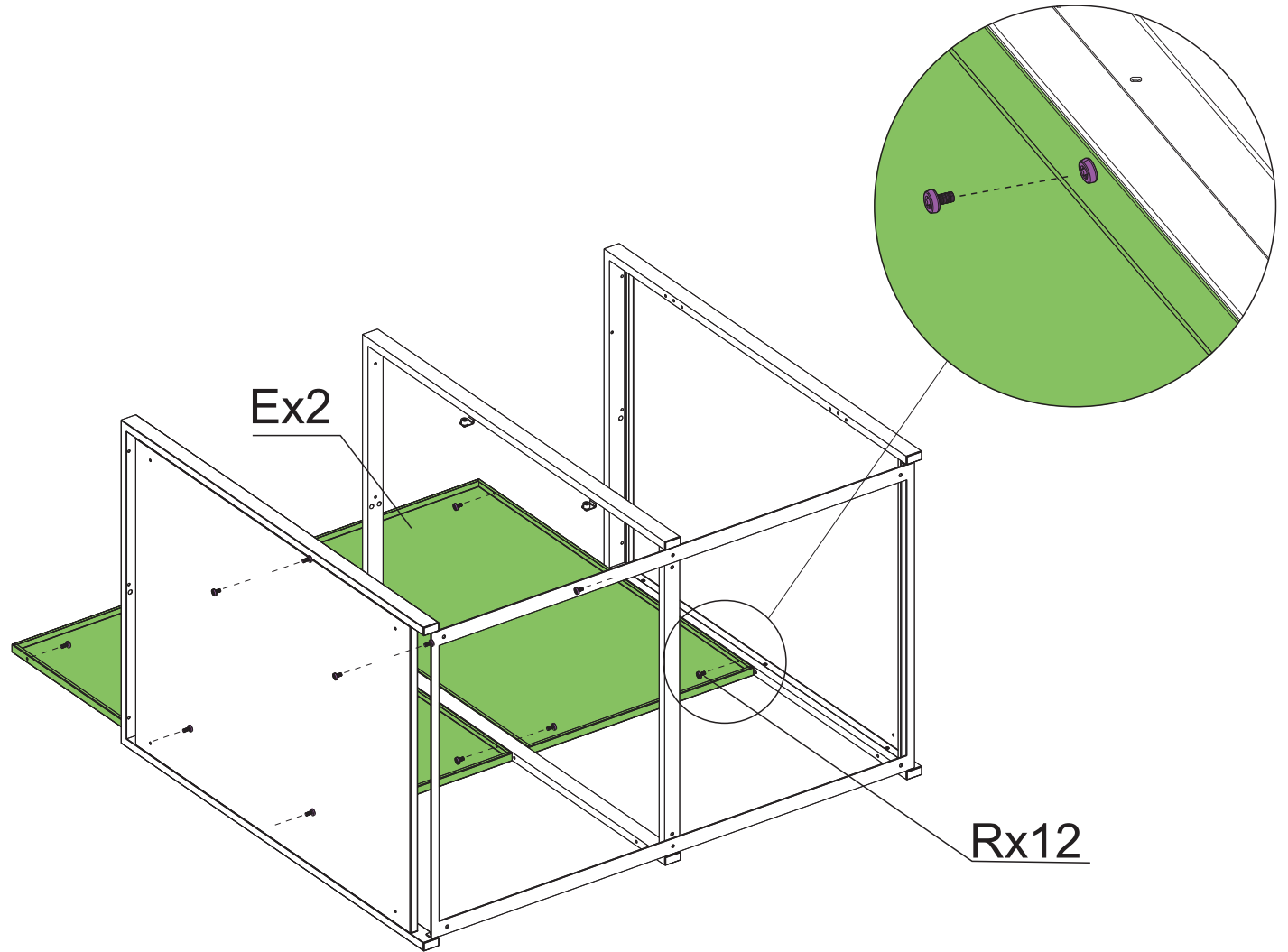
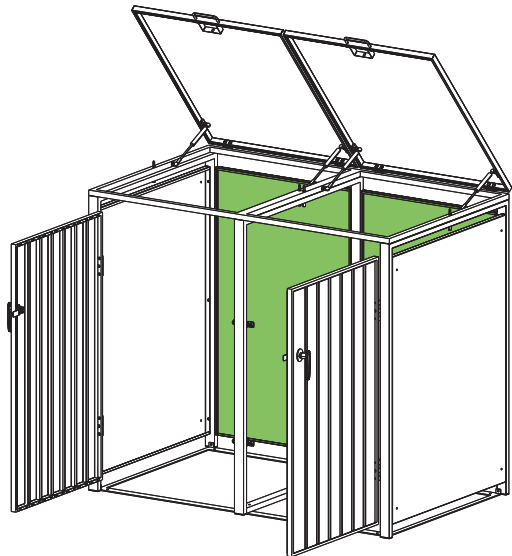
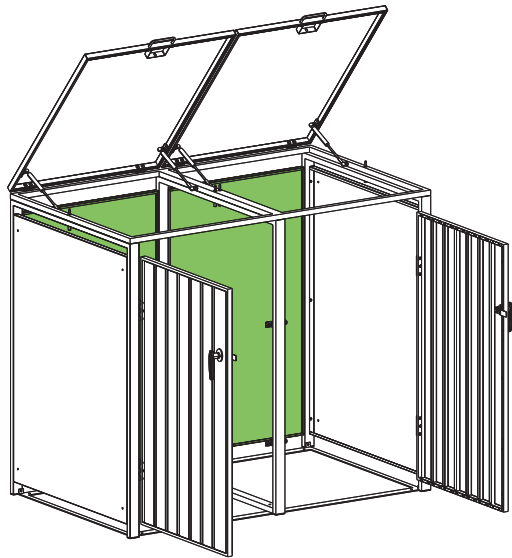
Ux2



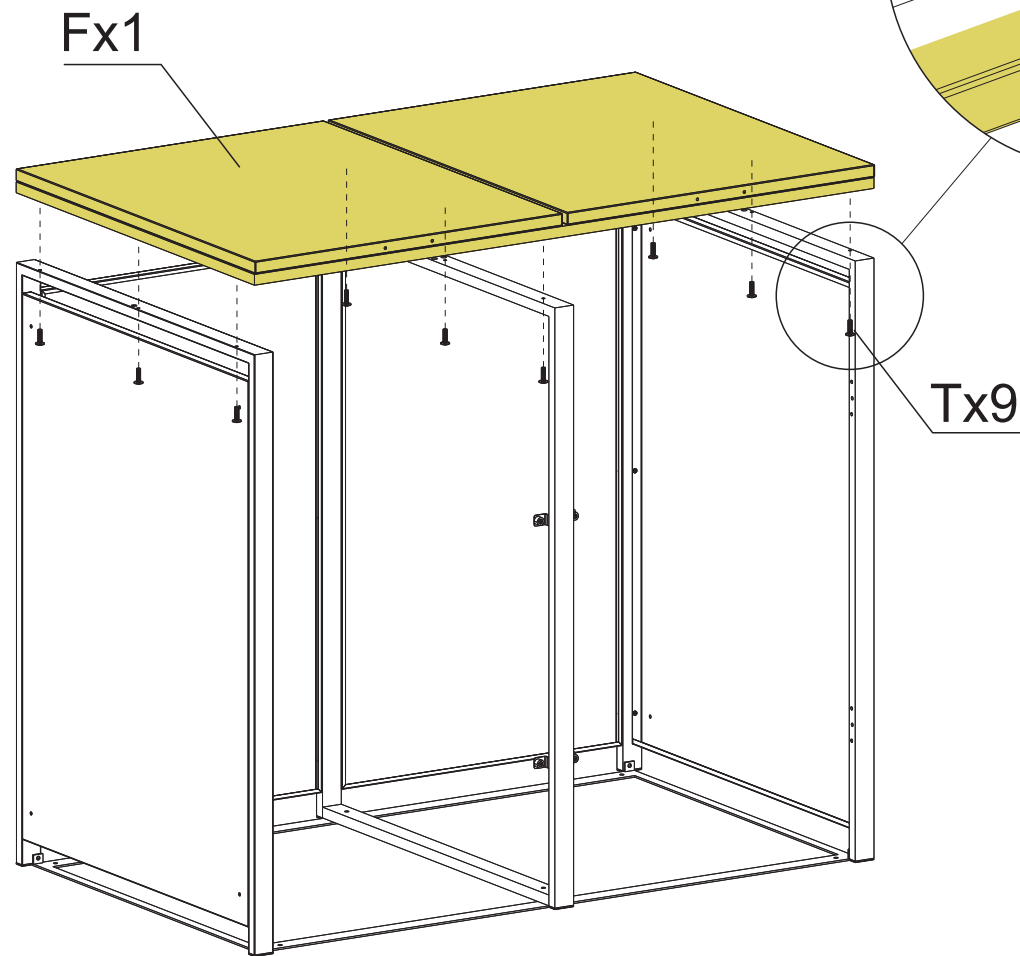
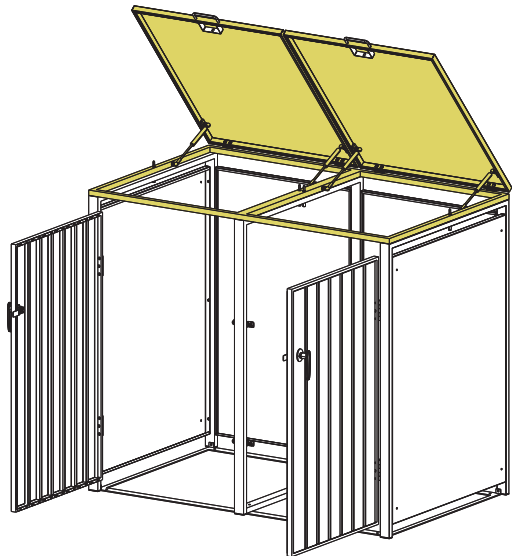
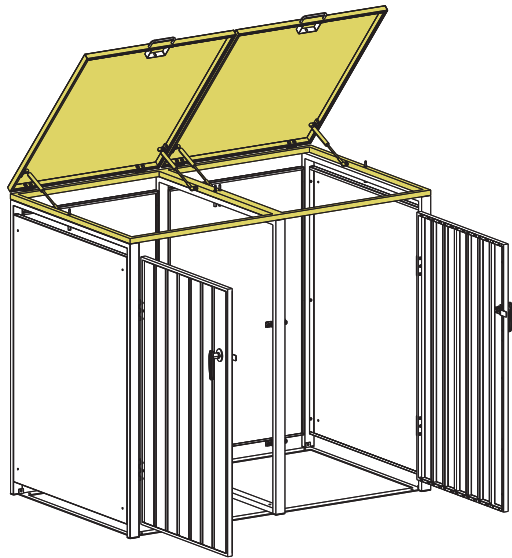
STEP4



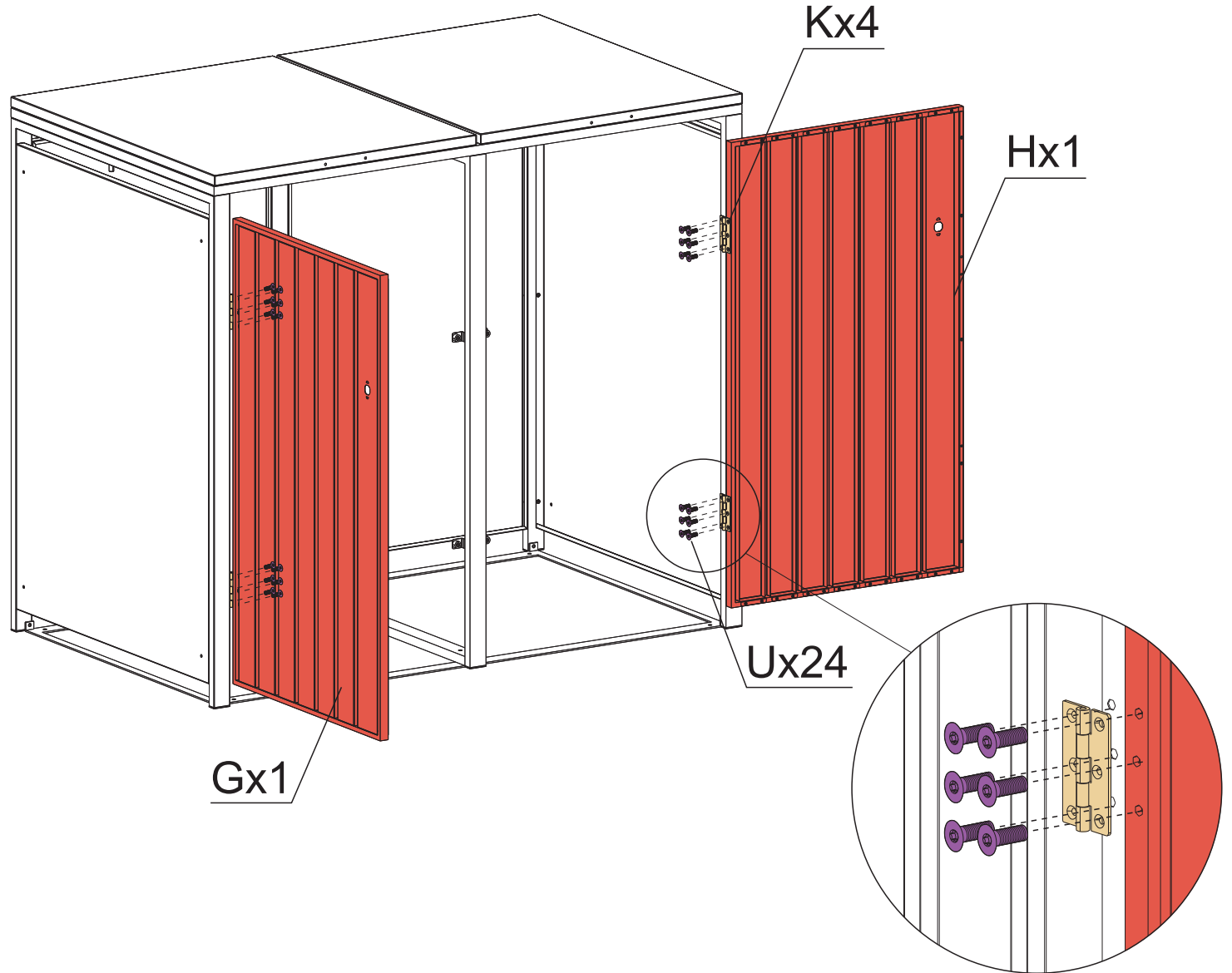
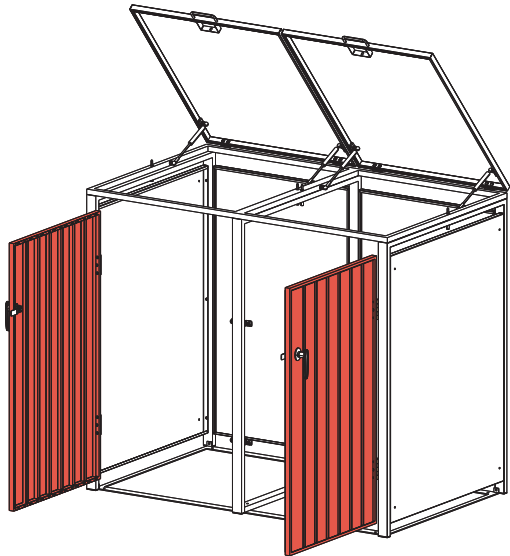
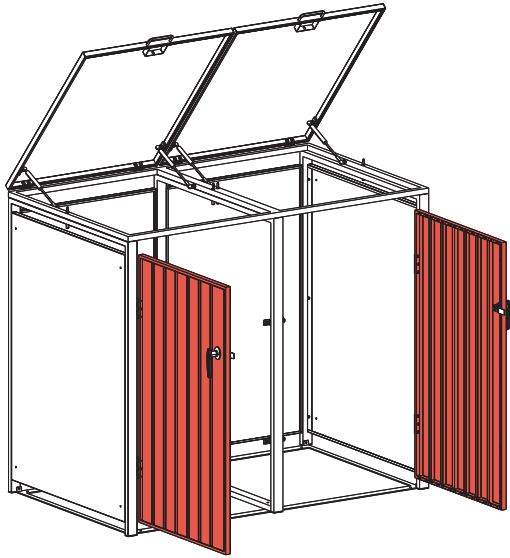
STEP 5



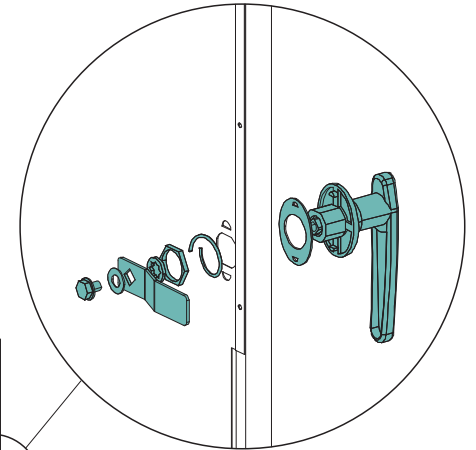
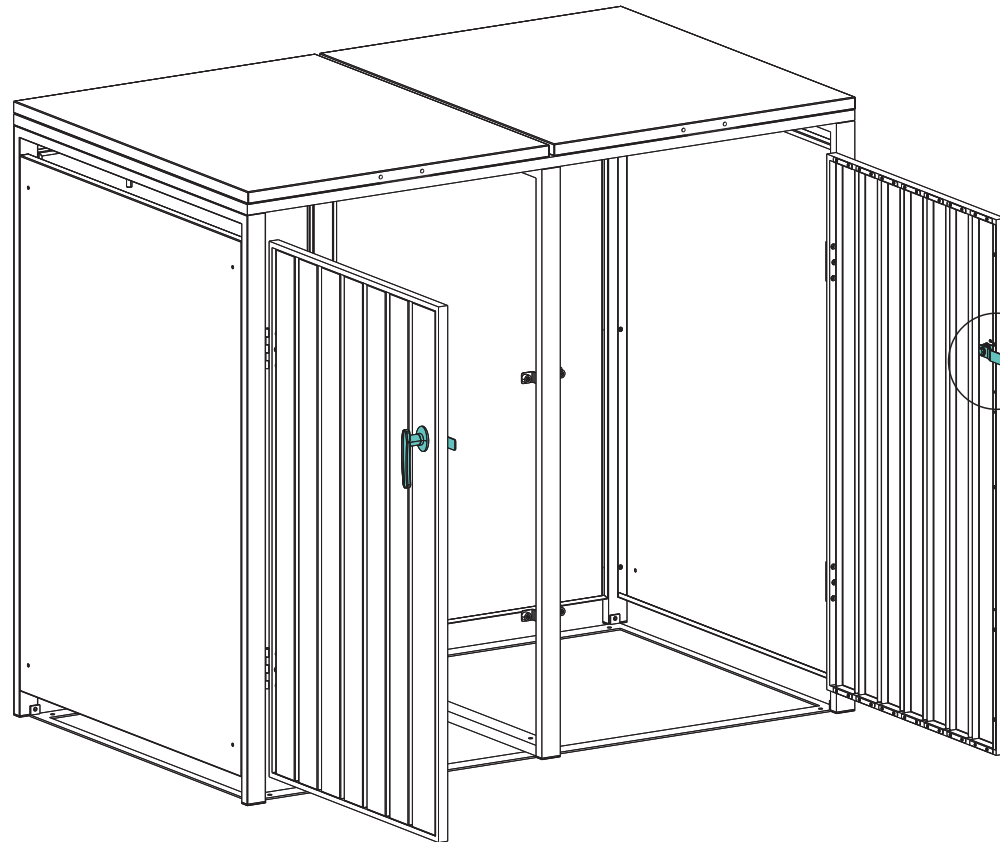
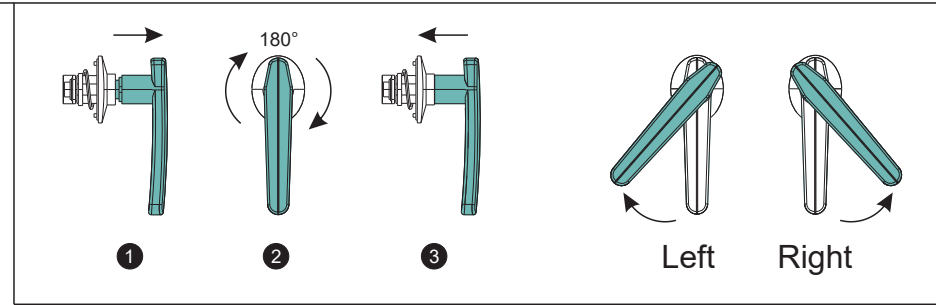
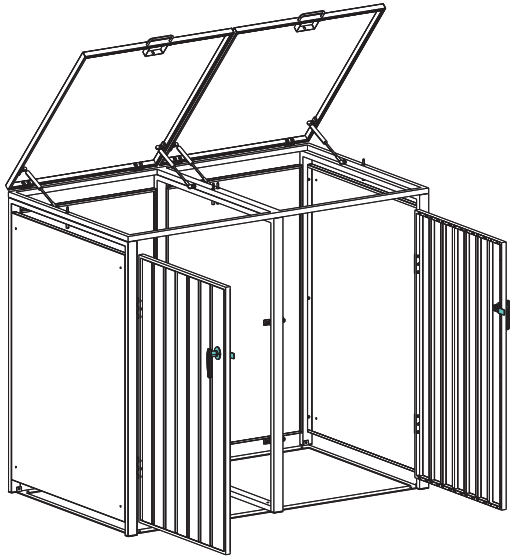
STEP 6



STEP 7

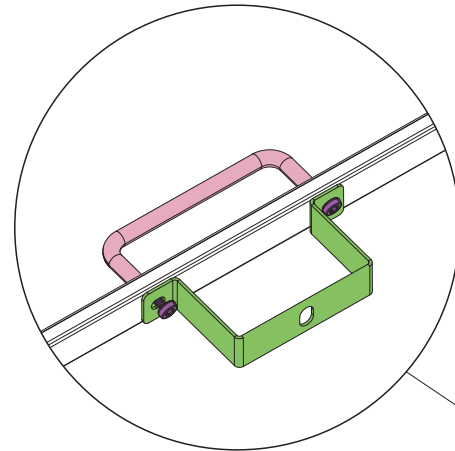


STEP 8



Mx2

STEP 9

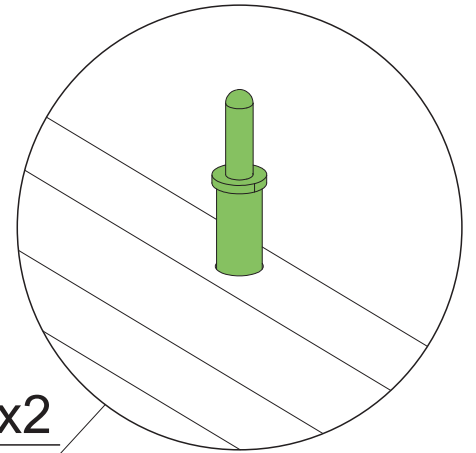
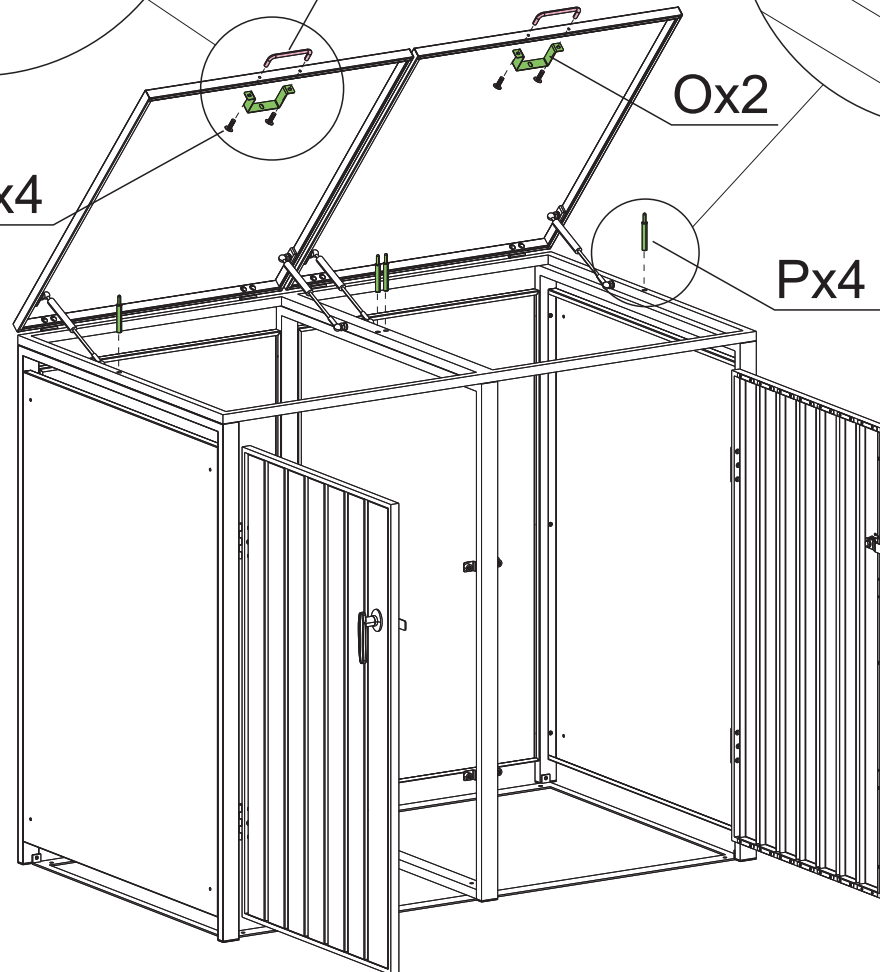


Nx2

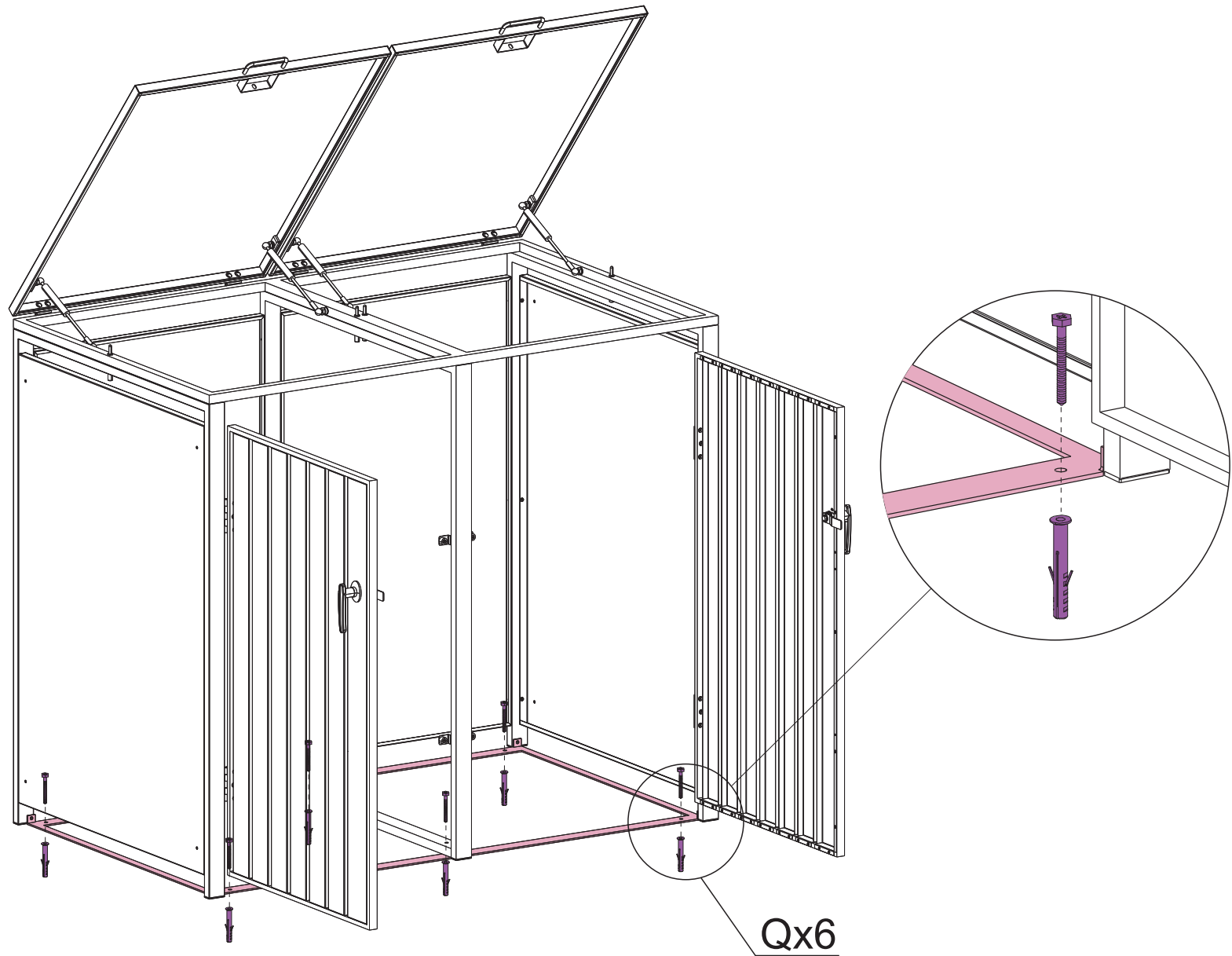
Ox2

Px4

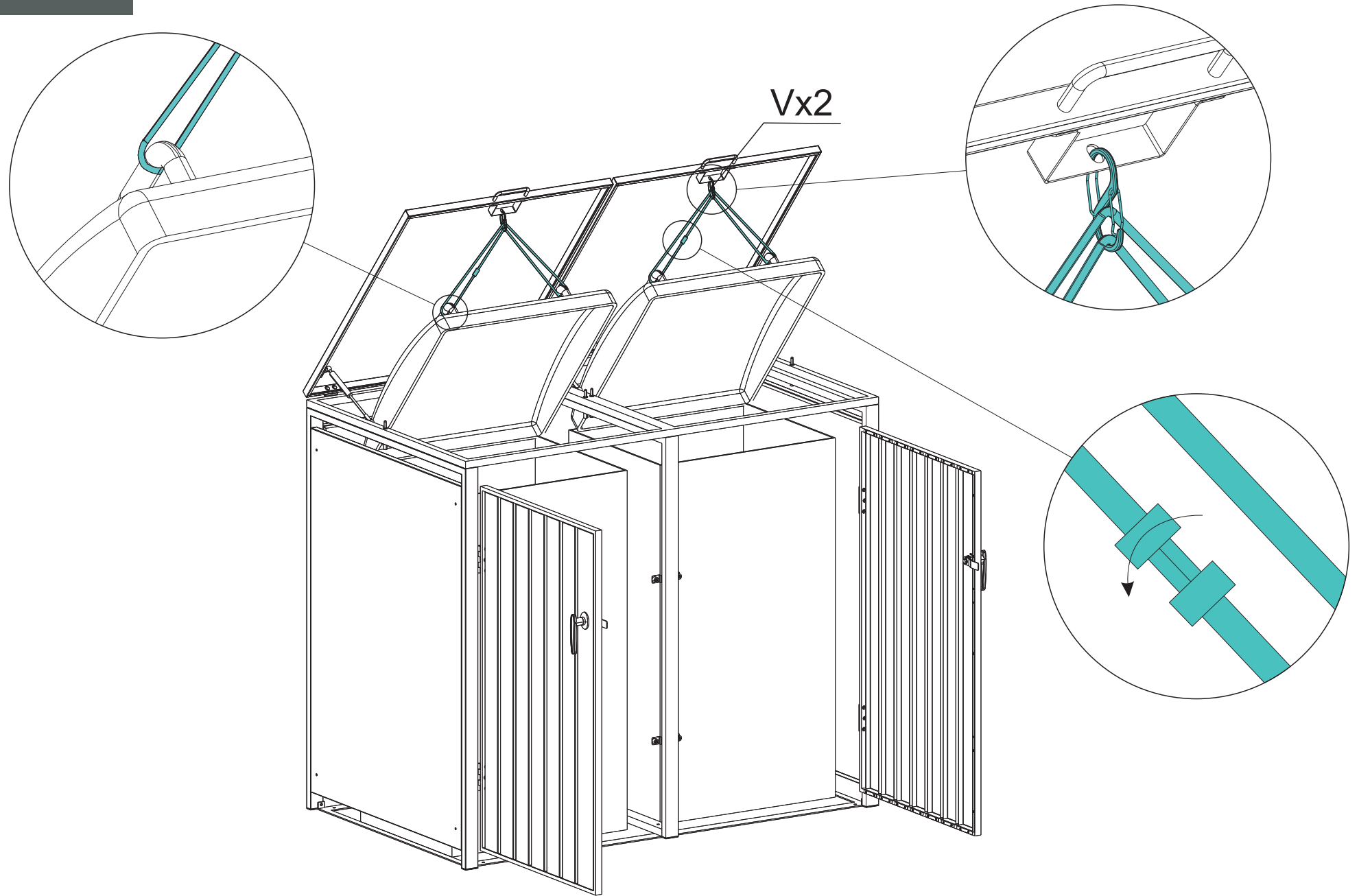
Sx4

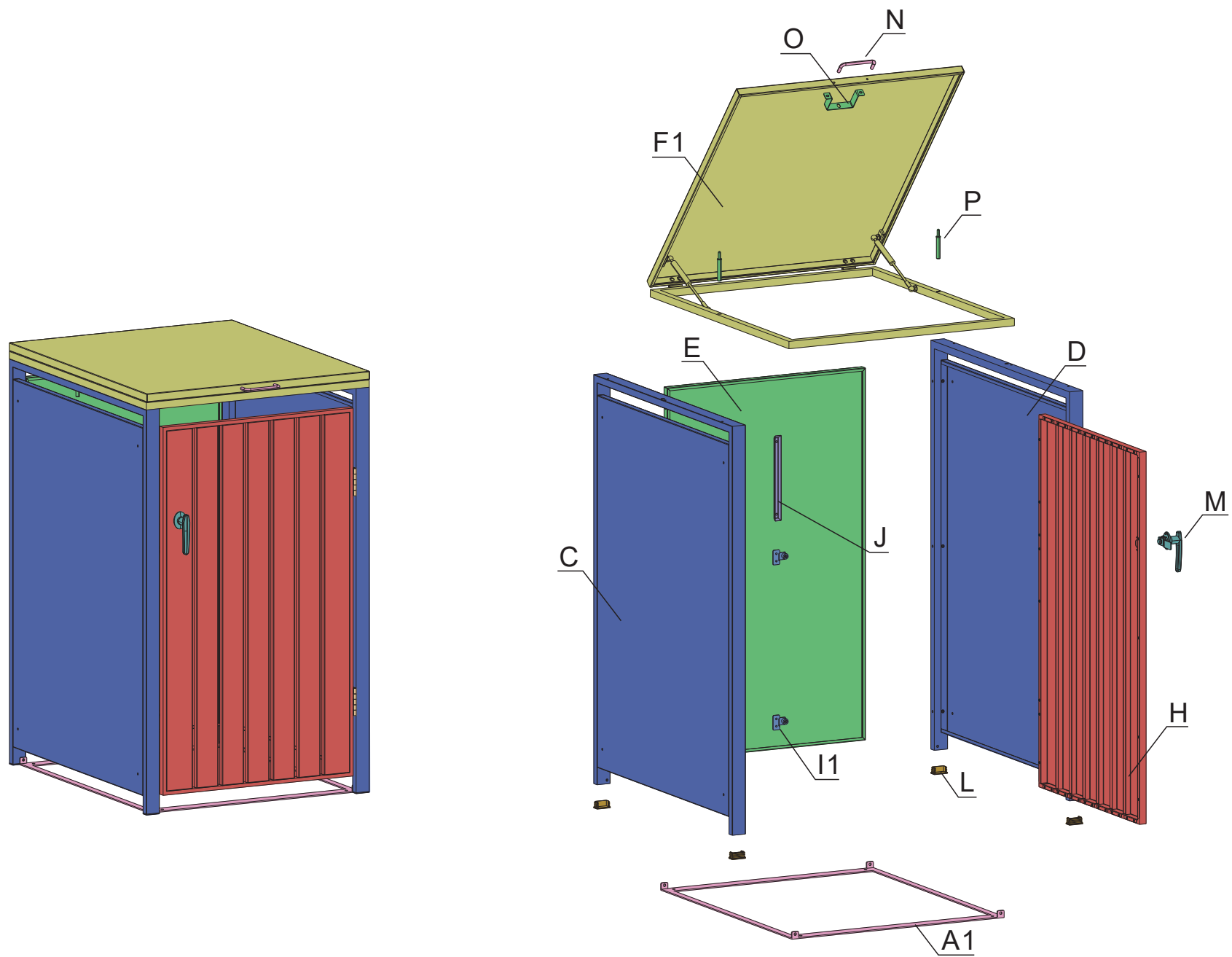


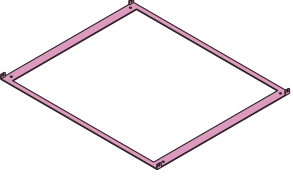
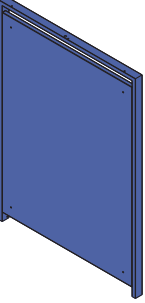
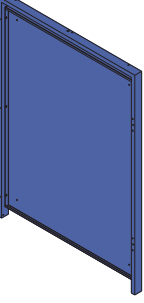
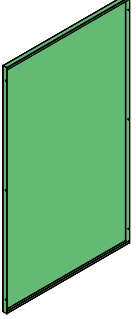
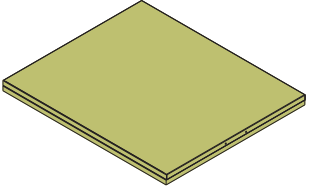
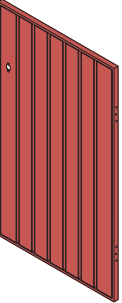
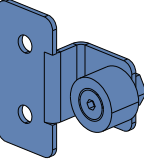
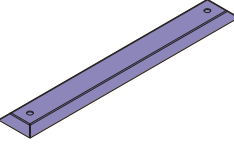
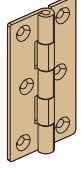
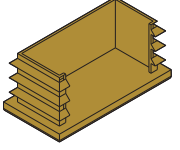
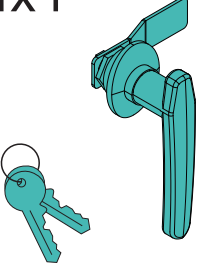
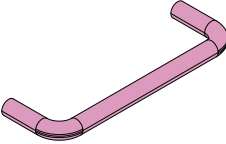
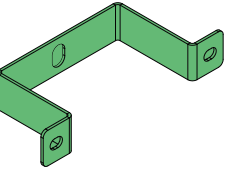

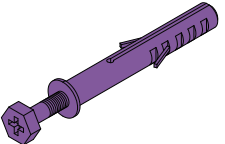
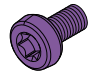
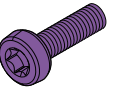
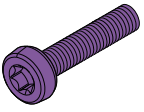
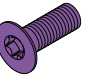
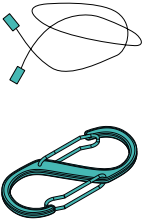


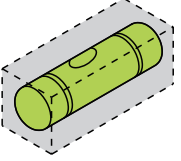
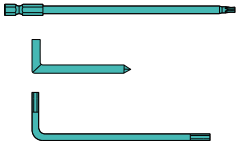
STEP10



STEP11

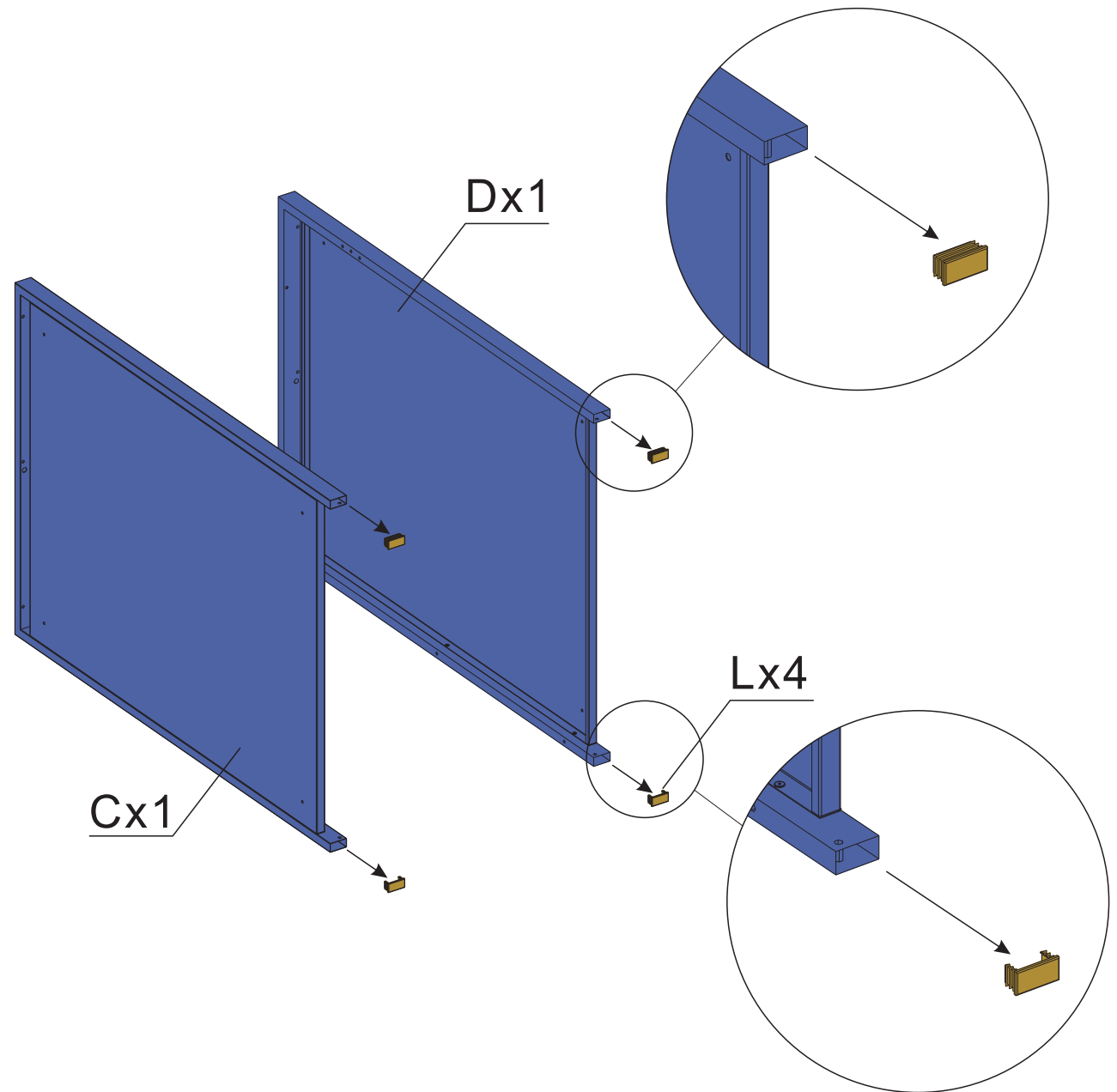
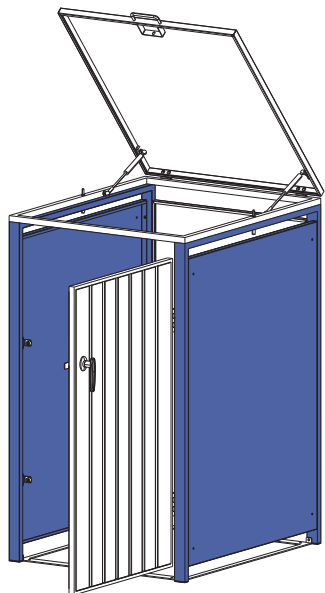
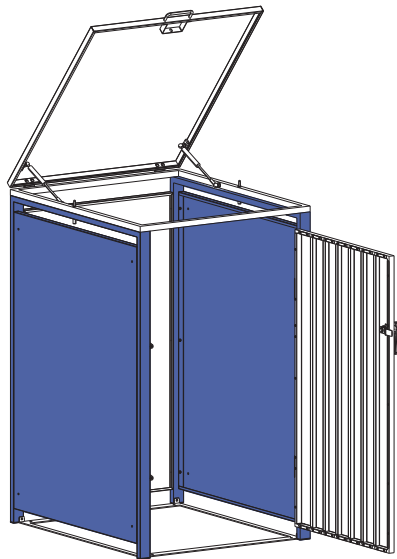




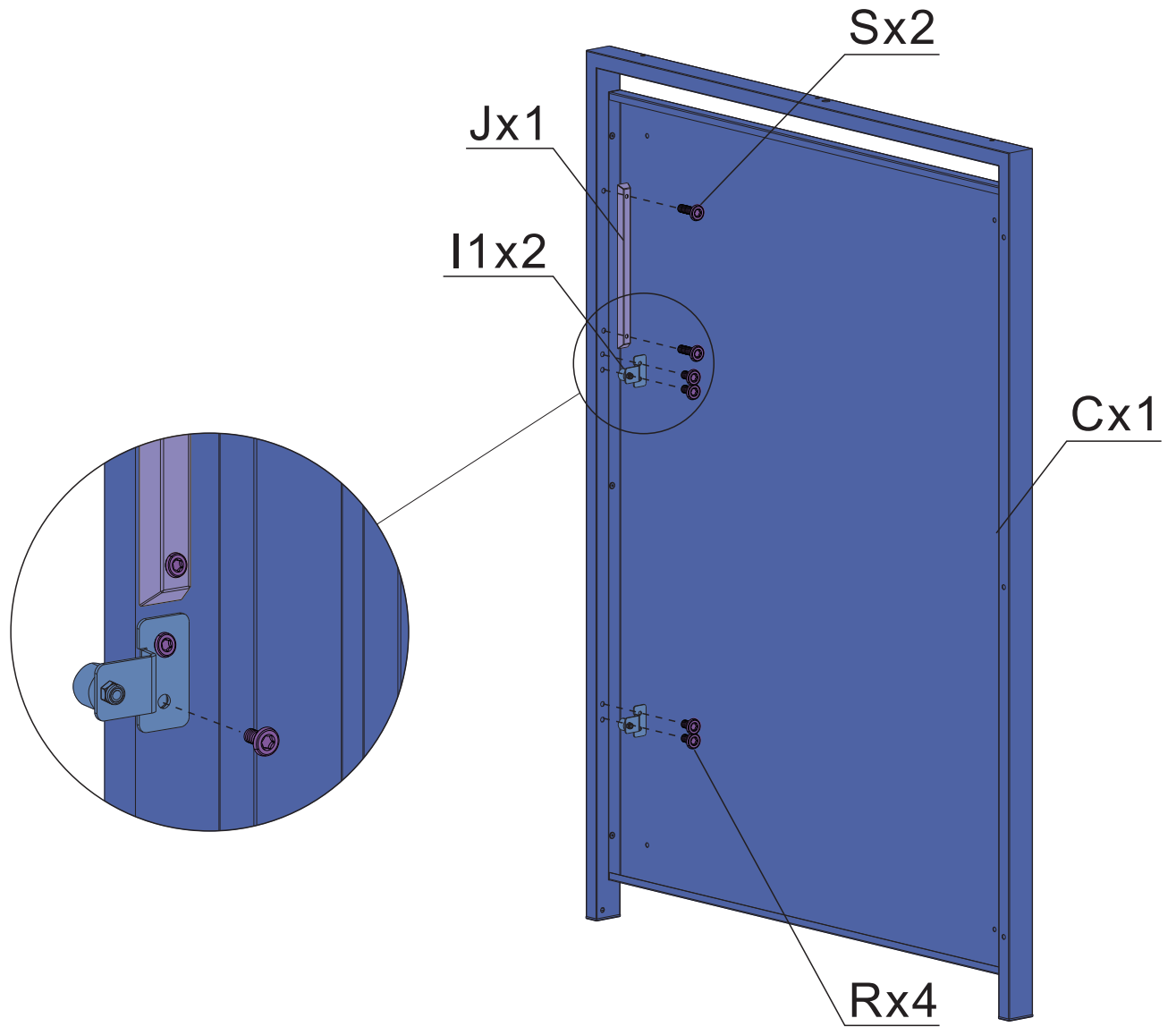
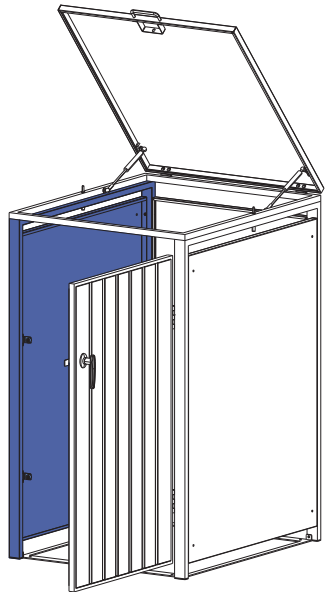
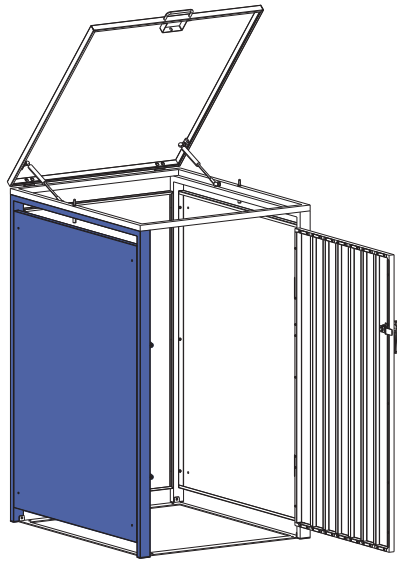
A1x1 	Cx1 	Dx1 	Ex1 	F1x1 		
Hx1 	I1x2 	Jx1 	Kx2 	Lx4 		
Mx1 	Nx1 	Ox1 	Px2 	Qx4 	Rx10  M4x10mm	Sx8  M4x20mm
Tx6  M4x30mm	Ux16  M4x14mm	Vx1 	Wx4 	Xx4 	Yx1 	Zx1 

Note: If you want to connect the similar trash can, please use part S,W,X.

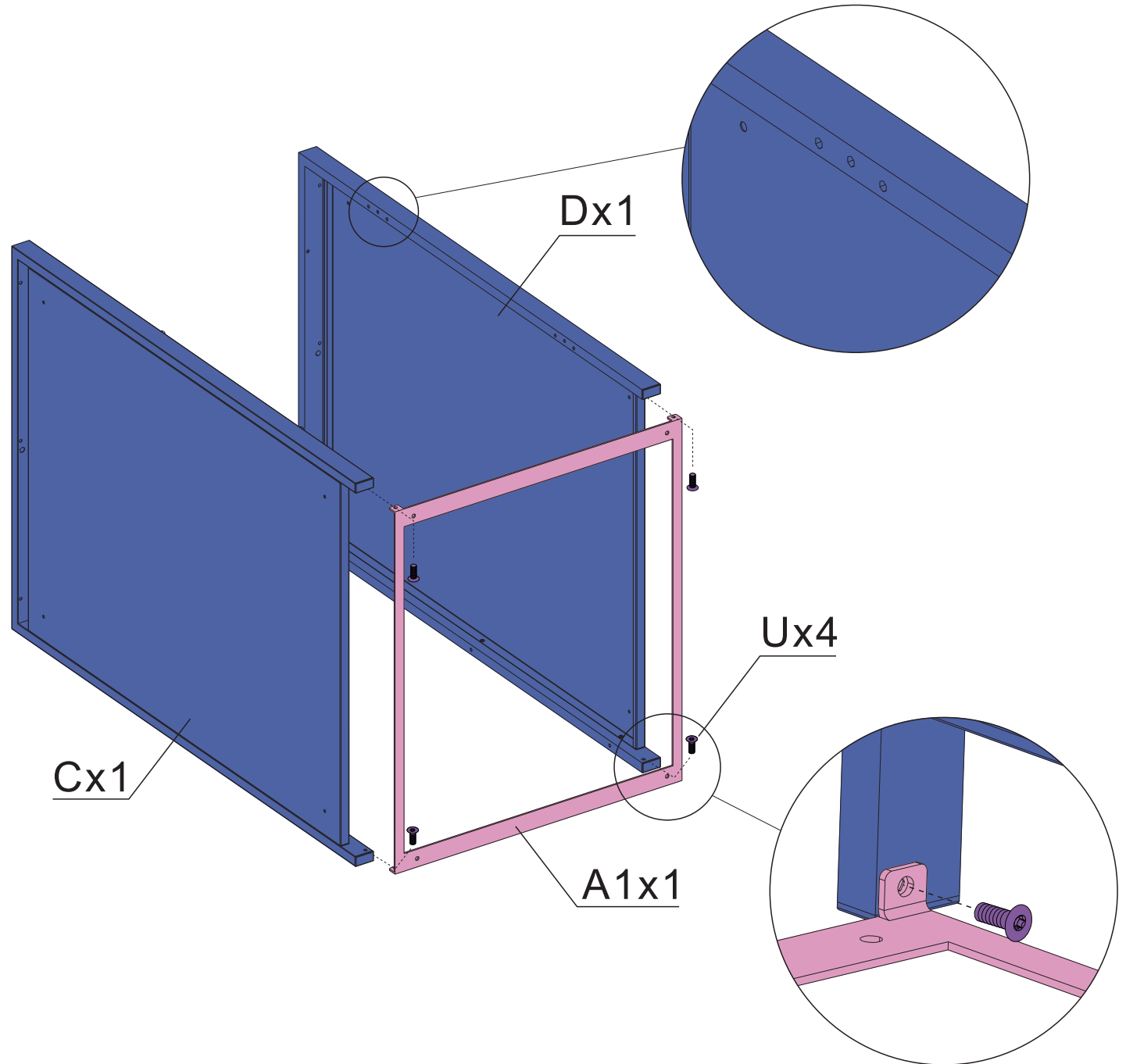
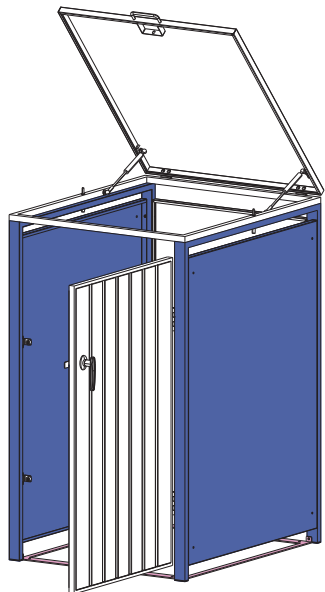
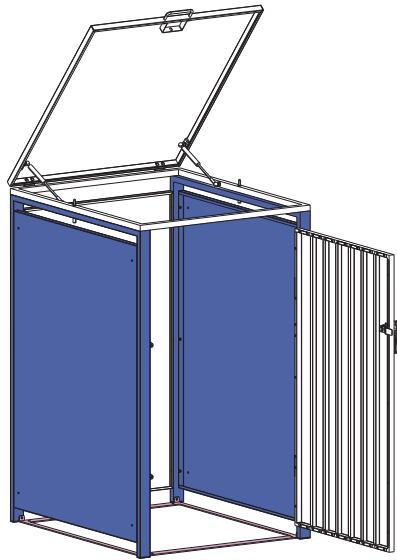
STEP 1



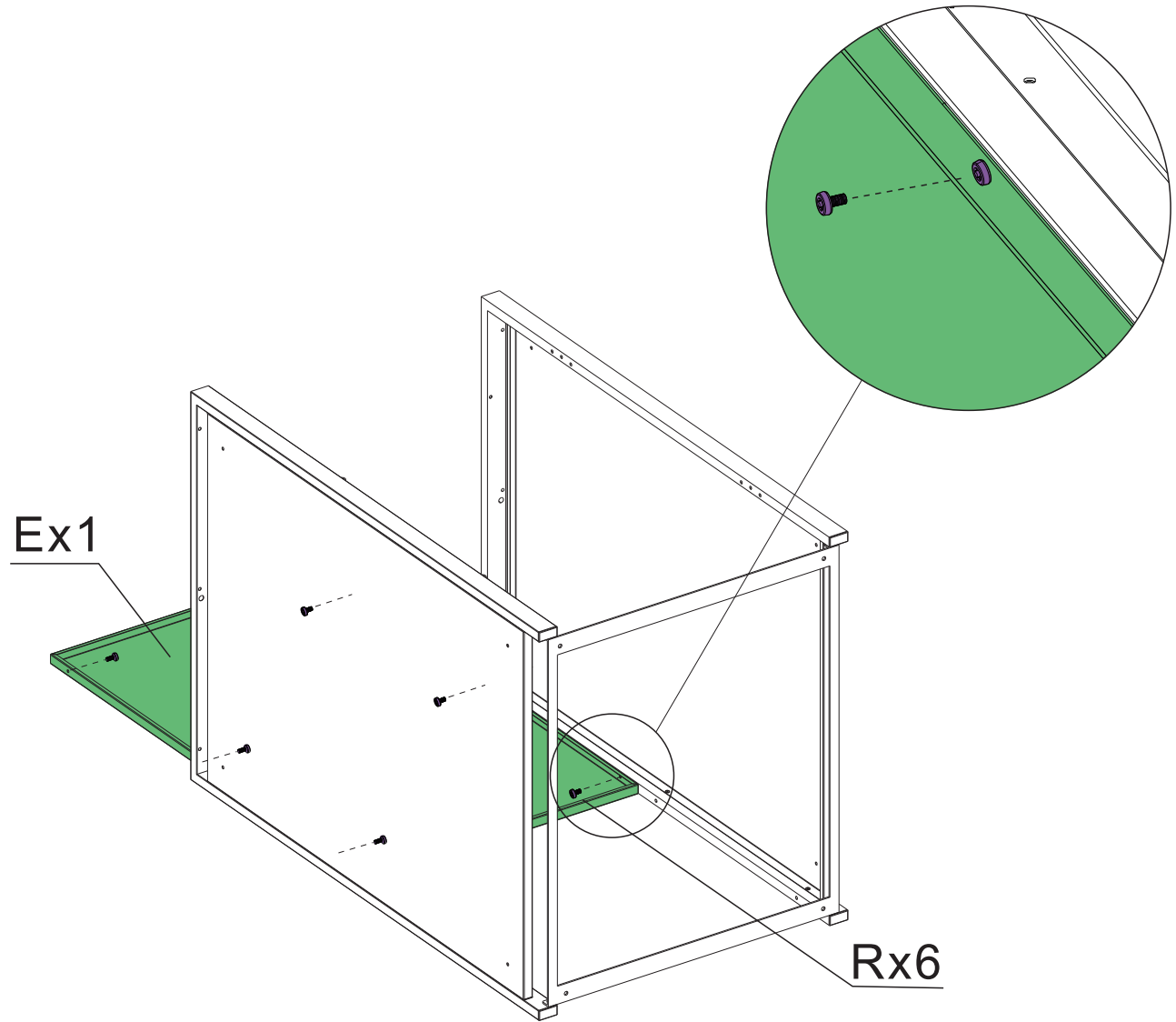
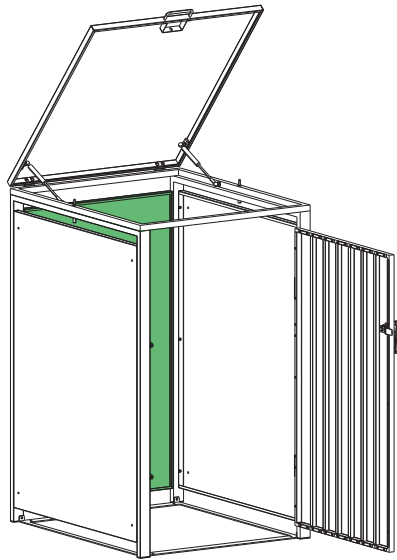
STEP 2



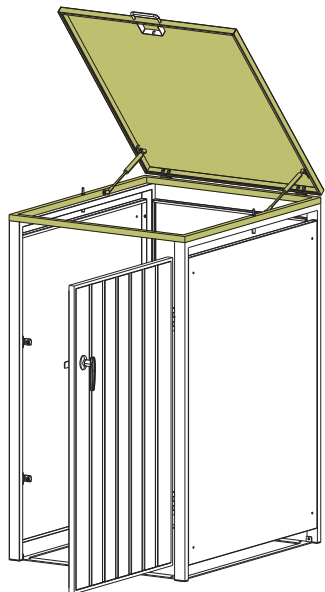
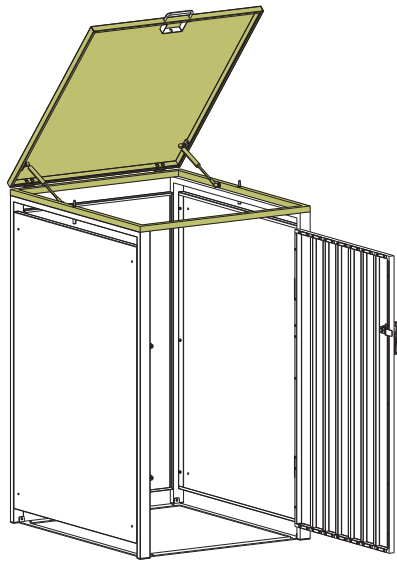
STEP 3



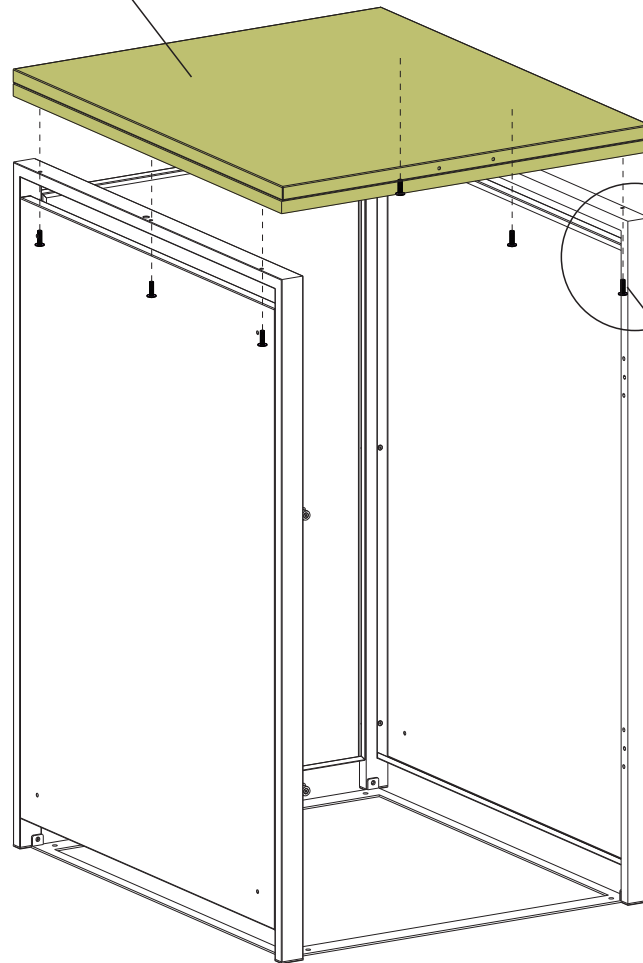
STEP4



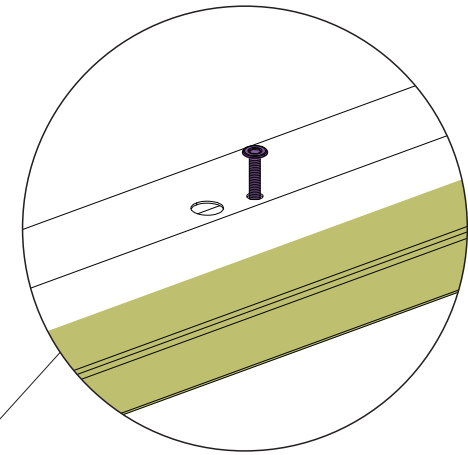
STEP 5



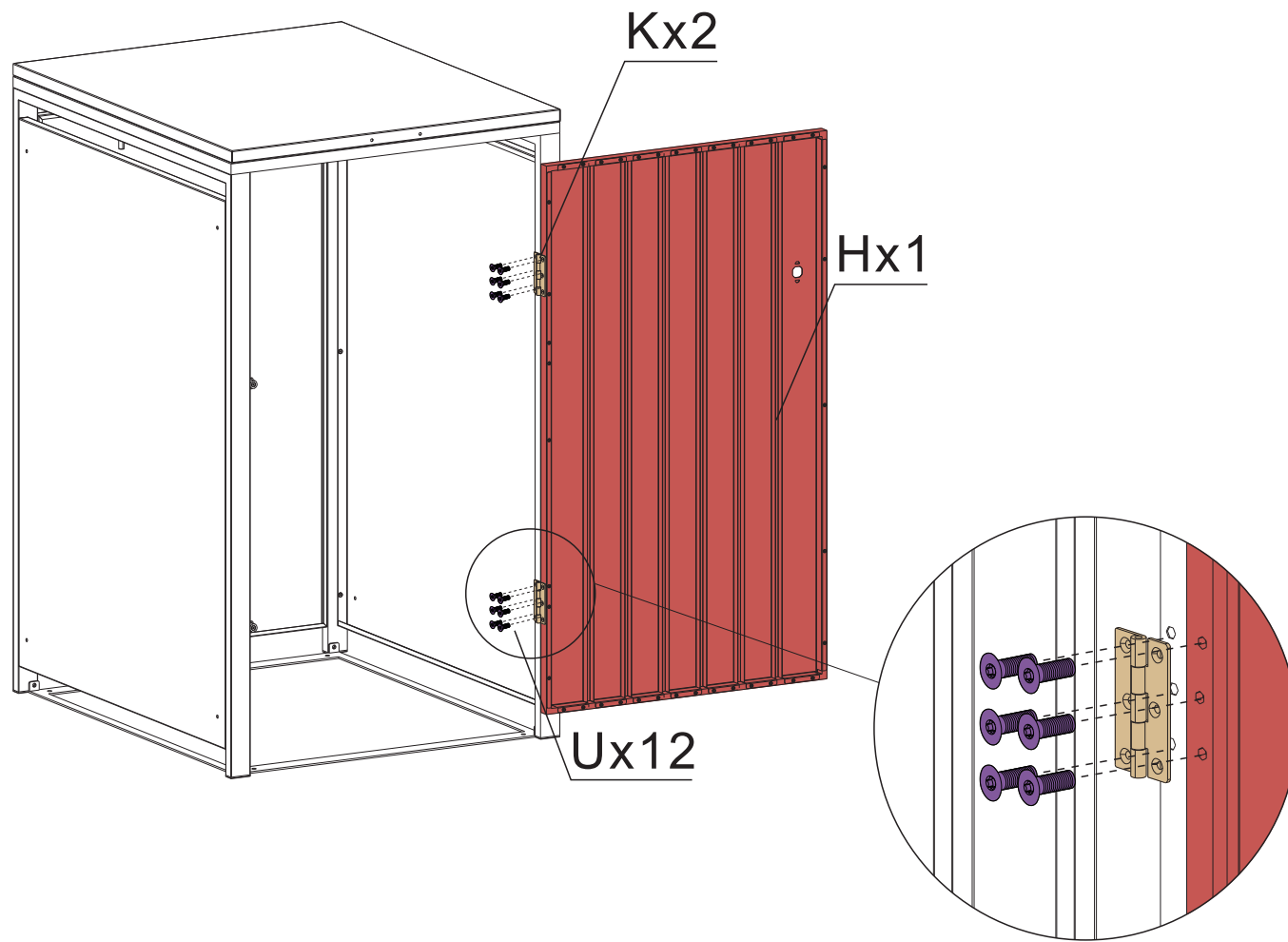
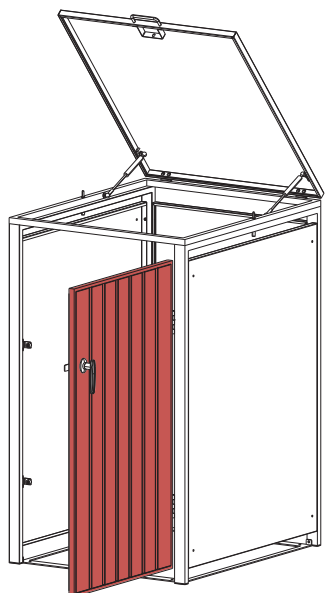
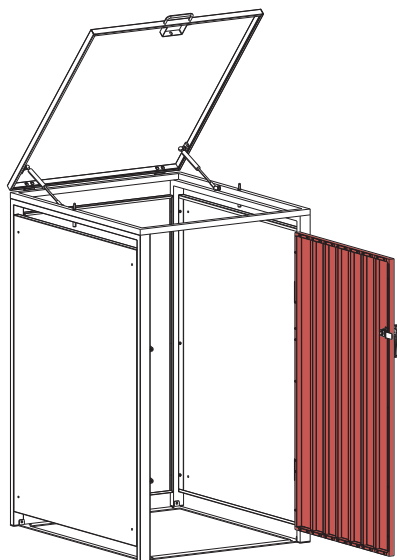
F1x1



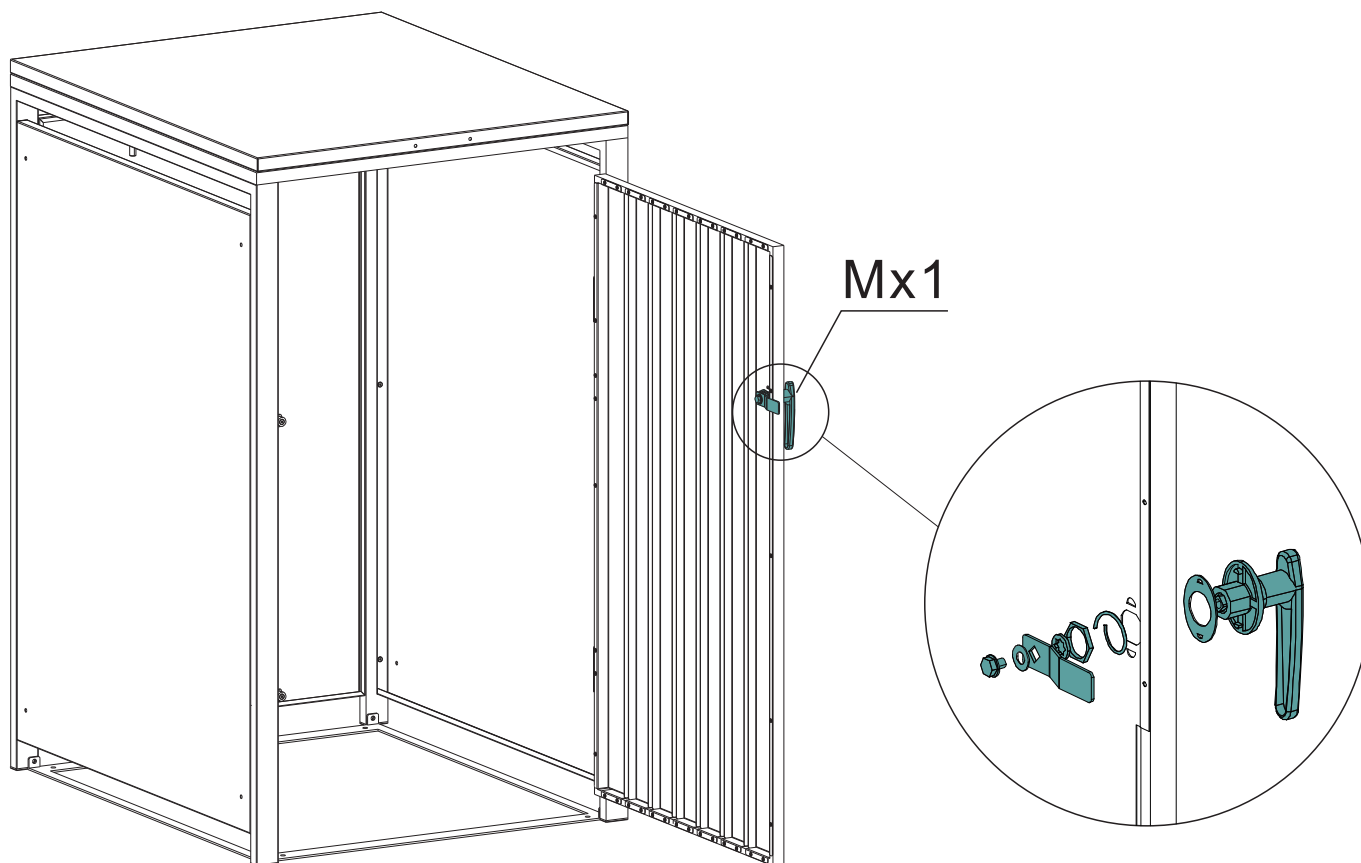
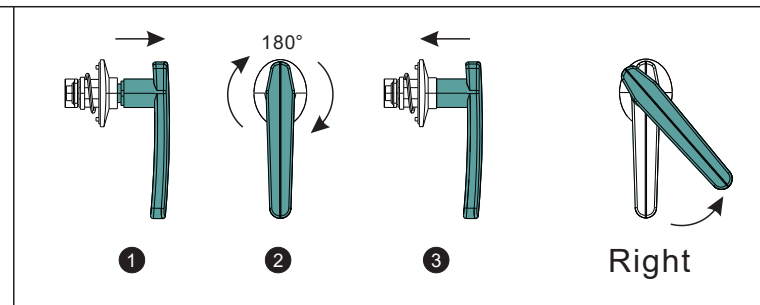
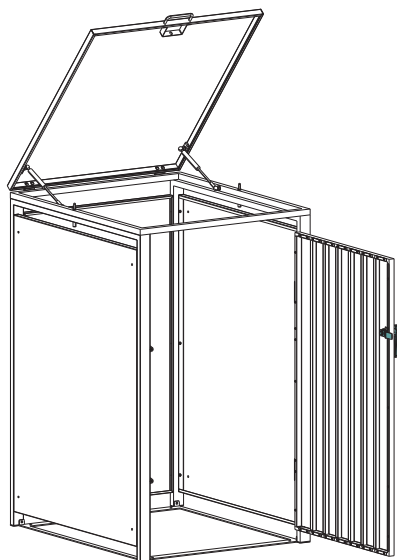
Tx6



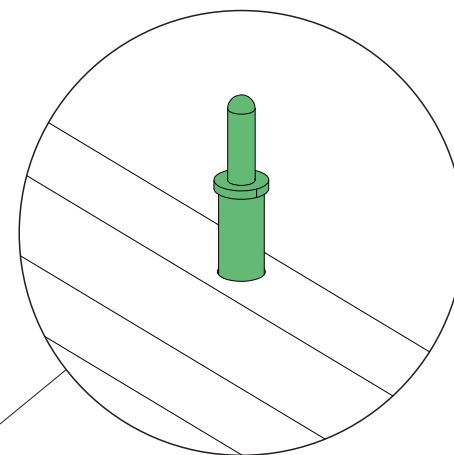
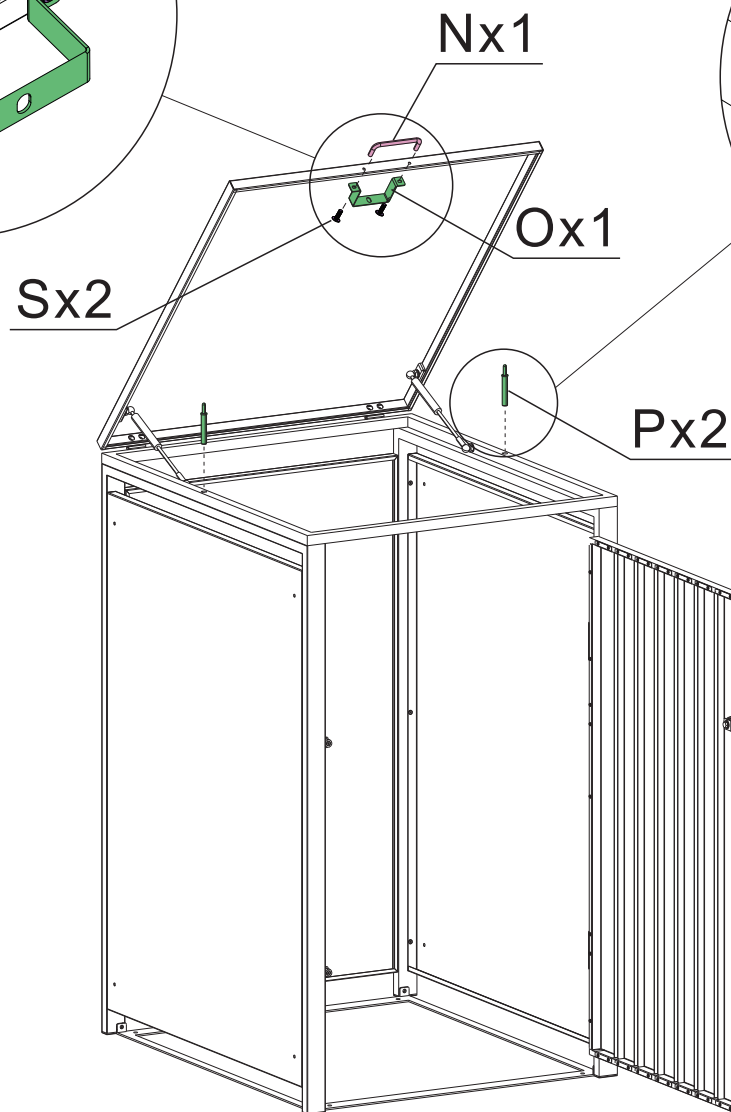
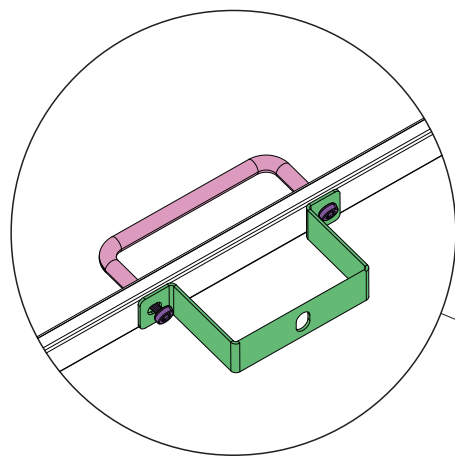
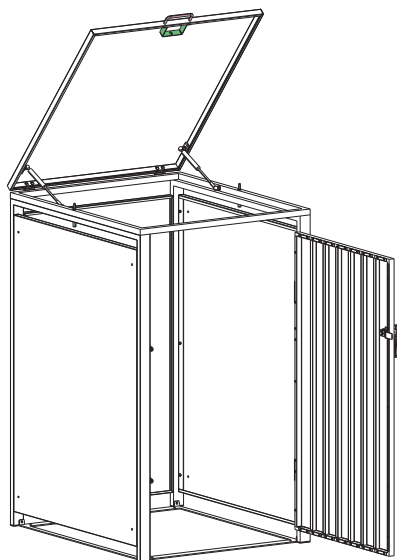
STEP 6



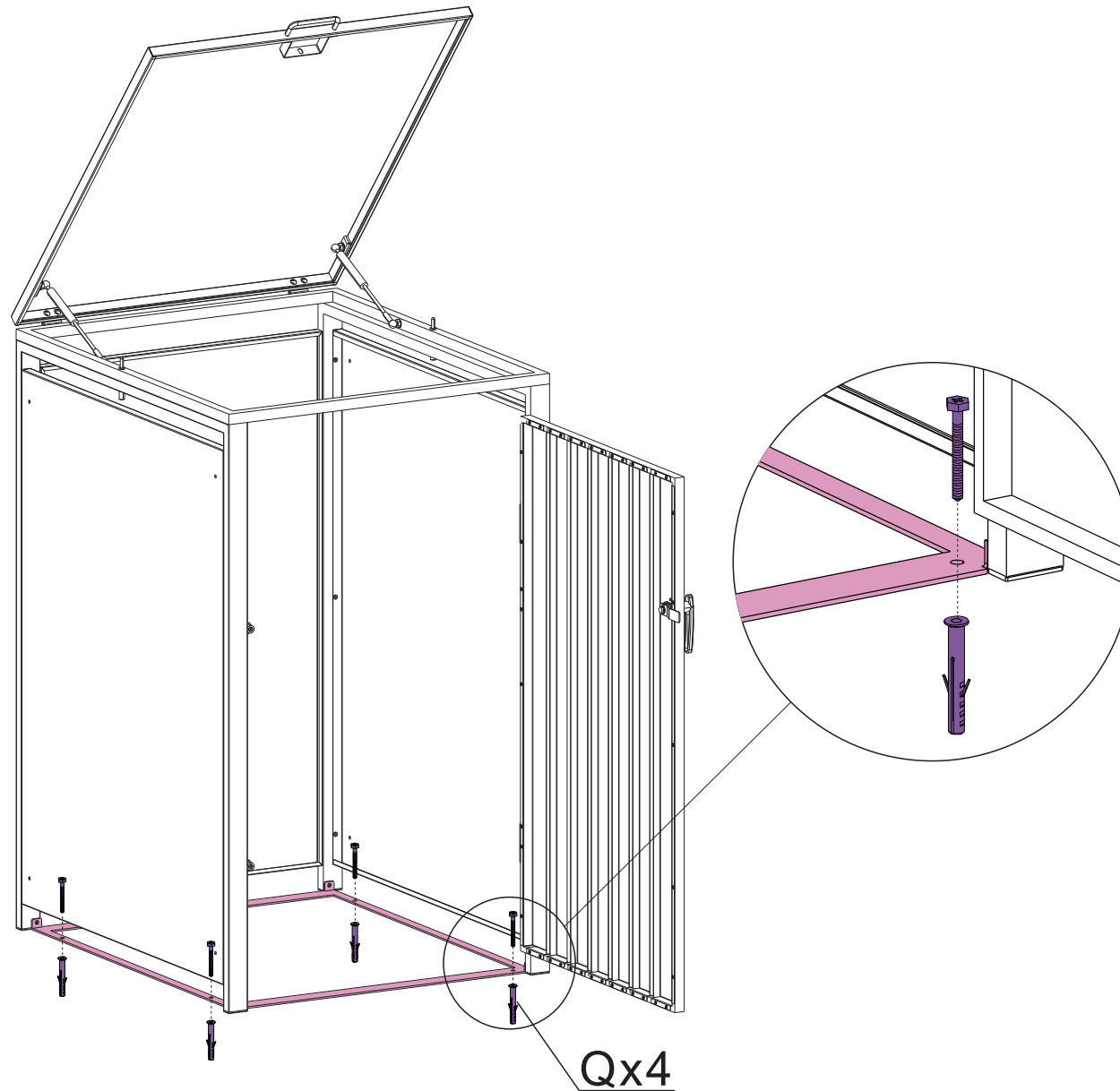
STEP 7



STEP 8



STEP 9



STEP 10

