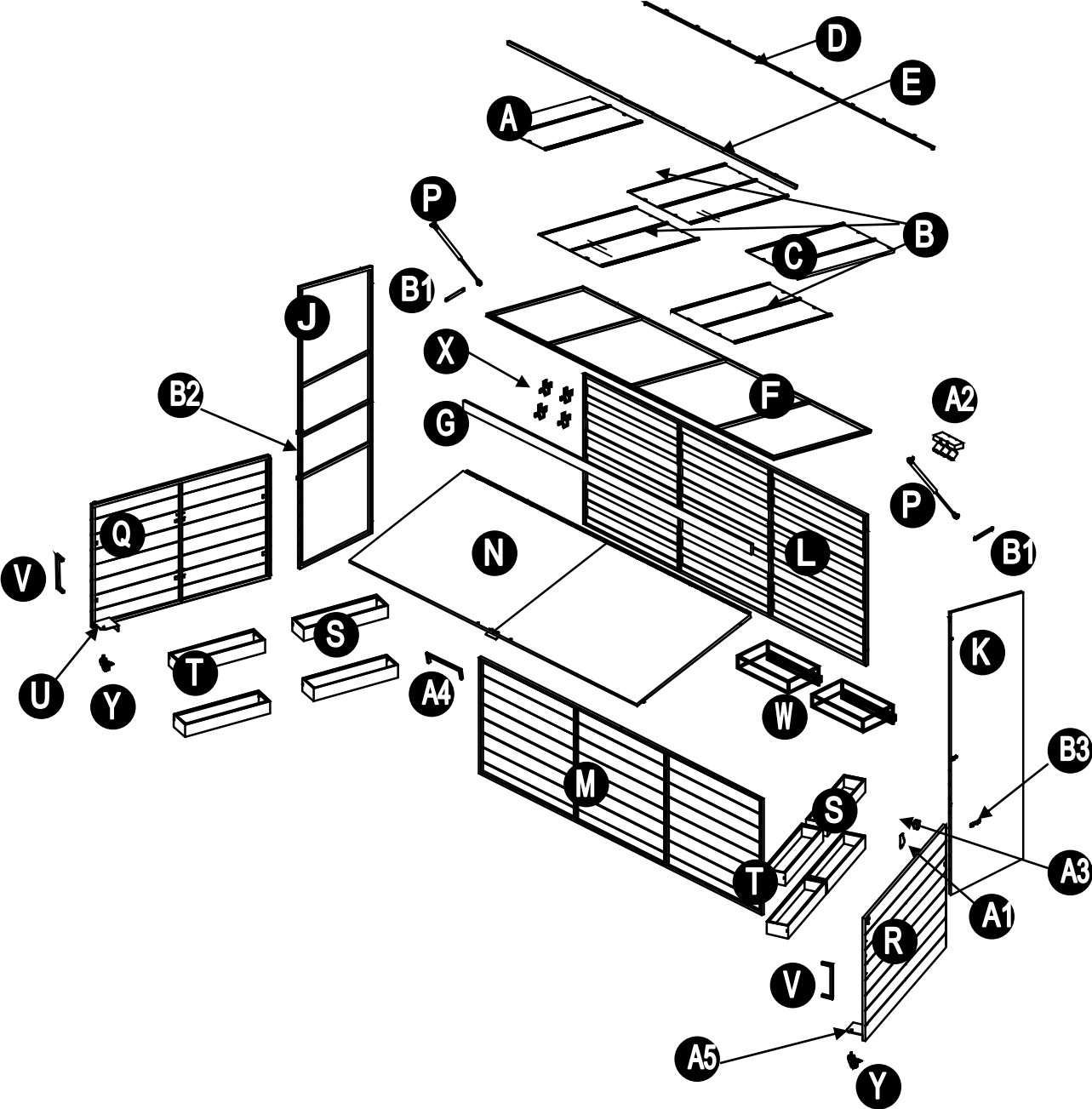
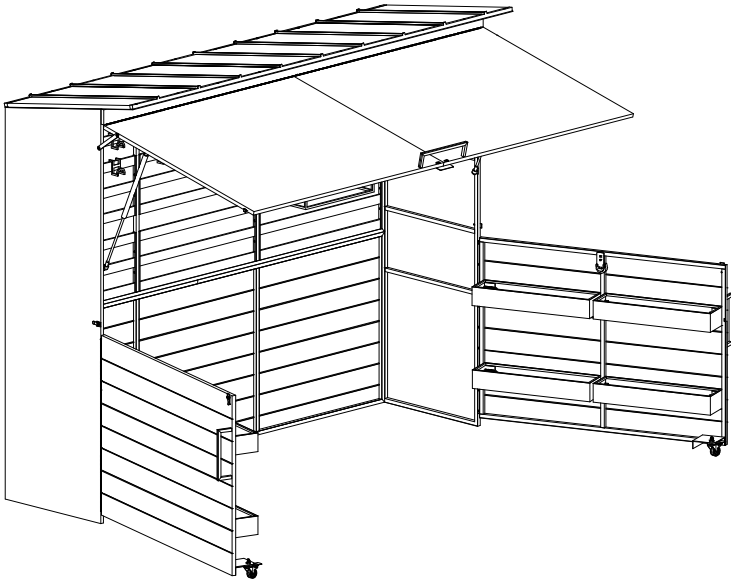
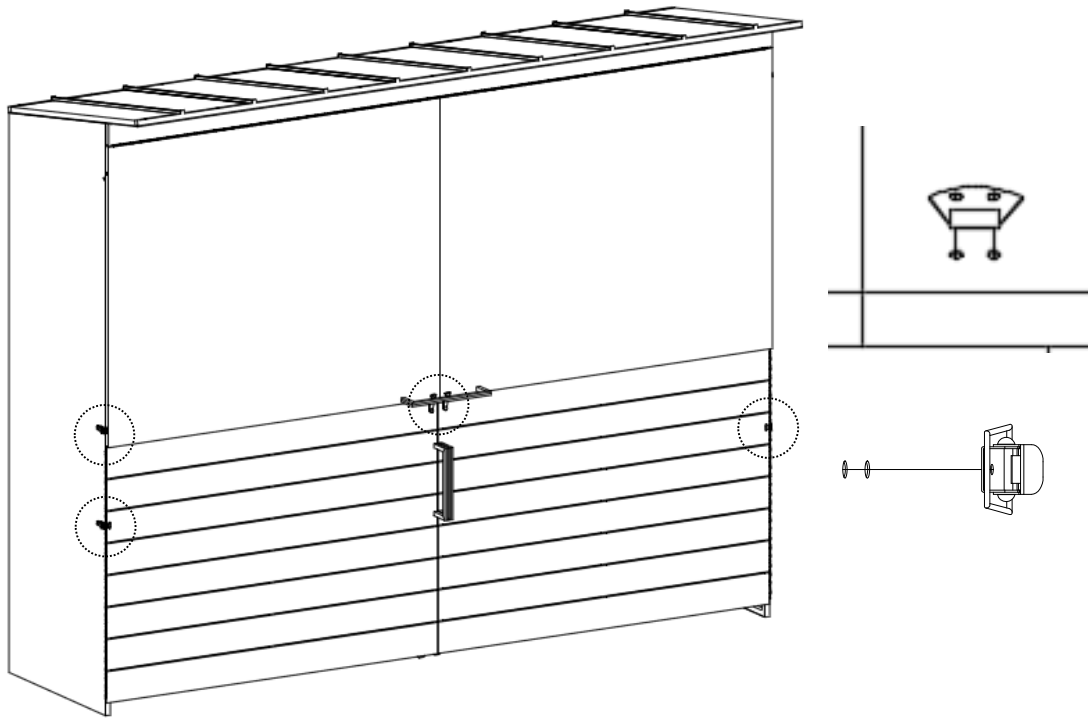


# Outdoor BBQ Storage Shack

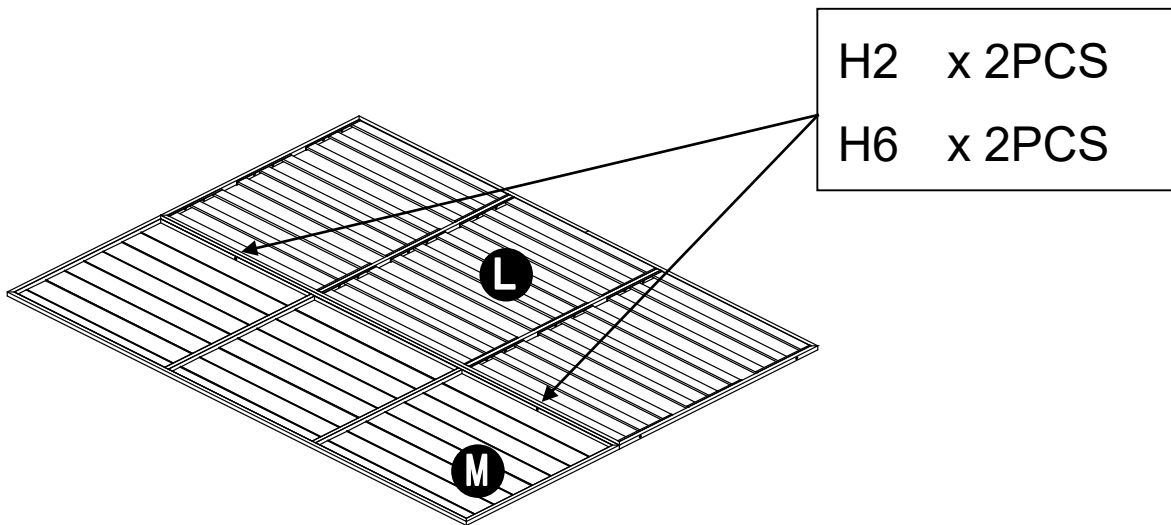


No.	Description	Qty			
A	Left Roof	1	U	Left Wheel Connector	1
B	Middle Roof	3	V	L/R Doorknob	2
C	Right Roof	1	W	Big Shelf	2
D	Roof Side Panel 1	1	X	Small Shelf	4
E	Roof Side Panel 2	1	Y	Wheel	2
F	Top Panel	1	A1	Remote Control	1
G	Beam	1	A2	Light	1
J	Left Side Panel	1	A3	Remote Holder	1
K	Right Side Panel	1	A4	Flip Doorknob	1
L	Back Upper Panel	1	A5	Right Wheel Connector	1
M	Back lower Panel	1	H1	Bolt M6*15	22
N	Door	1	H2	Bolt M6*35	18
P	Gas Lift	2	H3	Bolt M4*10	46
Q	Left Door	1	H4	Hexagon Bolt M6*15	4
R	Right Door	1	H5	Nut M12	2
S	Flowerpot 1	4	H6	Washer M6	42
T	Flowerpot 2	4	H7	Allen Wrench M6	1
B1	Support Bar	2	H8	Screw 4.8*10	2
B2	Left Fixed Part	1	H9	Wrench M6	1
B3	Right Fixed Part	1	H10	Wrench M12	1
			H11	Bolt M4*30	6
			H12	Bolt M10*100	4
			H13	Bolt M4*15	4
			H14	Connector 1	6
			H15	Connector 2	6

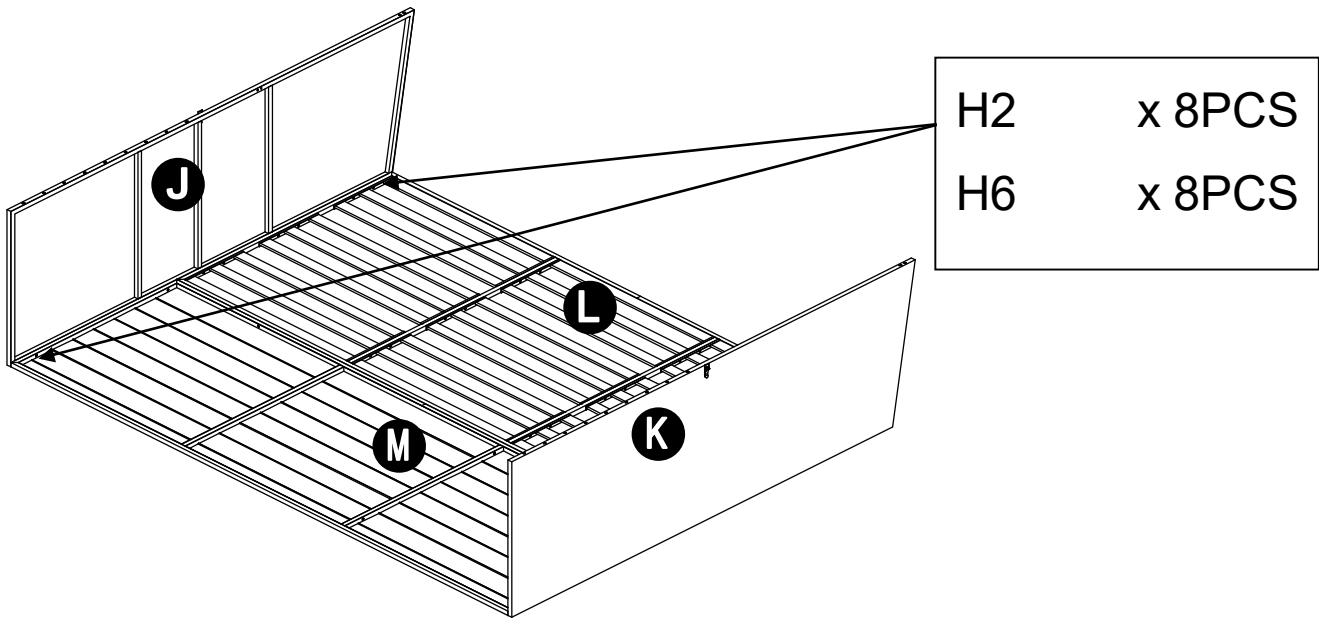


**Buckle instructions:**

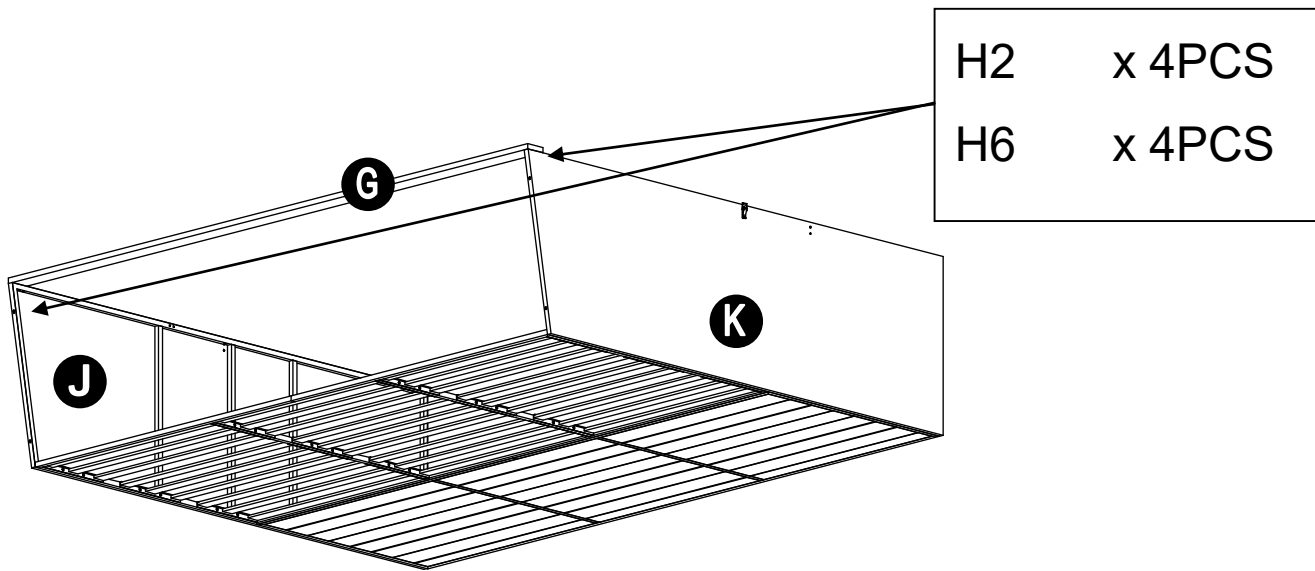
Locker positions.



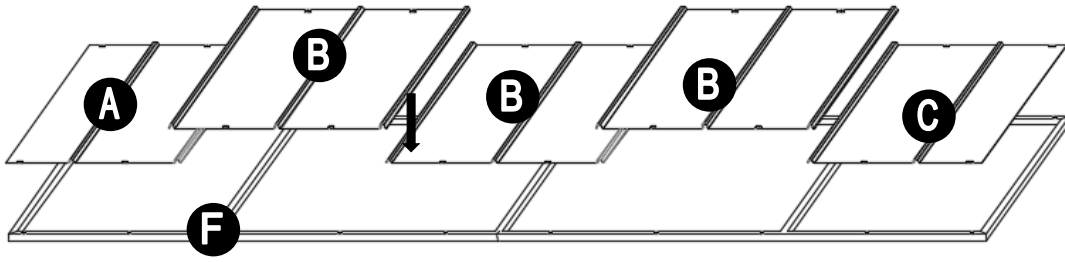
Attach upper panel (L) to lower panel (M) by bolt (H2) and washer (H6).



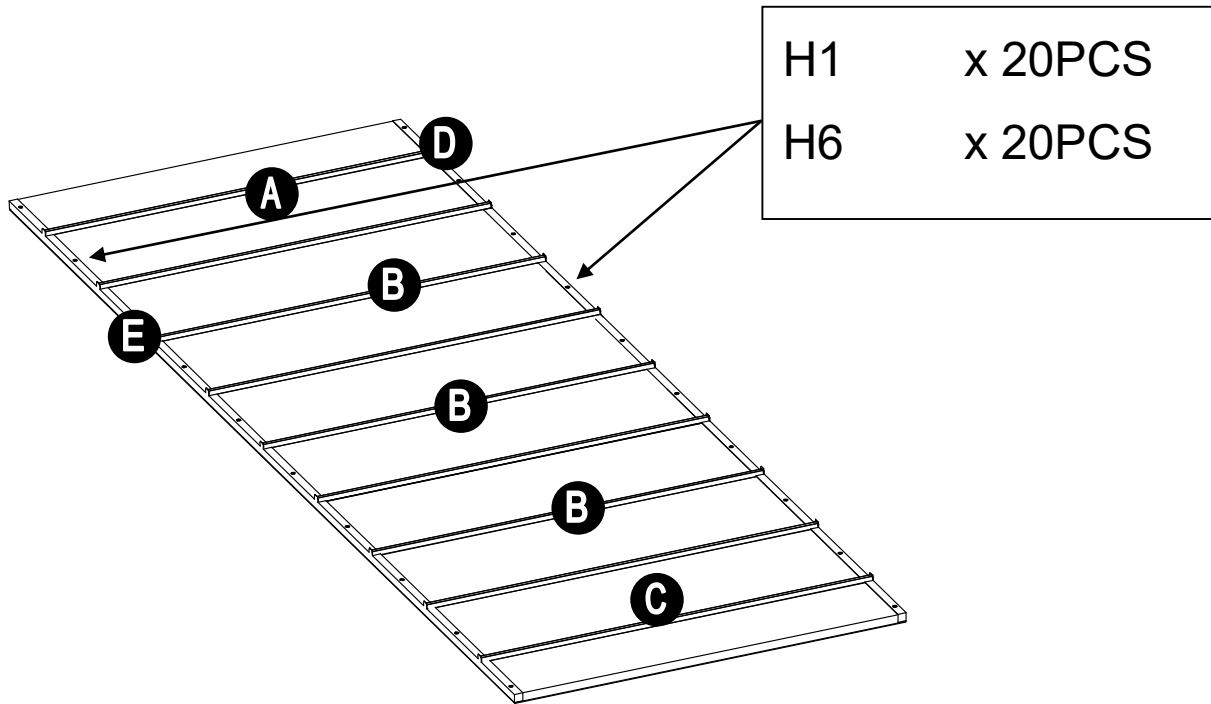
Attach left/right side panel (J/K) to upper/lower panel (L/M) by bolt (H2) and washer (H6).



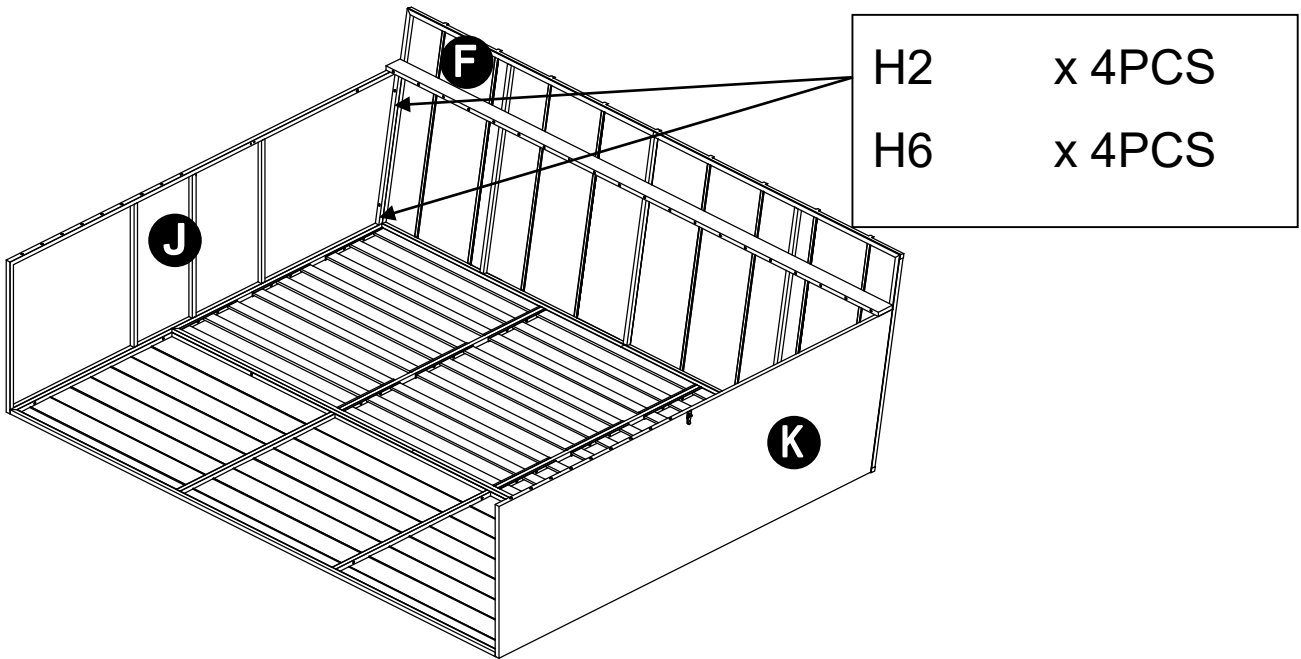
Attach beam (G) to left/right side panel (J/K) by bolt (H2) and washer (H6).



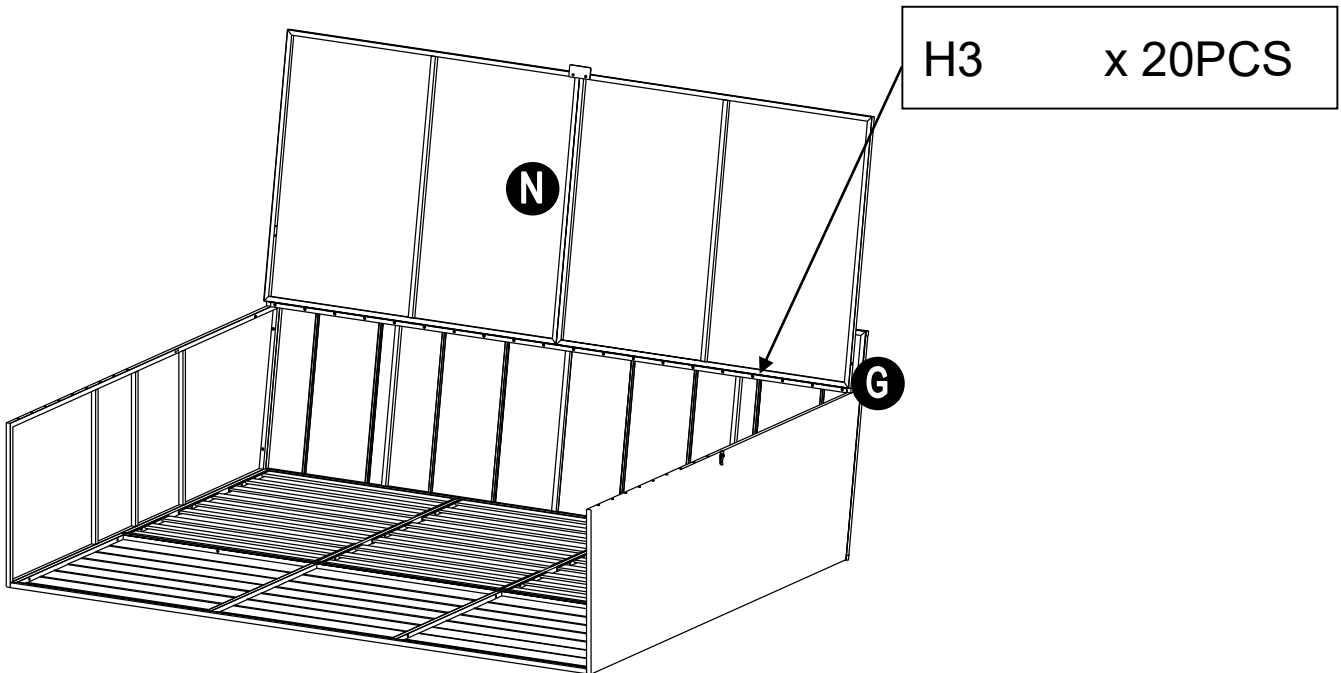
Put roof (A/B/C) on panel (F).



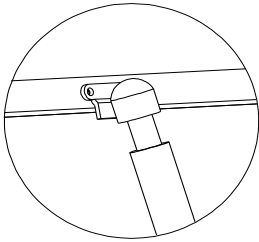
Attach side panel (D/E) to roof (A/B/C/F) by bolt (H1) and washer (H6).



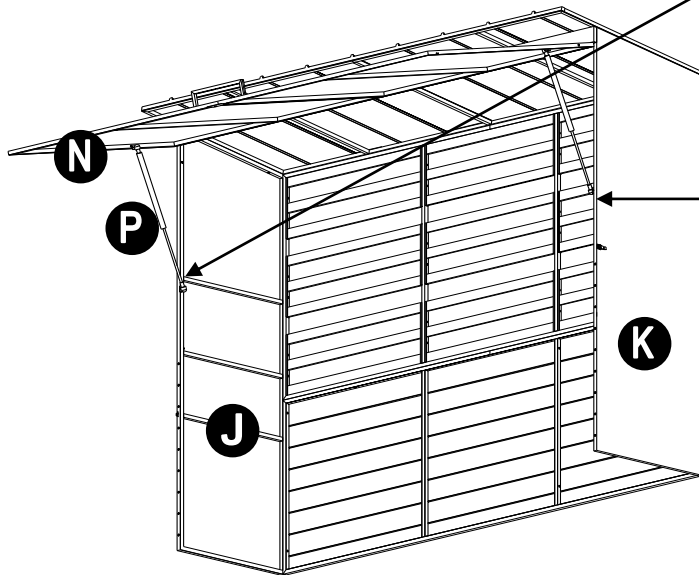
Attach roof (F) to left/right side panel (J/K) by bolt (H2) and washer (H6).



Attach door (N) to beam (G) by bolts (H3).

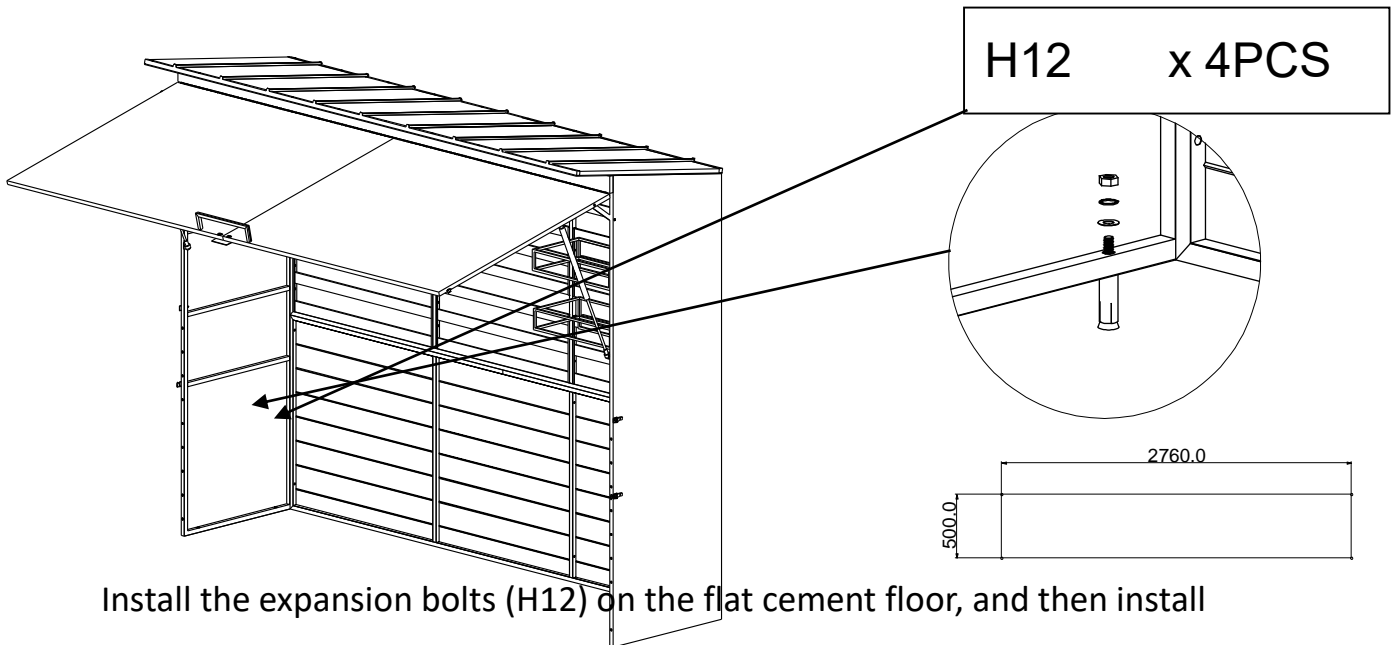


H3 x 8PCS



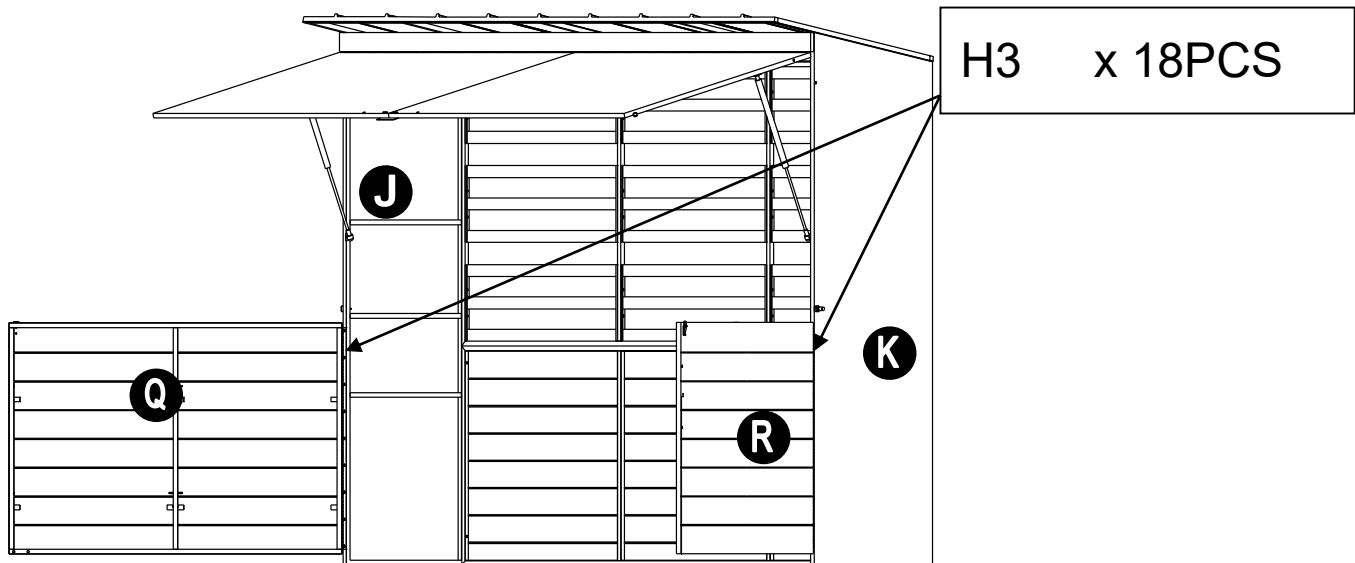
**Warning:** DO NOT put your hand between the side panel and the Gas Lift when open and close the door.

Attach Gas Lift (P) to the Flip Door (N), the left side panel (J) and the right side panel (K) by Bolt (H3) .

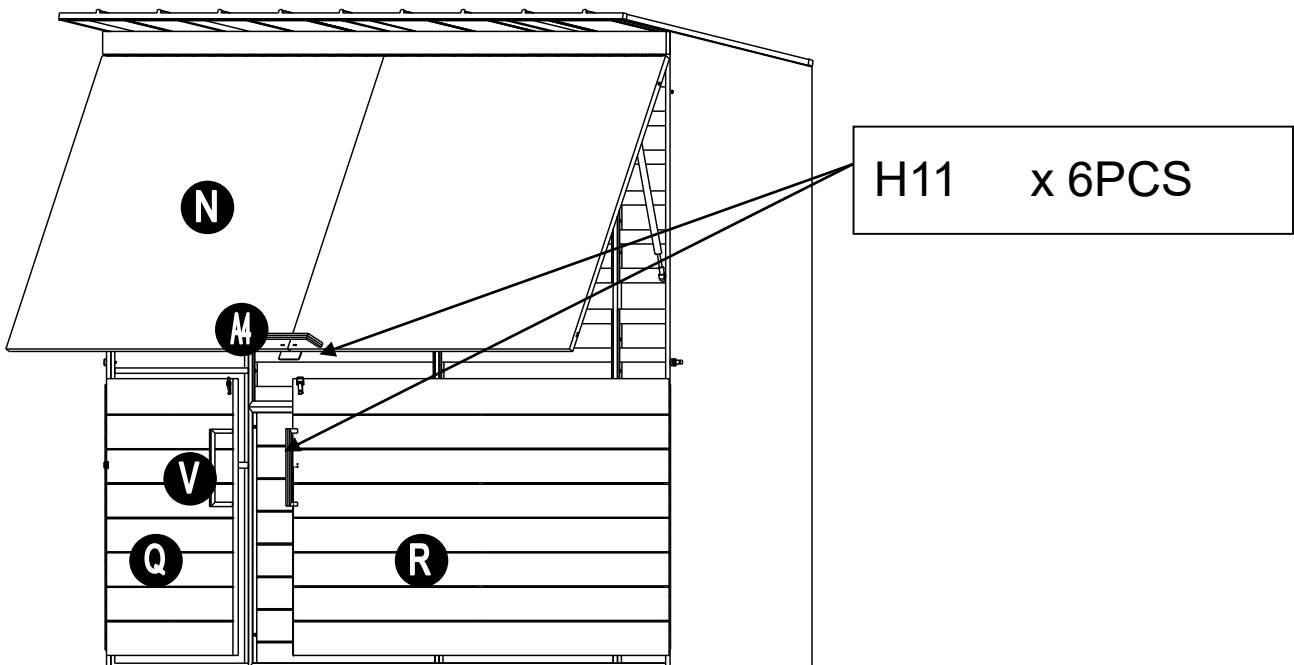


H12 x 4PCS

Install the expansion bolts (H12) on the flat cement floor, and then install the outdoor kitchen on the ground.

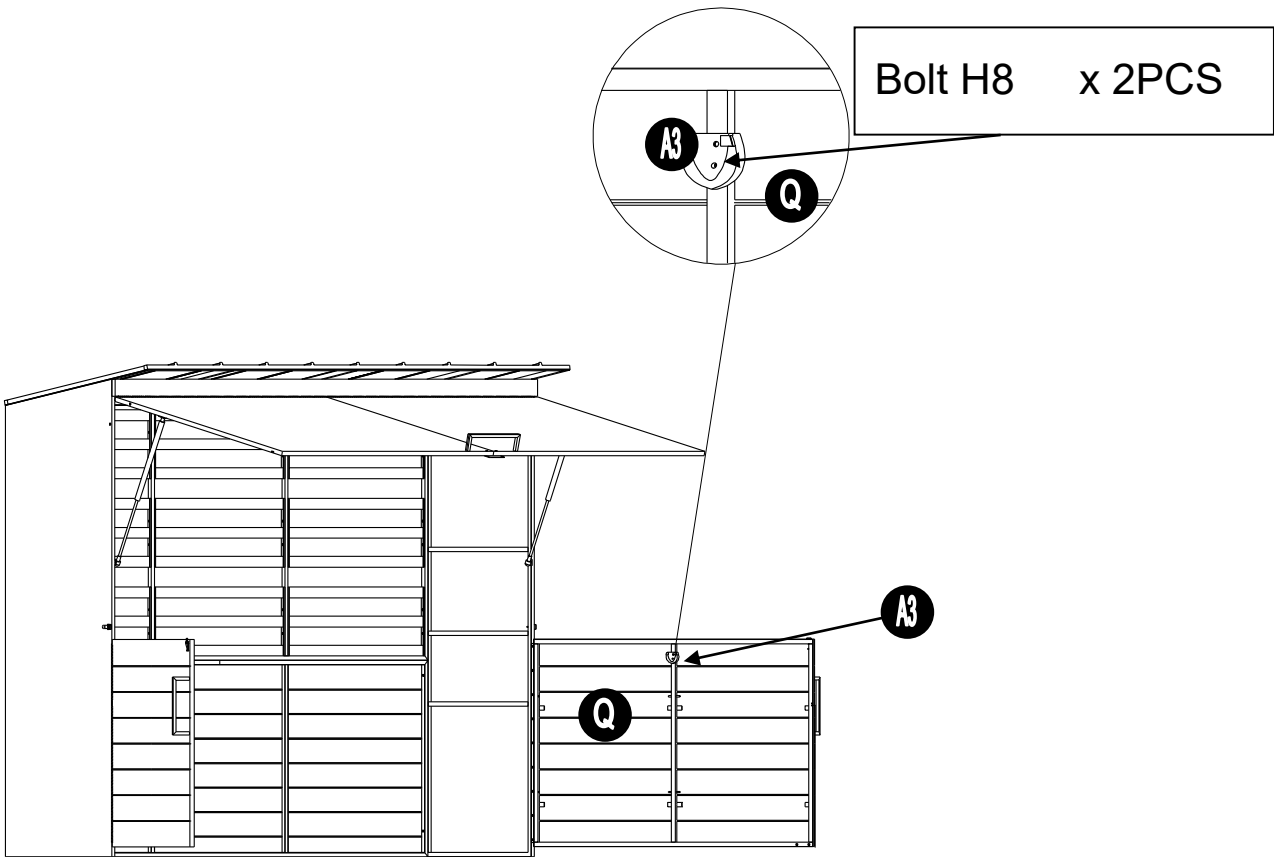


Attach the hinge at the left door (Q) and the right door (R) to the left side panel (J) and the right side panel (K) by Bolt (H3) and lock them.

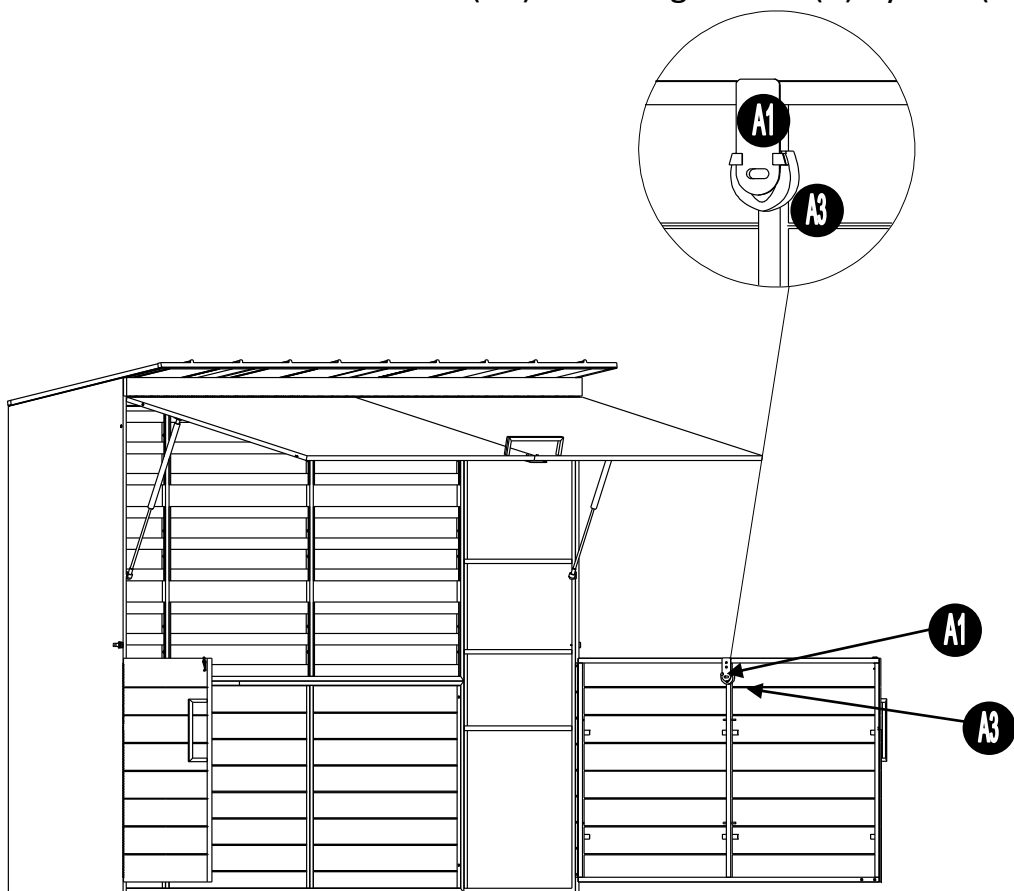


Attach the L/R right Doorknob V to the L/R Door (Q/R), attach Doorknob (A4) to the door (N) by Bolt (H11).

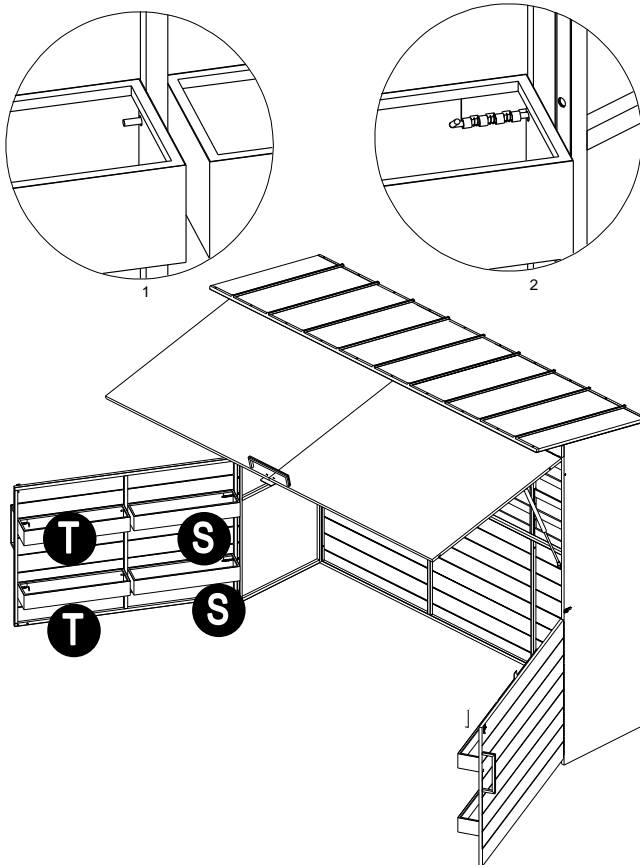




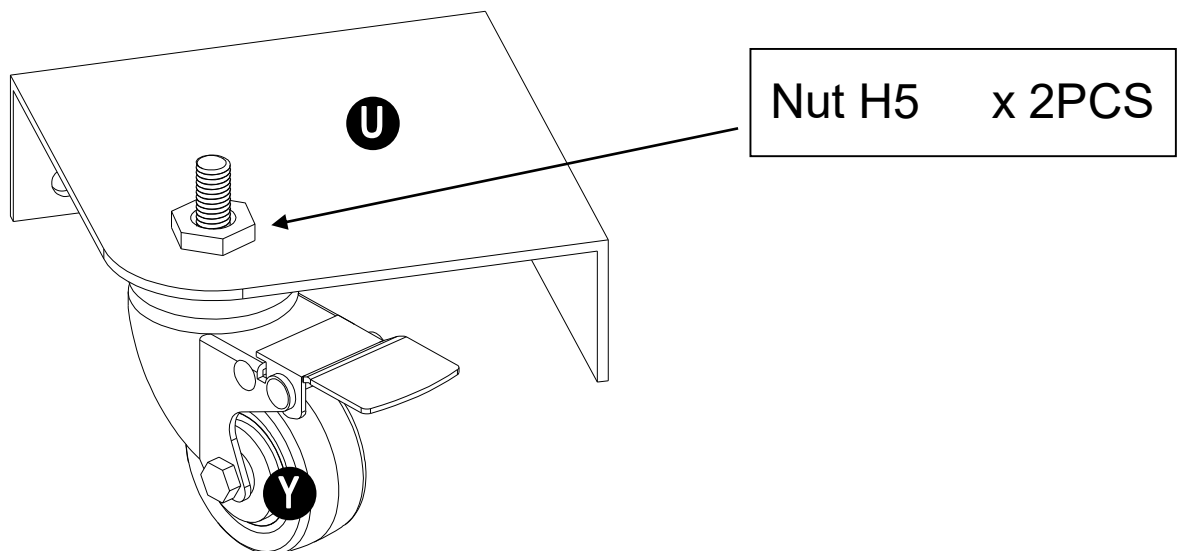
Attach the Remote Holder (A3) to the Right Door (R) by Bolt (H8).



Place remote control (A1) onto remote control holder (A3).



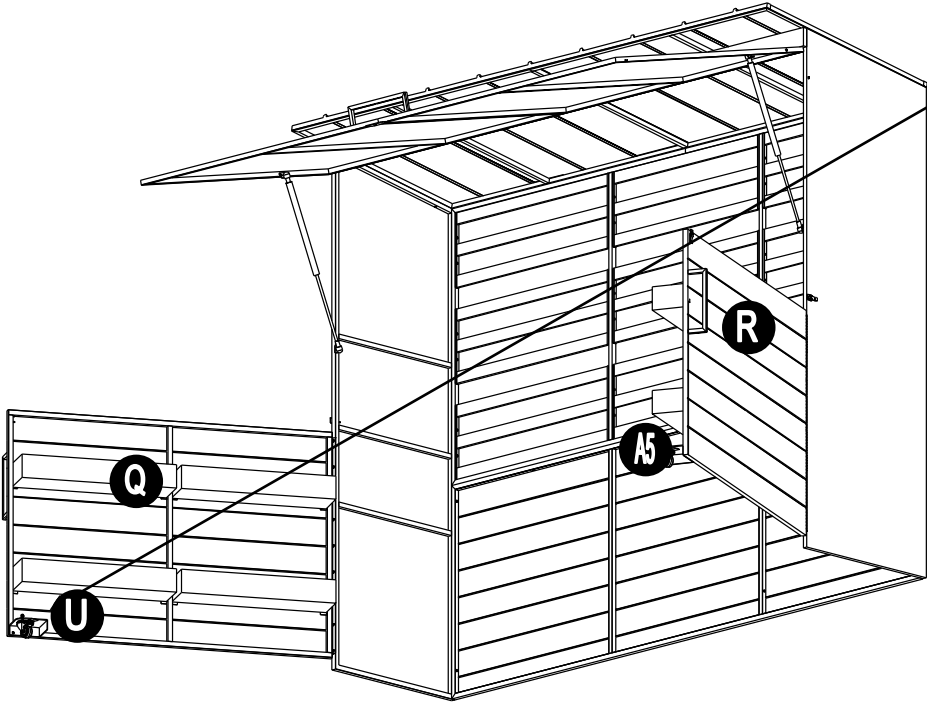
Insert the flowerpot 1 and 2 (S/T) into the hinge at L/R door (Q/R), and then fix the other end of the flowerpot with safty pin.



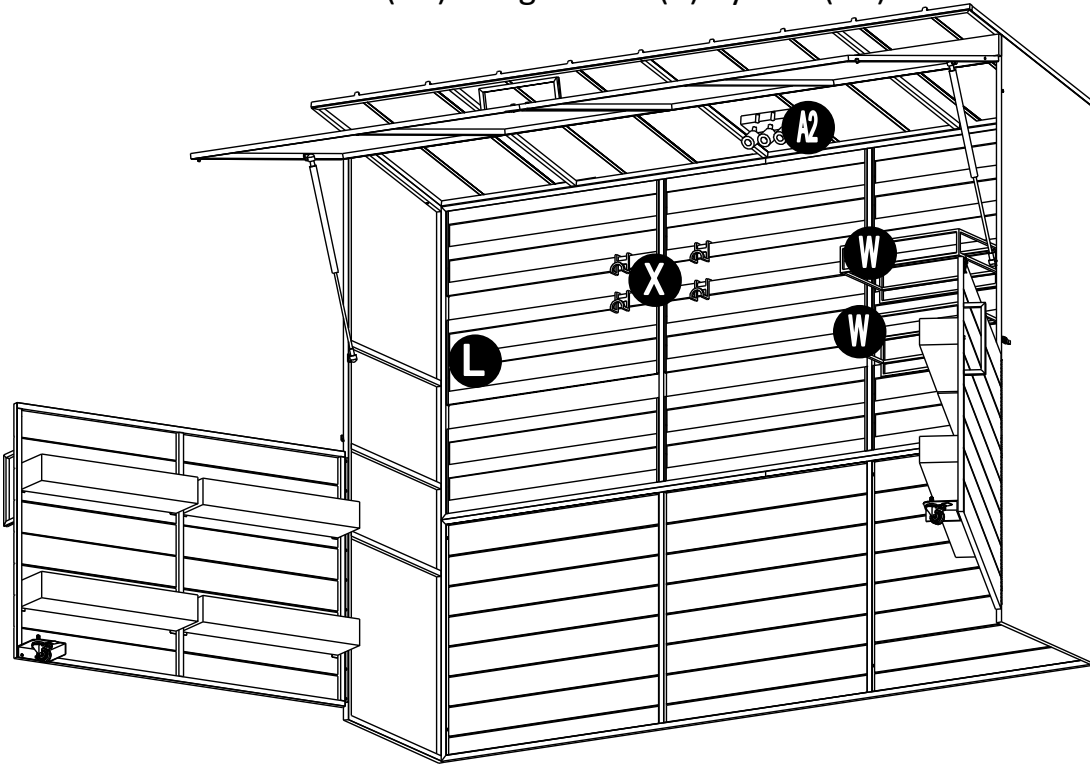
Attach L/R Universal wheel (Y) to the L/R connector (U/A5), lock them by Nut (H5).

Bolt H4 x 4PCS

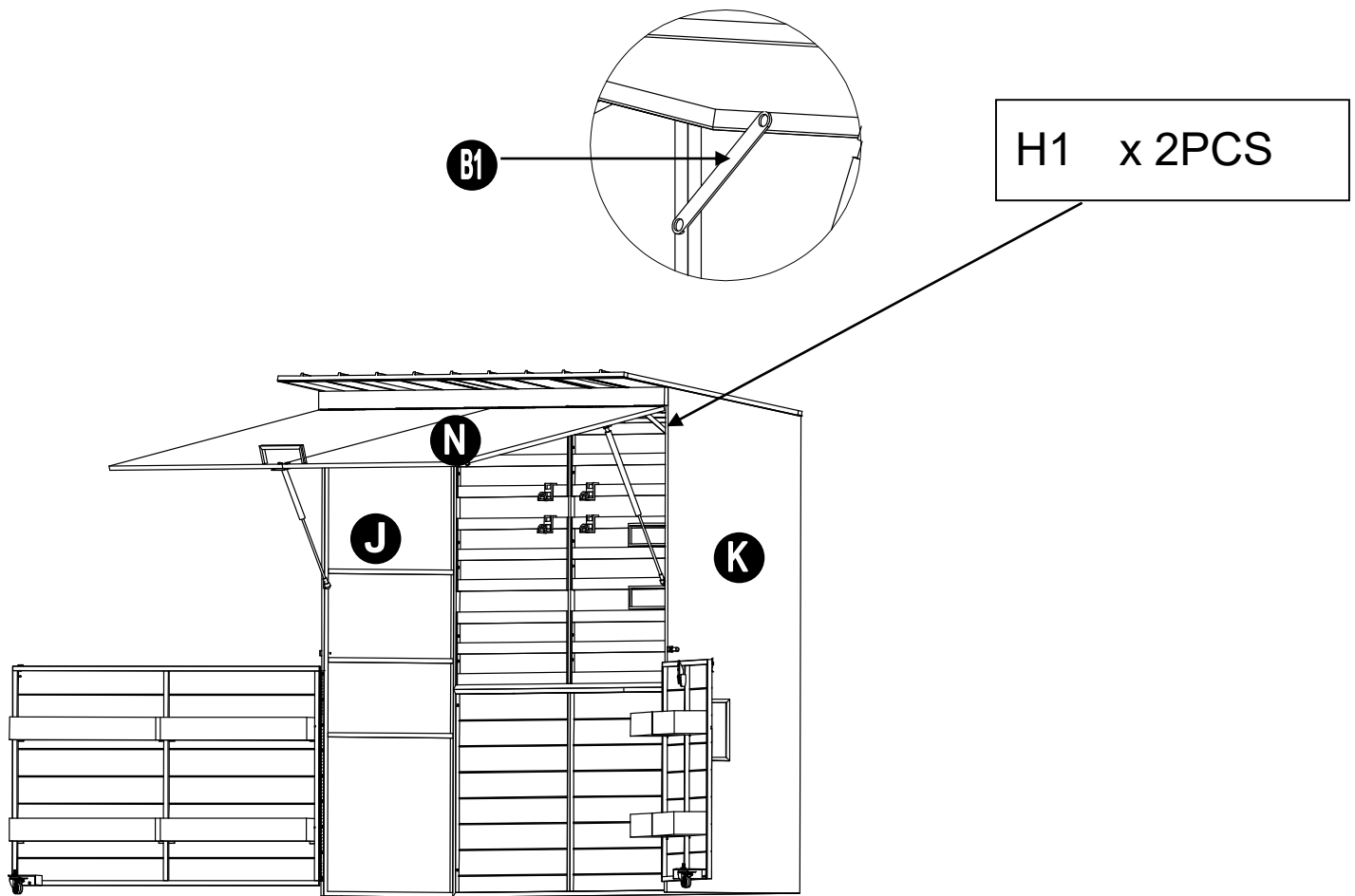
Washer H6 x 4PCS



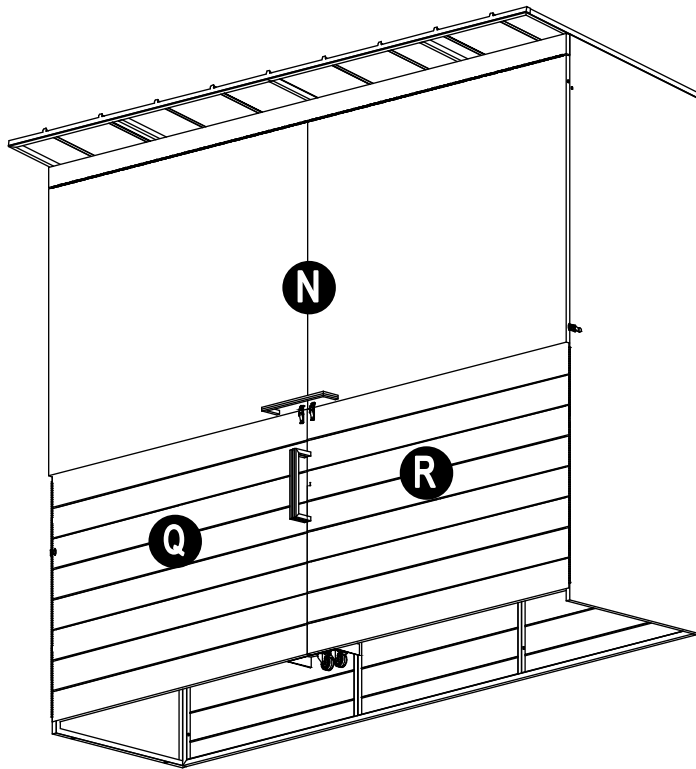
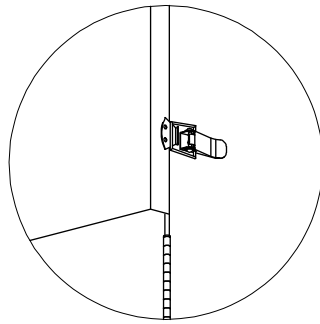
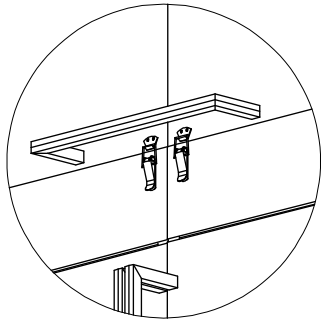
Attach the Left Connector (U) to the left door (Q), attach the right Connector (A5) to right door (R) by bolt (H4) and flat washer (H6).



Place the big rack (W) and the small rack (X) on the Back Decorative Panel (L), magnetic suction lamp (A2) onto the middle roof (B).

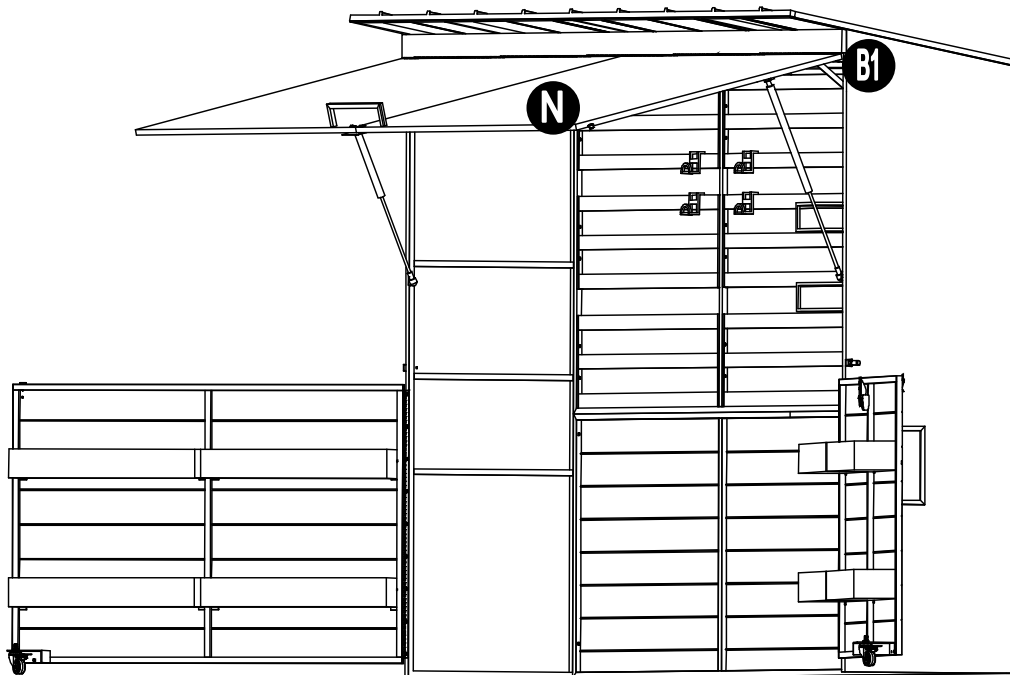
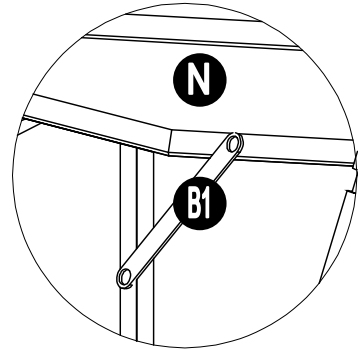


Attach the support bar (B1) to the L/R side panel (J/K) with bolt (H1)



**Door instructions:**

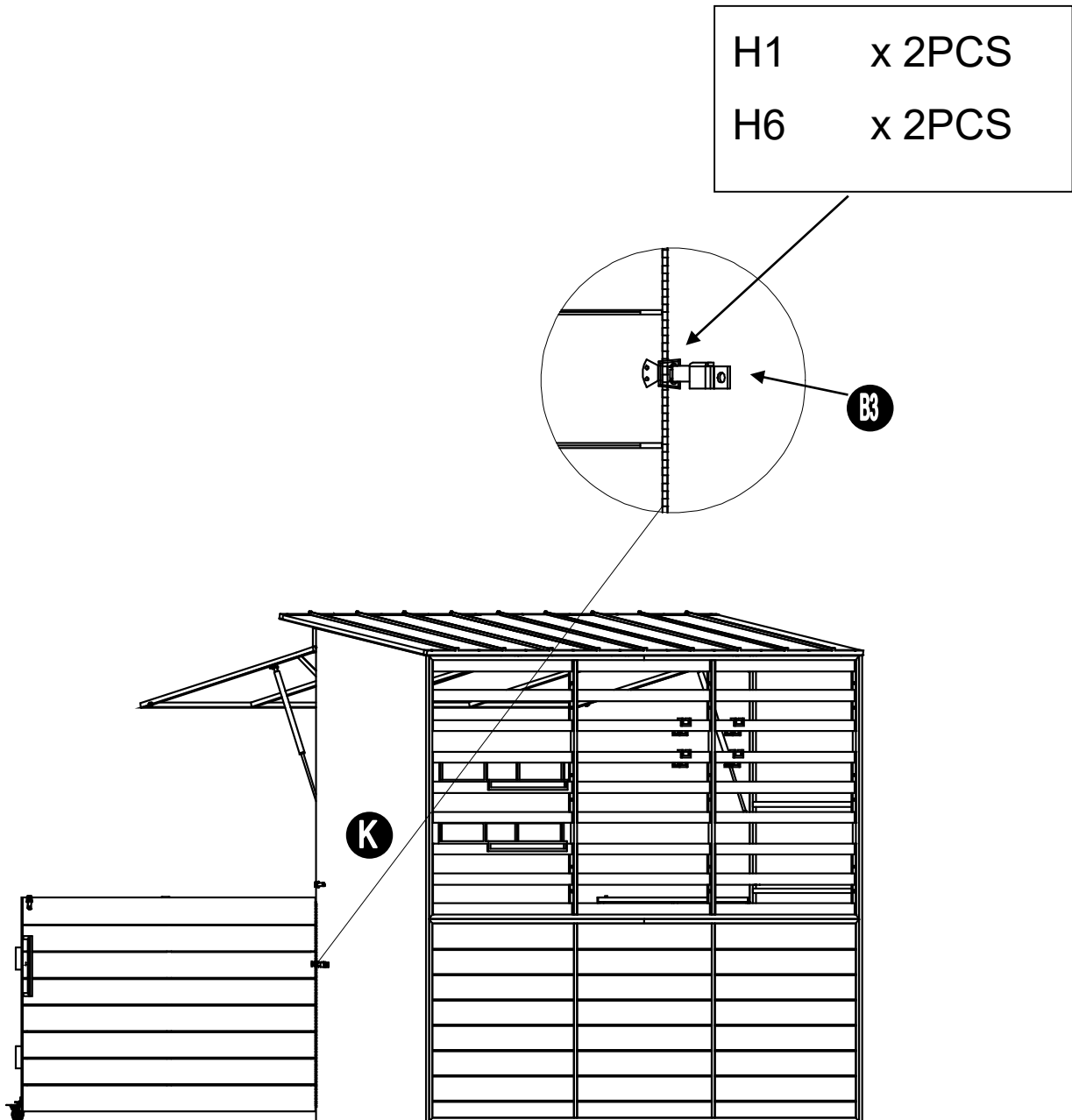
Step 1: close door (N) from top to bottom, Step 2: Close Left & Right door.



**Support Bar instructions:**

Lock the support bar (B1) to ensure the stability of the flip door (N) in case of strong wind.

Attach Left Fixed Flap (B2) to the left door (J), and attach Fixed Flap (B3) to the right door (K) with bolt (H1) and flat washer (H6).



**Fixed Flap instructions:**

Rotate downward and Lock the L/R buckles when L/R doors open,  
prevent strong wind from blowing the door.