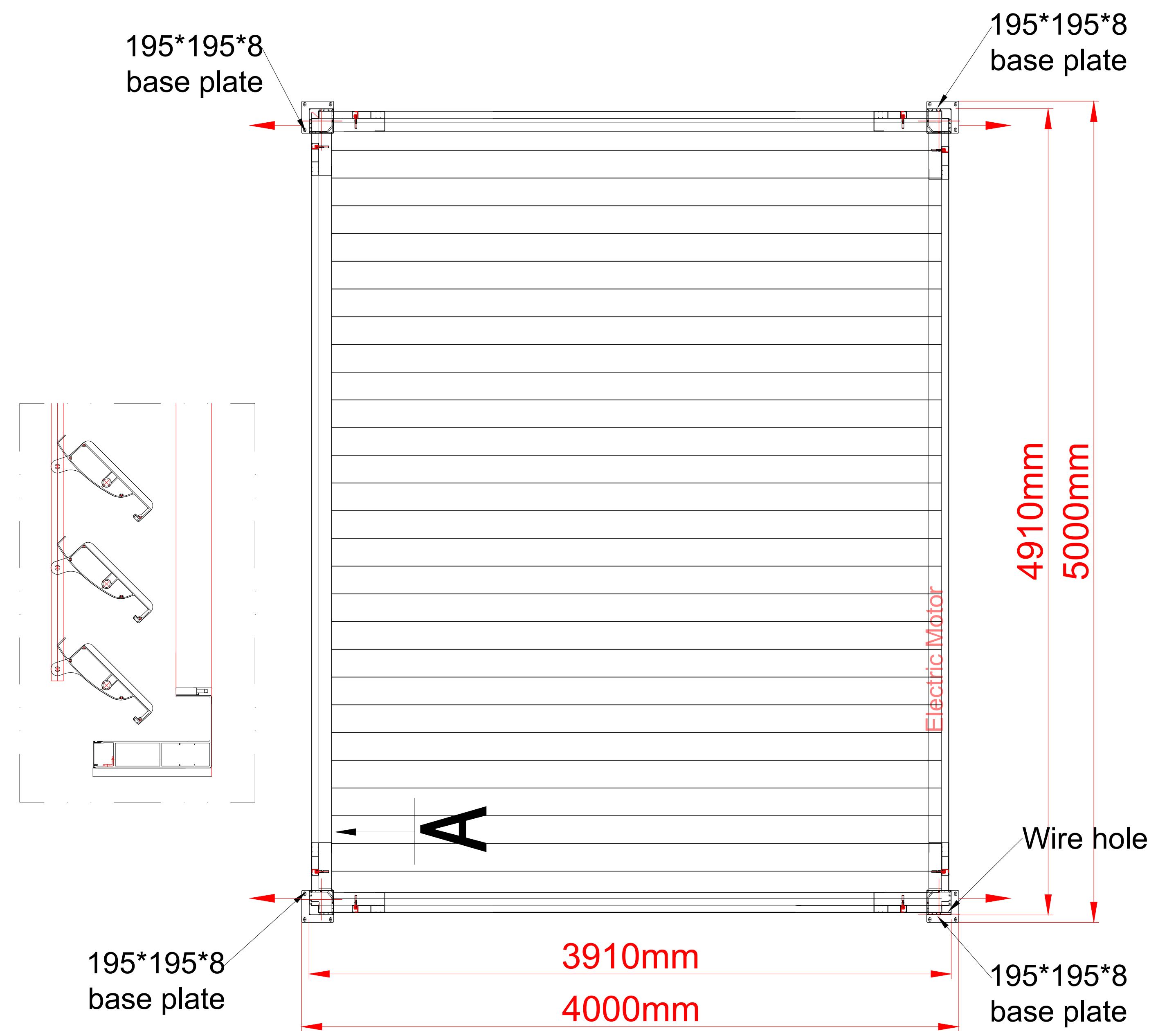
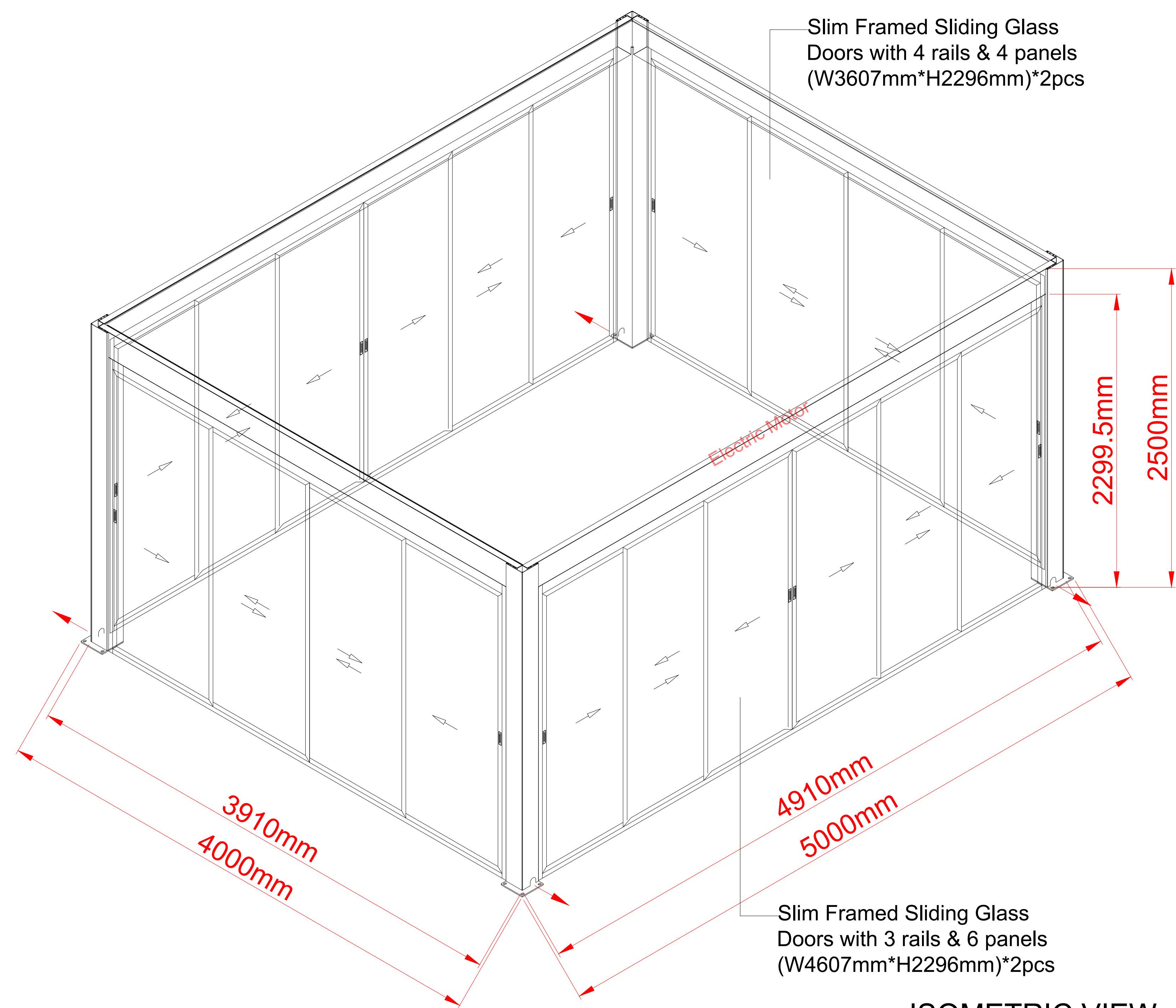


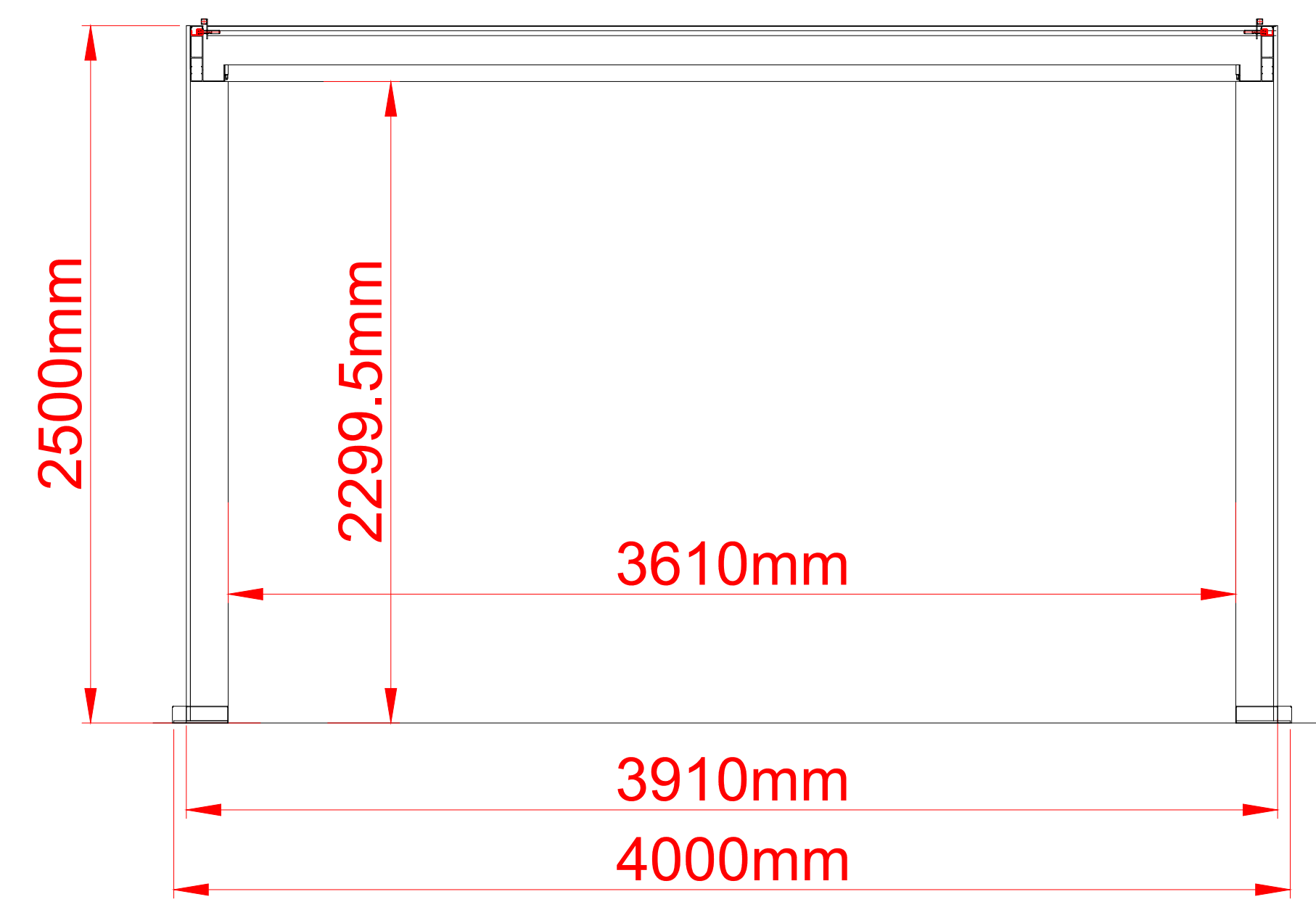
ISOMETRIC VIEW



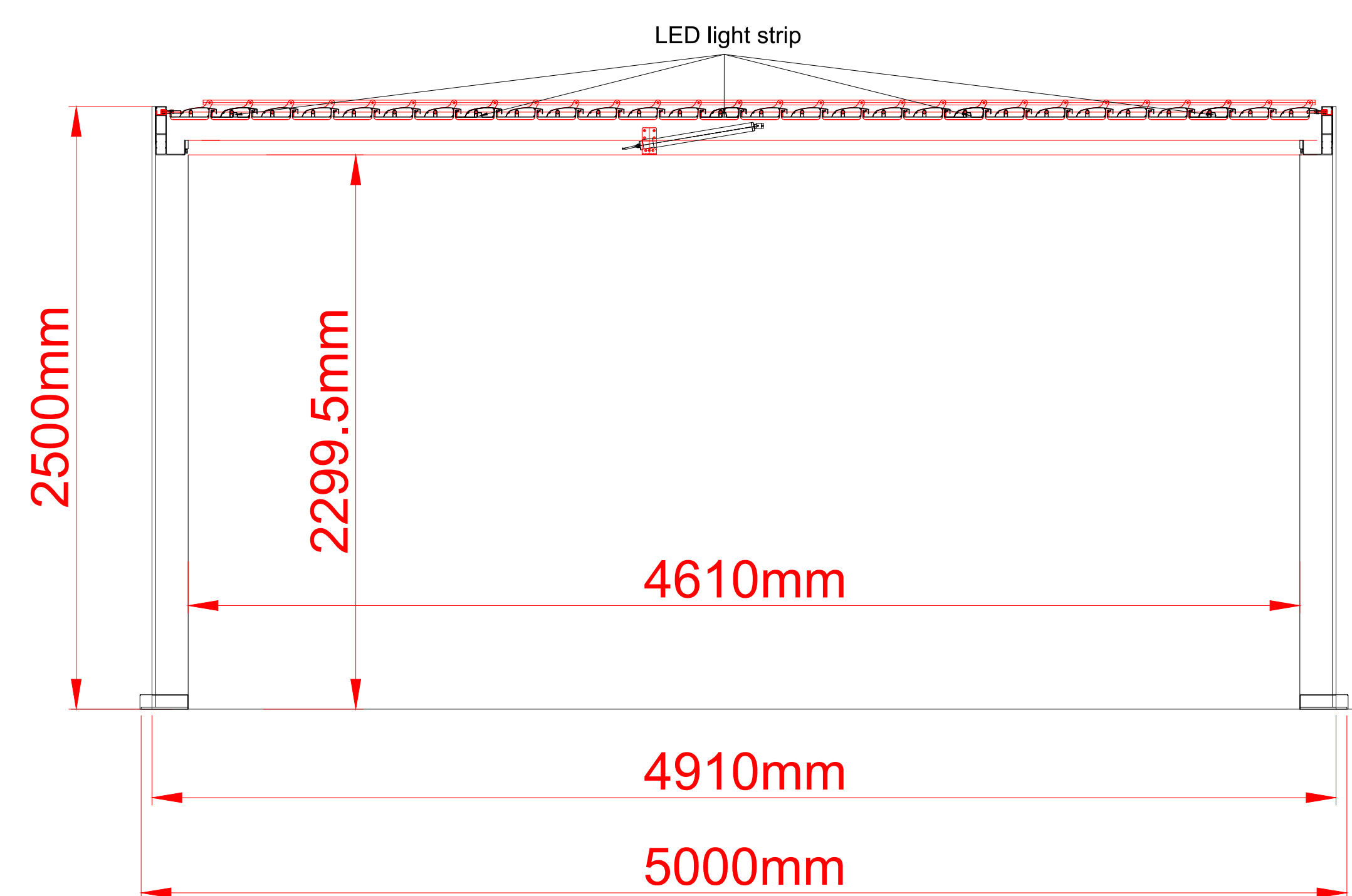
PLAN VIEW



ISOMETRIC VIEW



ELEVATION VIEW-1



ELEVATION VIEW-2

