


Infrared Patio Heater

Safety Instructions

and Operation Manual

Model: LDHR012-200KB-S



1. **This appliance can be used by children aged from 8 years and above and persons with reduced physical, sensory or mental capabilities or lack of experience and knowledge if they have been given supervision or instruction concerning use of the appliance in a safe way and understand the hazards involved. Children shall not play with the appliance. Cleaning and user maintenance shall not be made by children without supervision.**
2. **If the supply cord is damaged, it must be replaced by the manufacturer, its service agent or similarly qualified persons in order to avoid a hazard.**
3.  **WARNING: In order to avoid overheating, do not cover the heater.**
4. **Children of less than 3 years should be kept away**

unless continuously supervised.

5. **Children aged from 3 years and less than 8 years shall only switch on/off the appliance provided that it has been placed or installed in its intended normal operating position and they have been given supervision or instruction concerning use of the appliance in a safe way and understand the hazards involved. Children aged from 3 years and less than 8 years shall not plug in, regulate and clean the appliance or perform user maintenance.**
6. **CAUTION — Some parts of this product can become very hot and cause burns. Particular attention has to be given where children and vulnerable people are present.**

7. **WARNING: This heater is not equipped with a device to control the room temperature. Do not use this heater in small rooms when they are occupied by persons not capable of leaving the room on their own, unless constant supervision is provided.**
8. **The heater must not be located immediately below a socket-outlet.**
9. **The heater must be installed at least 1.8m above the floor.**
10. **The Installation of the heater should not be close to curtains and other combustible materials**

Brief Introduction

This product is infrared radiant heater with remote control and IP 65 approved .It is almost unlimited used in outdoor ,such as open bars, courtyard, plaza, station in winter etc. This patio heater is energy-efficient, convenient, environmentally friendly and for better life etc. And add the Bluetooth speakers and LED lighting. Connecting your mobile phone or PC then can play the music and control LED lighting.

Important Safety Instructions

When using electrical appliances, basic safety precautions should always be followed to reduce the risk of fire, electric shock, or injury to persons, including the following:

Read all instructions before using this heater

This heater is hot when in use .To avoid burns,do not let bare skin touch hot surfaces.If provided ,use handles when moving this heater.Keep combustible materials,such as furniture, pillows ,bedding ,papers,clothes and curtains at least 0.9m from the front of the heater.

Extreme caution is necessary when any heater is used by or near children or invalids and whenever the heater is left operating and unattended.

Always unplug heater when not in use

Do not run cord under carpeting. Do not cover cord with throw rugs, runners, or similar coverings. Do not route cord under furniture or appliances. Arrange cord away from traffic area and where it will not be tripped over.

Connect to properly grounded outlets only.

To disconnect heater, turn controls off, then remove plug from outlet.

- Do not insert or allow foreign objects to enter any ventilation or exhaust opening as this may cause an electric shock or fire, or damage the heater.

To prevent a possible fire, do not block air intakes or exhaust in any manner(such as newspapers, table-cloths, curtains, etc.). Do not use on soft surfaces, like a bed, where openings may become blocked.

No naked flame sources, such as lighted candles, should be placed on the apparatus.

A heater has hot and arcing or sparking parts inside. Do not use it in areas where gasoline, paint, or flammable liquids are used or stored.

Use this heater only as described in this manual. Any other use not recommended by the manufacturer may cause fire, electric shock, or injury to persons.

Always plug heaters directly into a MAINS socket outlet with a protective earthing connection. Never use with an extension cord or relocatable power tap (outlet/power strip).

Check if the voltage indicated on the nameplate of the appliance corresponds to the local mains voltage before you connect the appliance.

The appliance is not located immediately below a wall socket-outlet.

The casing and the front cover of the appliance become extremely hot during operation. Pay attention that, no combustible material due to wind or other environmental influences covers or obstructs the appliance, such as curtains, marquees, flags, plastic foil etc. Do not touch the appliance. Caution! Risk of scald injury!

- In case of improper use, there is a risk of electrical shock and/or fire hazard. Operation of the appliance must be discontinued and remove the mains plug immediately. Do not try to repair the appliance by your-self. Please contact with the service agent or a suitably qualified electrician for maintenance.
- Remove the plug from the power outlet and wait until the appliance is sufficiently cooled off before cleaning.
- The appliance must only be mounted by an authorized specialist, paying attention to the relevant regulations of the power supply companies and the regional construction regulations.
-

Save These Instructions

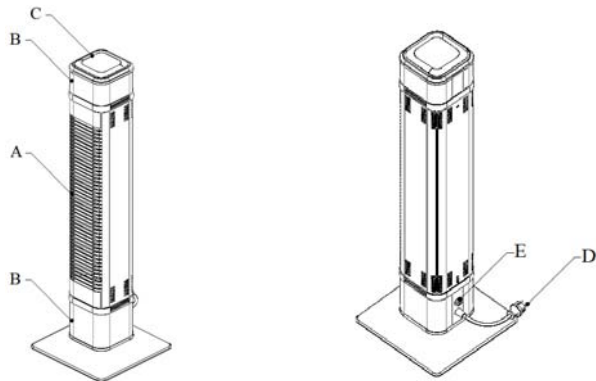
Specifications

Specification	LDHR012-200KB-S
Voltage (V)	220-240V ~ 50/60Hz
Power consumption (W)	2000W
IP code	IP65
Infrared receiving Angle	60°±5°
Bluetooth receiver distance	≤20M
Action angle of tilt switch	50°±10° (360°)

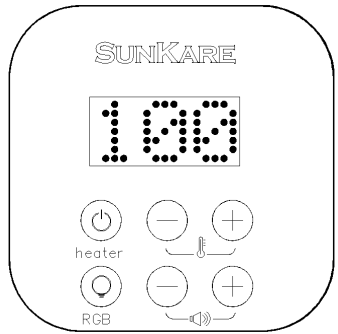
BLUETOOTH OPERATION

1. A free Bluetooth App is available to download for this heater for either your iPhone, iPad or Android device.
2. The 'Sunkare Heater' App will allow you to connect remotely to many heaters and Control speaker and lamp independently.
To download, search for 'Sunkare' in your App store and add to your device.
3. Bluetooth speakers connecting steps
In standby position, short press the remote control button, turn on the power of the blue tooth speakers, then long press this button in order to enter into blue tooth pairing mode.
4. Open the blue tooth function in your iPhone, iPad or Android device, find the "Liangdi Heater" in the device lists, then connecting.
5. Connecting successfully will have prompt tone, then you can play music by your iPhone, iPad or Android device.
6. Button again, it will turn off the blue tooth speaker, the next time open the speaker will automatically connect your devices have paired.

Function Instruction



Remark	Name	Function
A	Heating module	Heating
B	Speaker module	Play music
C	Touch screen	Turn on/off and ,adjust the power, Turn On/off the LED light ,adjust the volume
D	Plug	Connecting the power
E	Switch	On/off



Graphic	Function		
	<ol style="list-style-type: none"> 1、 Display the percentage of the heating ; 2、 Display countdown of power off 3、 Display the induction temperature of temperature sensor 		
 heater	<ol style="list-style-type: none"> 1、 On/off button of the heating module 2、 On/off Bluetooth module 		
	<ol style="list-style-type: none"> 1、 -, The power is gradually lower. 2、 +, The power is gradually higher. 		
 RGB	<ol style="list-style-type: none"> 1、 On/off button of LED light 		
	<ol style="list-style-type: none"> 1、 -, The volume is gradually lower 2、 +, The volume is gradually higher 		
	<ol style="list-style-type: none"> 1、 “++” Press the 3 buttons until the touch screen flickering ,then reset the password 		
	Button	Graphic	Feature
	Up arrow		Up one heating level
	Turn off speaker		Short press,turn on/off the speaker Long press,enter into bluetooth pairing mode

Down arrow		Down one heating level
LED light on		Turn on the LED light
LED light off		Turn off the LED light
On		To switch the heater on: Press ON. The patio heater has a soft start function of 33% power. 4 seconds after the heater has been turned on, it will automatically switch to the last heating level used. In case of the first-time use, after 4seconds the heater will automatically switch to 100% power.
Off		To switch the heater off: Press OFF. The heater will switch to standby mode(the receiver indicator will light up).
Notice: <ul style="list-style-type: none"> ● Use 2 pieces AAA size 1.5V batteries in the remote control. Remove the battery when not use for long time, thus the lifespan of remote control can be extended. ● Choose the same specification battery when replacing the battery inside, otherwise it may cause remote control not work , thereby affect the normal use of the heater. ● Please contact service agent for further help if you need the function. ● The remote control function may be out of work if there is a barrier between the remote control and heater . ● Replacing the batteries duly so as not to affect the normal use of heater and remote control. 		

Operation Instruction

- Remove all package material (including anti-vibration object of the lamp) and check the appliance, supply cord and the plug for signs of damage.
- Open the package of screw,take off the screws
- Open the package of the base ,take off the base
- Fix the base on the heater ,Figure 1
- Never move or cover it ,when the heater is working,Figure 1
- Pay attention to the mounting place and all mounting material(dowels, screws). Ensure they are suitable and stable enough for mounting and lastingly holding of the appliance.
- Pay attention that, the installation of the appliance must not add excessive wind load.
- Adjust the desired angle of radiation and fest screw all screws. Check regularly the screw's connection. Mechanical bearing pressure and oscillation due to wind or rain could lead to loose.
- Plug in the power source and operate the remote control. Then observe, whether during the first 10-15 minutes the appliance works trouble-free.
- If you do not use,please remove battery socket.

Figure1: Assembly diagram of the base

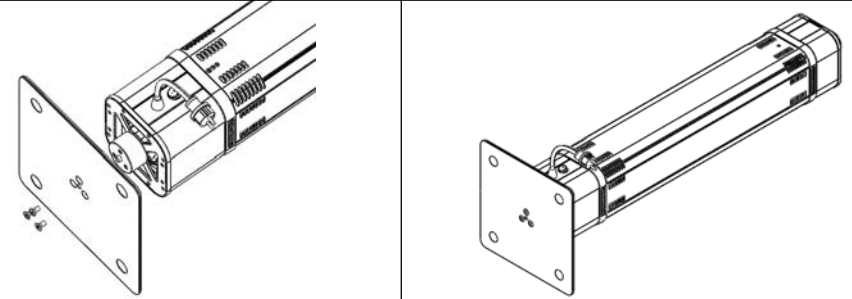
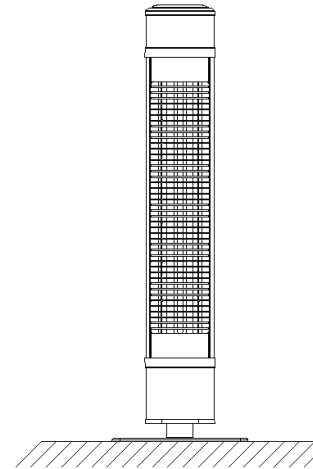


Figure2: Regular work

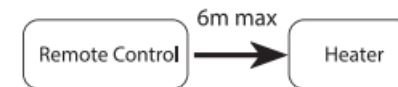


No cover



No moving

Figure 4: Max.remote distance



Cleaning and Maintenance

- This appliance is consist of a robust and maintenance-free aluminum casing with a protection cover. No user serviceable parts inside.
- Before cleaning,remove the plug from the power outlet and wait until the appliance is sufficiently cooled off.
- Wipe the appliance only with clean and lint-free cloth or a soft brush.
- Never use abrasive cleaners, scrubbing brushes and chemical cleaners for cleaning!
- Can use alcohol to clean the appliance.
- To protect against electrical shock and danger of life, do not immerse cord, plug, or any part of the appliance in water or other liquid.
- For heating element replacement, please contact the manufacturer or its service agent or a similarly qualified person.
- Any other service, please contact with the service agent or a suitably qualified electrician.

Storage

Do not route cord when heater storage, or heater is not in use.

Disposal



This marking indicates that this product should not be disposed with other household wastes throughout the EU. To prevent possible harm to the environment or human health from uncontrolled waste disposal, recycle it responsibly to promote the sustainable reuse of material resources. To return your used device, please use the return and collection systems or contact the retailer where the product was purchased. They can take this product for environmental safe recycling.

Customer Service

- Repairs must be carried out by authorized specialists, thus ensuring electrical safety.
- Please contact with the service agent or a suitably qualified electrician.

- Improper repairs could lead to danger to the user.
- This warranty does not cover damage of failure which results from alteration, accident, misuse, abuse, neglect, commercial use or improper maintenance.
- In line with our policy of continuous product development we reserve the right to change the product and documentation specifications without notice.