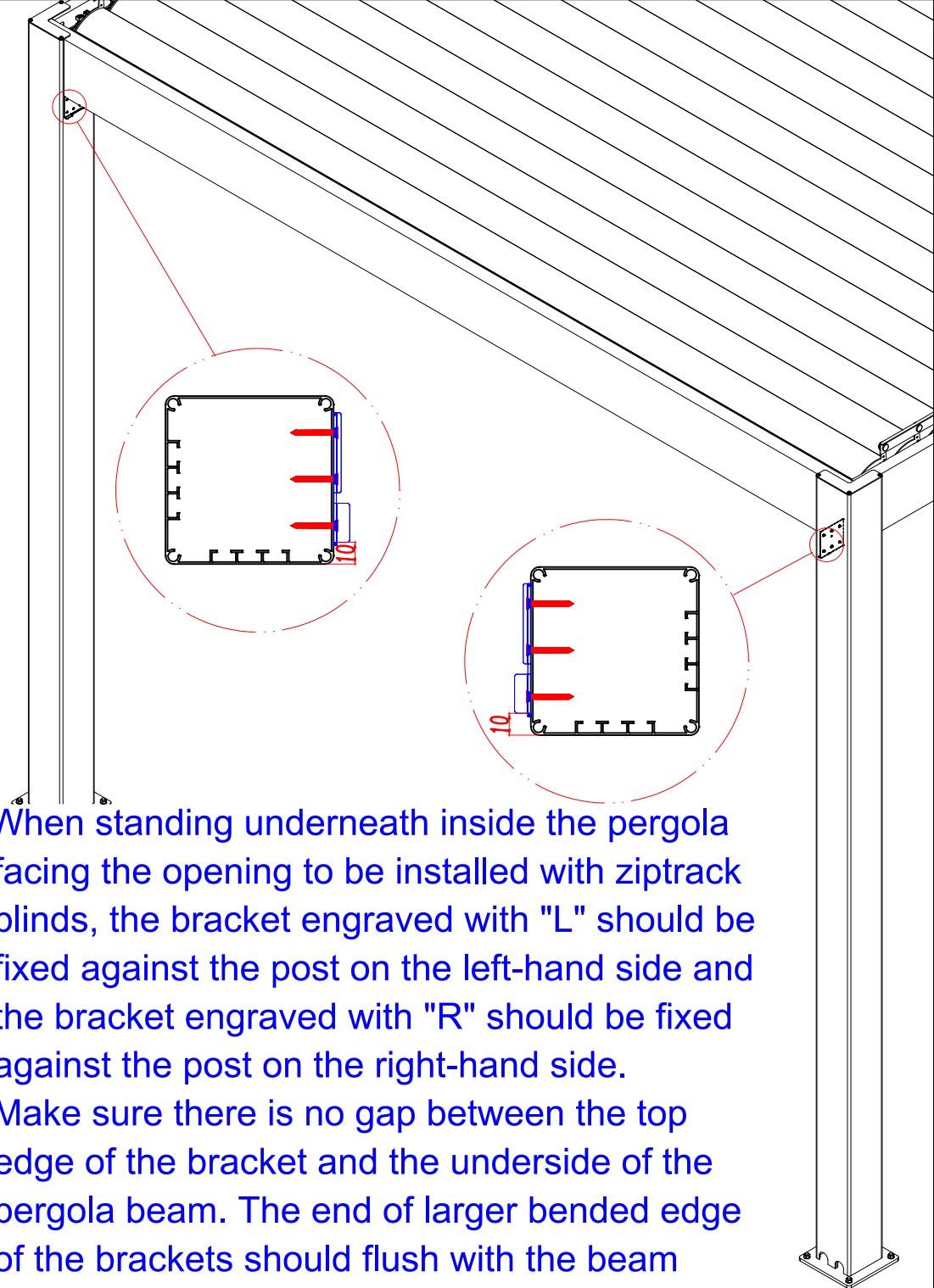
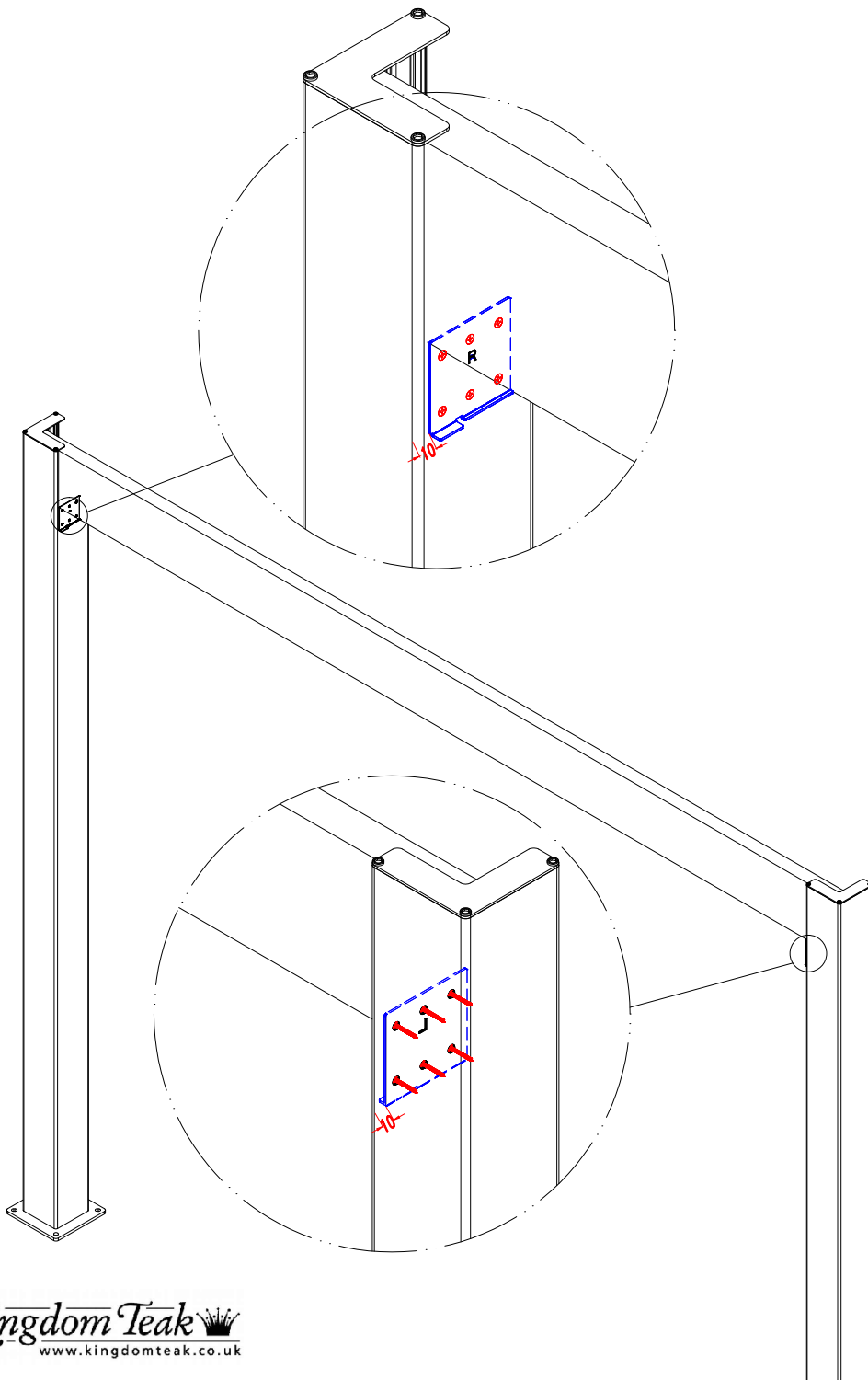


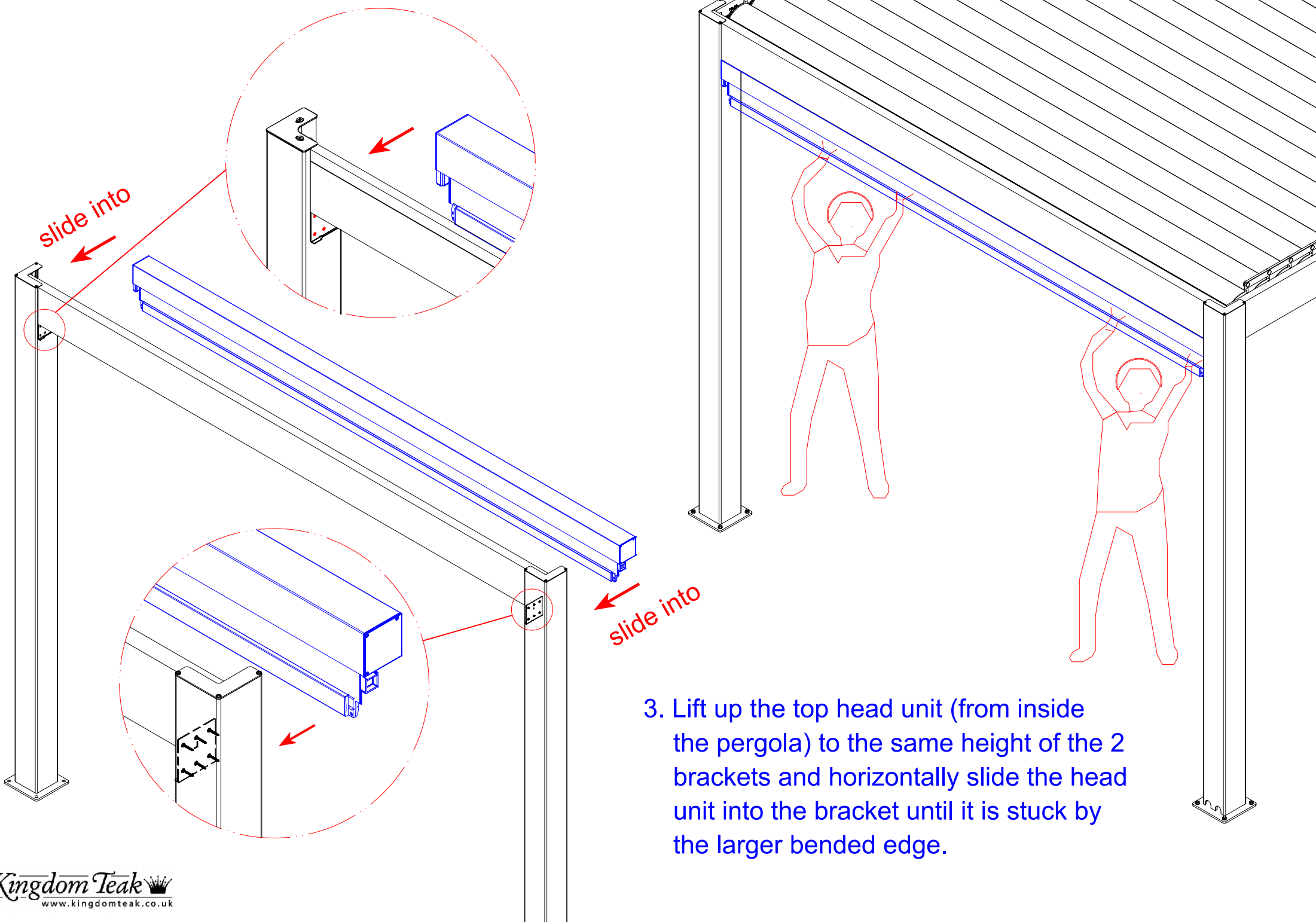
Manual Side Screen

Colour: Grey Frame+Black*Grey Fabric

Dim.(m): 2.664 (W) x2.23 (H)



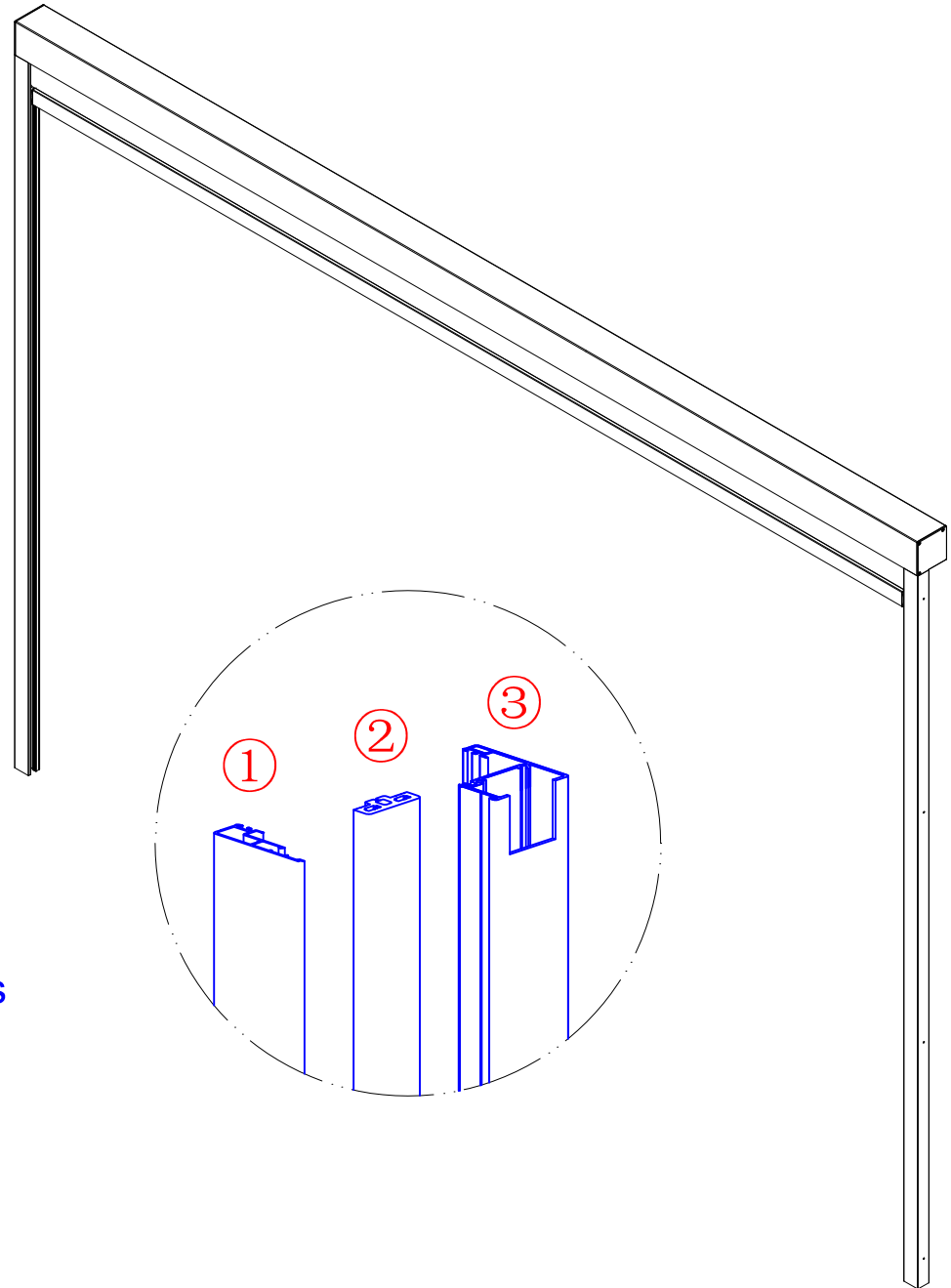
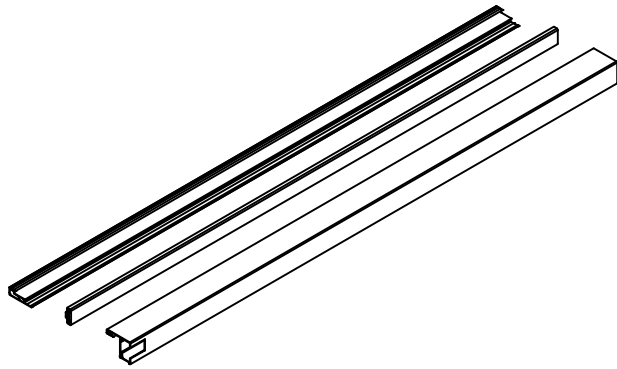
1. When standing underneath inside the pergola facing the opening to be installed with ziptrack blinds, the bracket engraved with "L" should be fixed against the post on the left-hand side and the bracket engraved with "R" should be fixed against the post on the right-hand side.
2. Make sure there is no gap between the top edge of the bracket and the underside of the pergola beam. The end of larger bended edge of the brackets should flush with the beam before screw fixing the brackets.



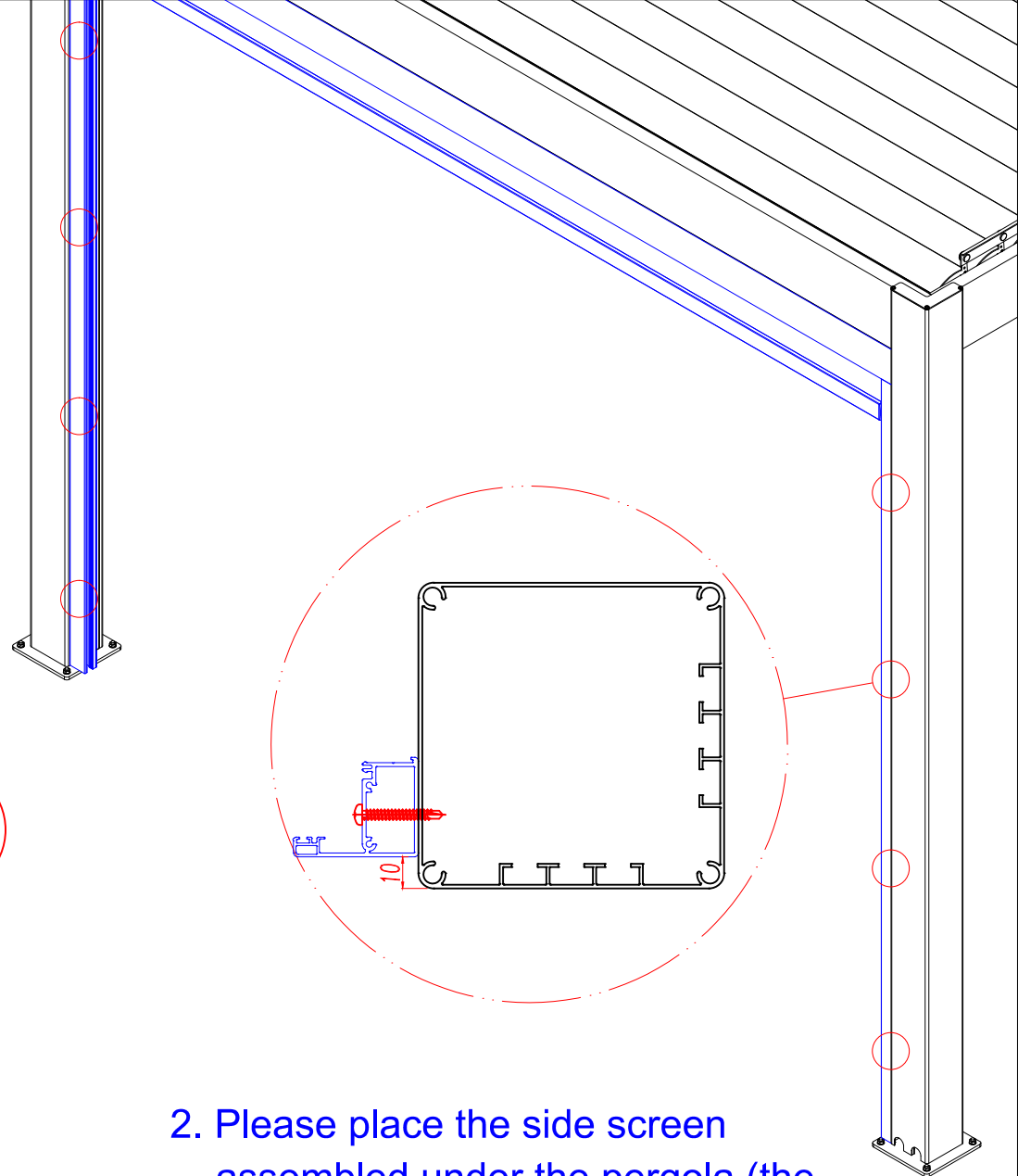
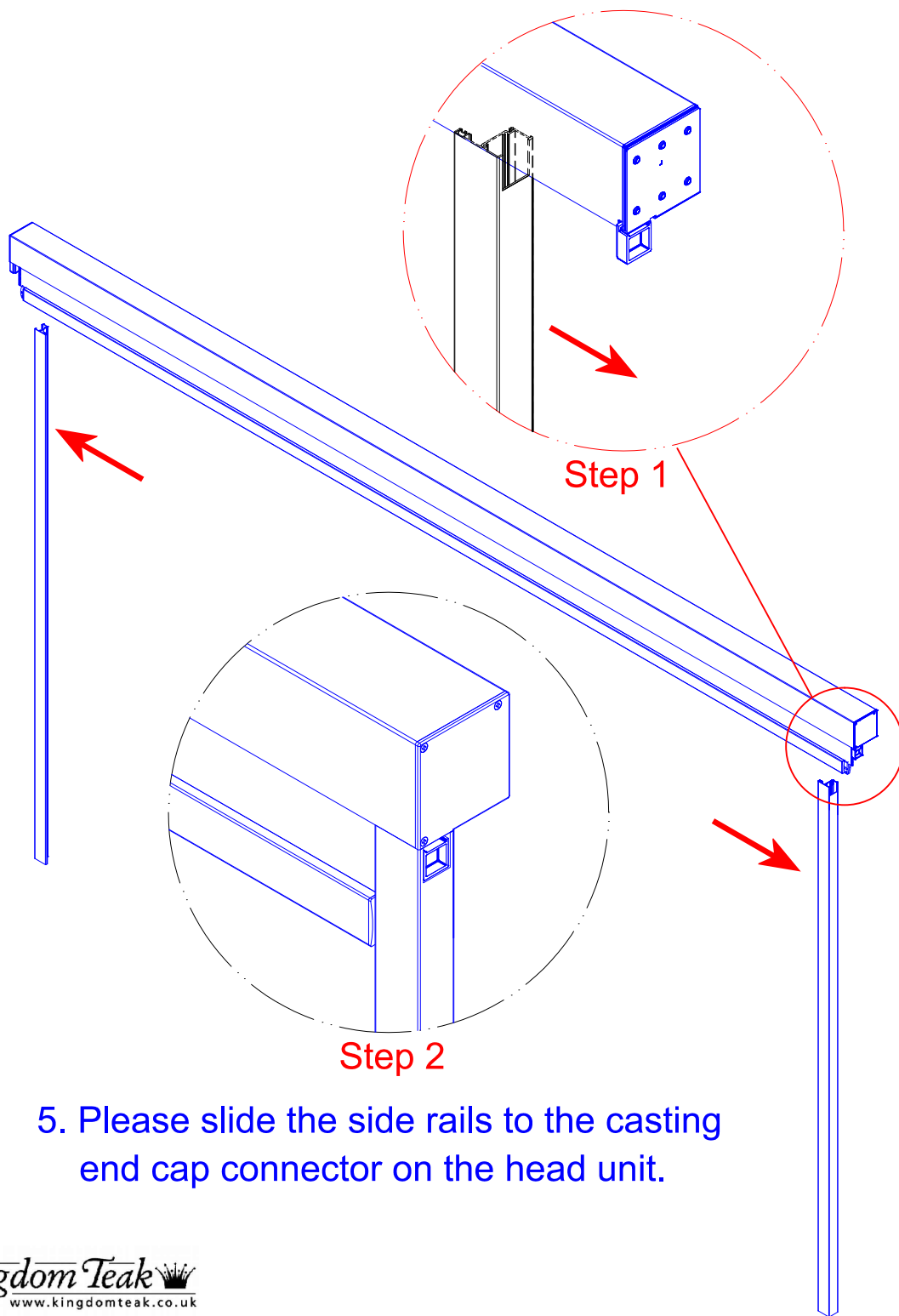
slide into

slide into

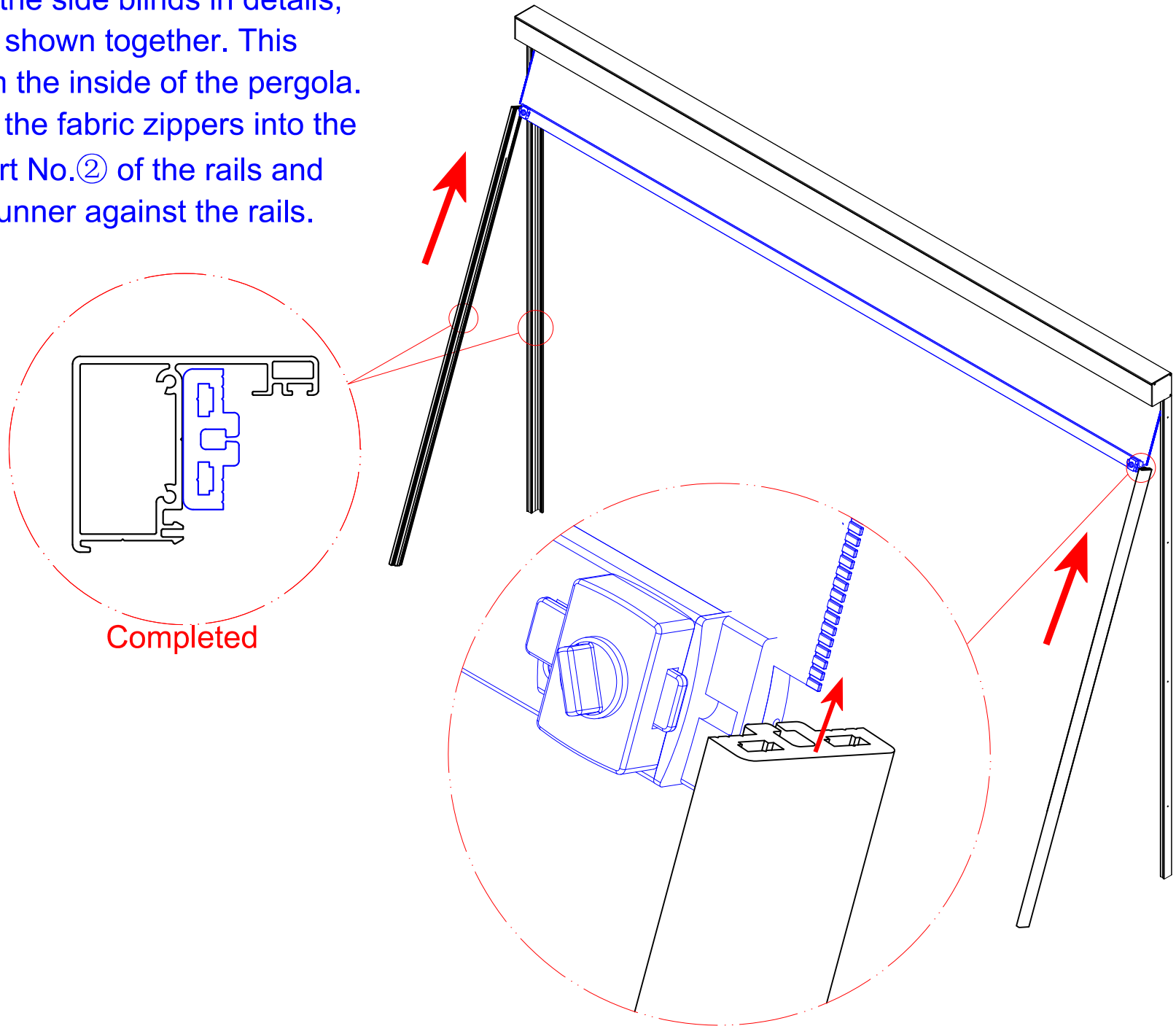
3. Lift up the top head unit (from inside the pergola) to the same height of the 2 brackets and horizontally slide the head unit into the bracket until it is stuck by the larger bended edge.



4. Take apart the pre-assembled side rails into 3 pieces ①-②-③ and you can slide out the part No.① easily by hand.



7. In order to show the side blinds in details, pergola won't be shown together. This sight view is from the inside of the pergola.
8. As shown, insert the fabric zippers into the plastic runner part No.② of the rails and lean the plastic runner against the rails.



9. Clip in the part No.① into part No.③ by using the rubber mallet. Knock firmly from the top first and then all the way down to the ground. Installation will be completed when there's no gap between the part No. ① and the part No.③.

10. Please apply silicone sealant to all the gaps between the pergola frame and side blind track so as to keep waterproofing.

Note:

There is one slot as lock hole at the up and bottom of one rail track, please check picture accordingly.

