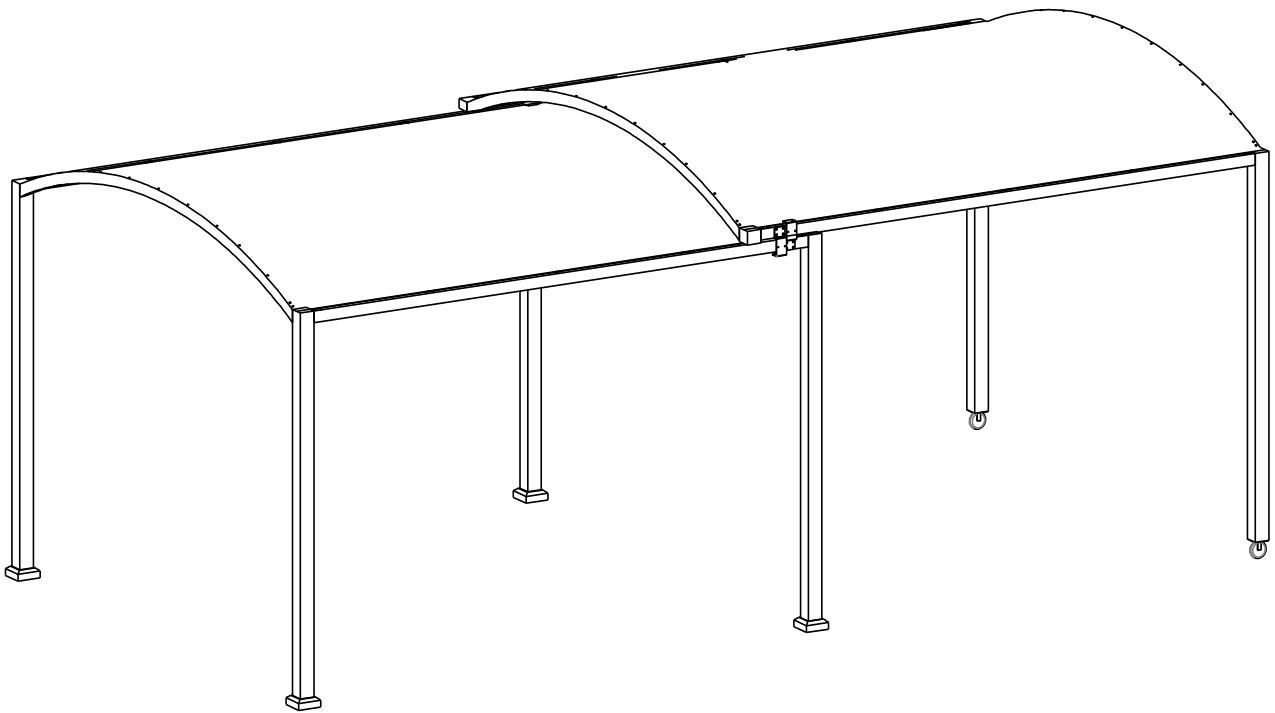
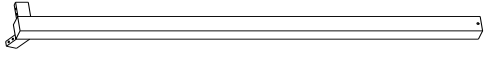
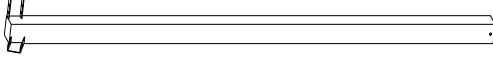
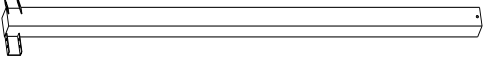
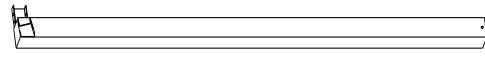
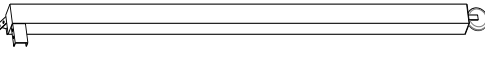
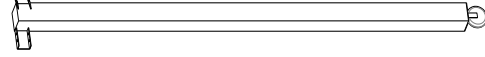
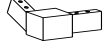

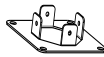

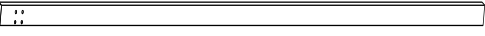
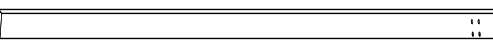
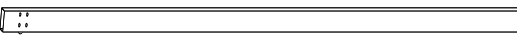
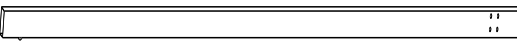


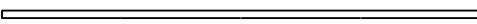

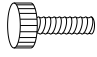



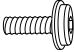
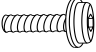
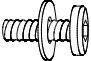
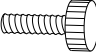
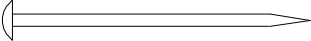



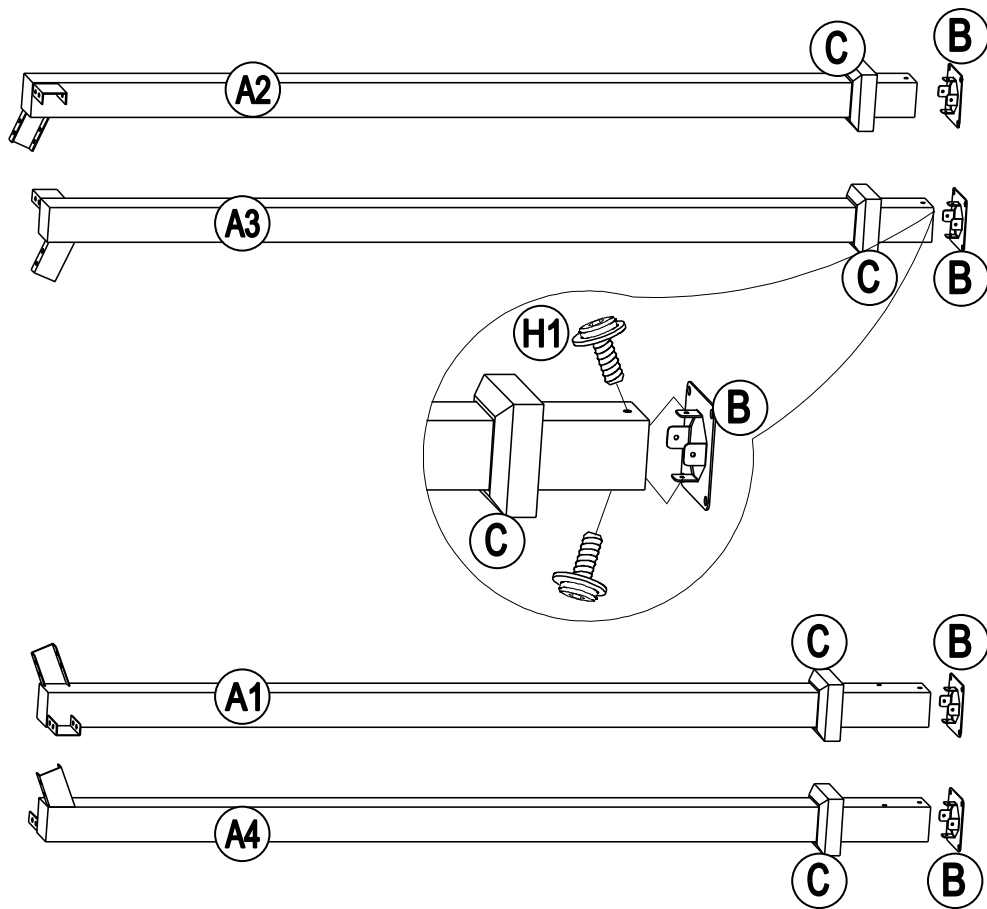
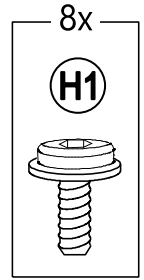
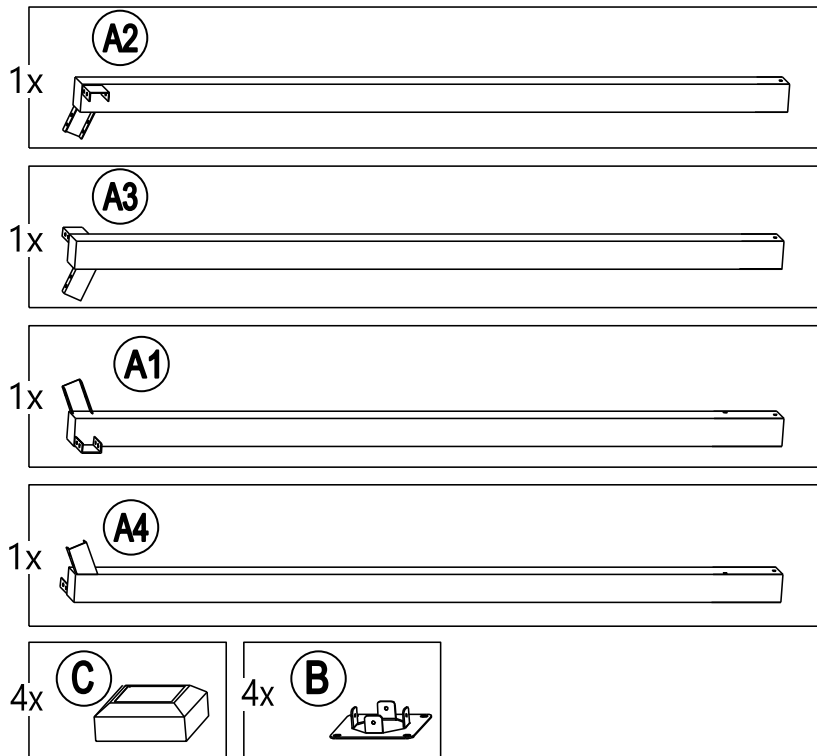
Extendable Gazebo With Canopy



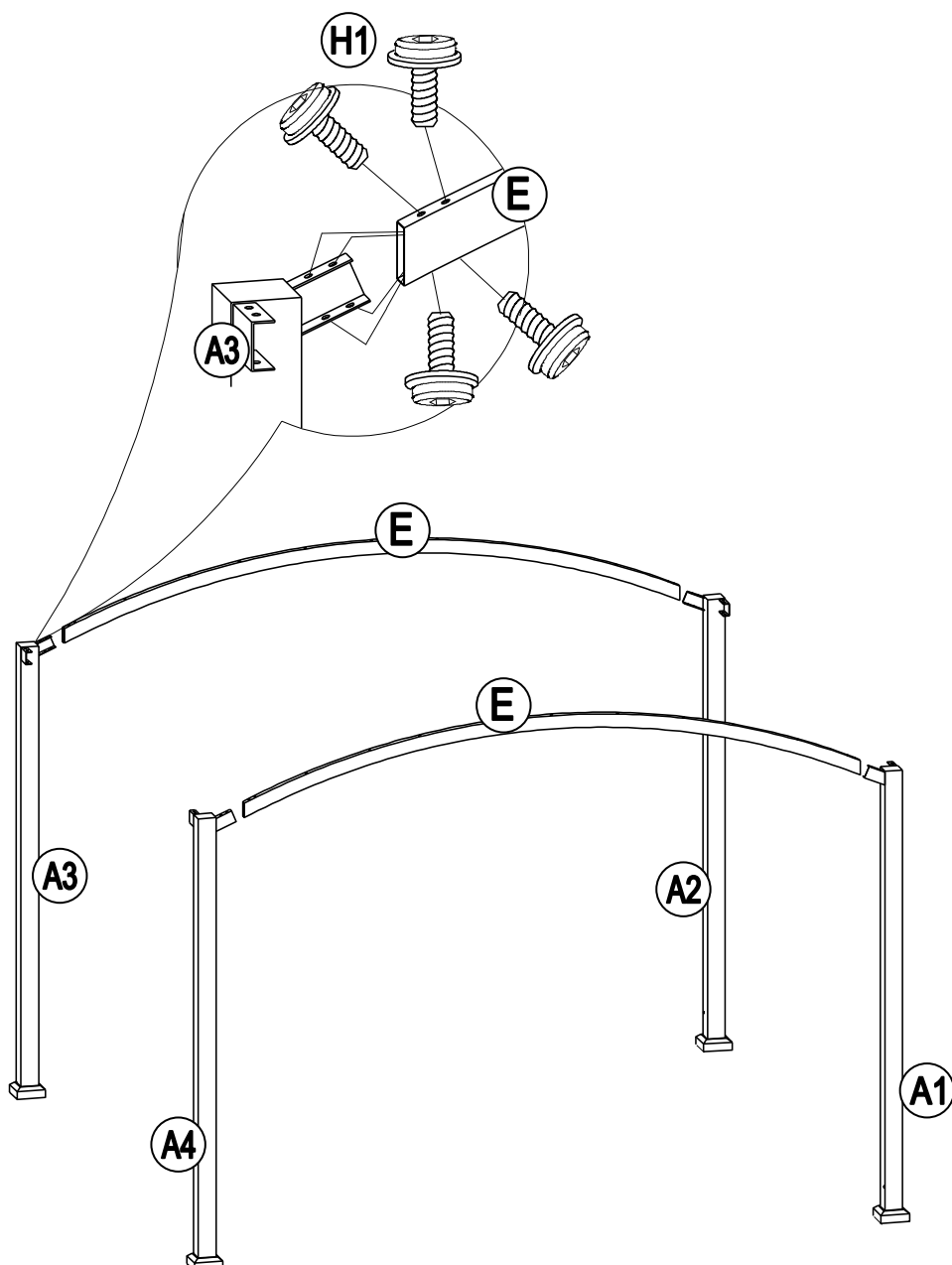
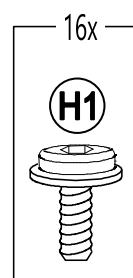
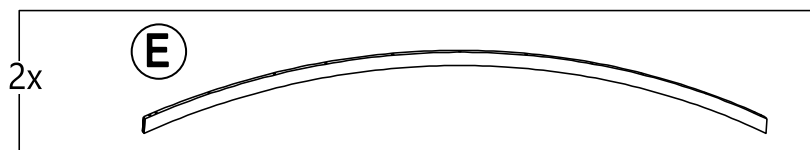
Label	Description	Qty	Part Image
A1	Pole 1	1	
A2	Pole 2	1	
A3	Pole 3	1	
A4	Pole 4	1	
A5	Pole 5	1	
A6	Pole 6	1	
A7	Short Pole 1	1	
A8	Short Pole 2	1	
B	Stake Base	4	
C	Stake Cover	4	
D1	Beam 1	1	
D2	Beam 2	1	
D3	Beam 3	1	
D4	Beam 4	1	
E	Sloping Beam	4	
F	Small Sloping Beam	6	
G	Support Tube	2	
J	Pulley Assembly	4	
K	Crash Pad	4	
L	Small Canopy	2	

M	Pole Connector	2	
---	----------------	---	---

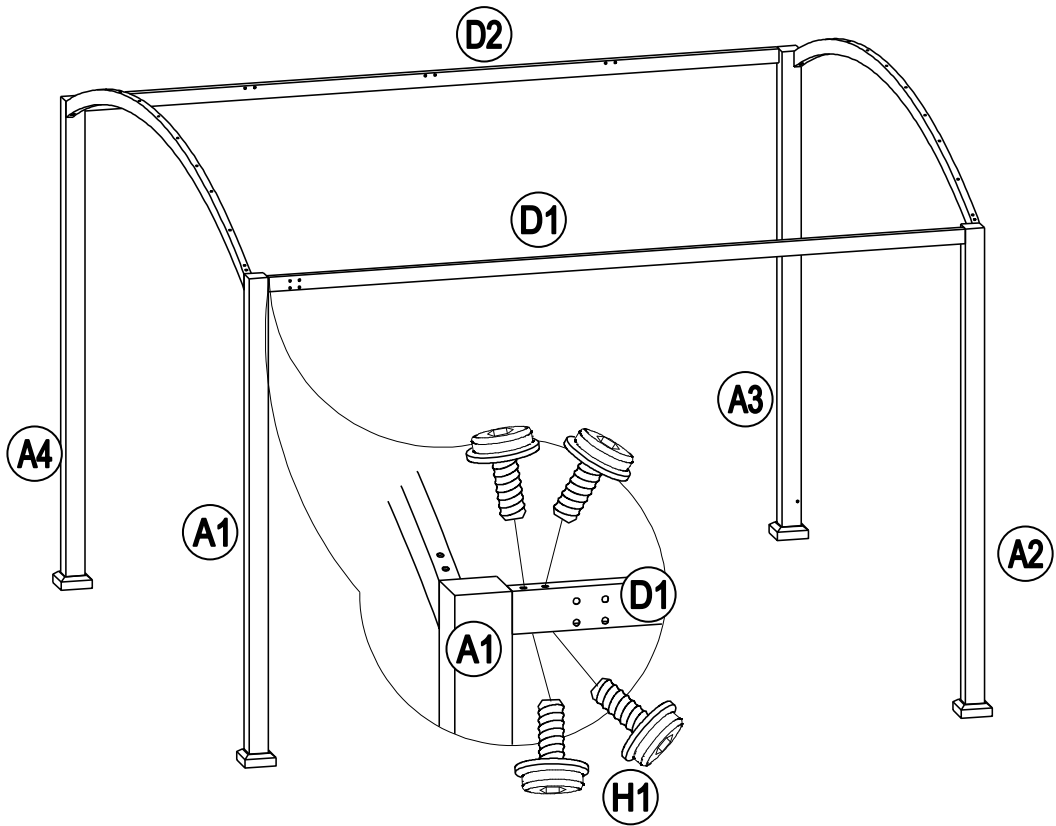
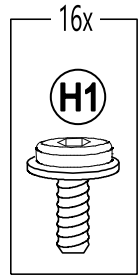
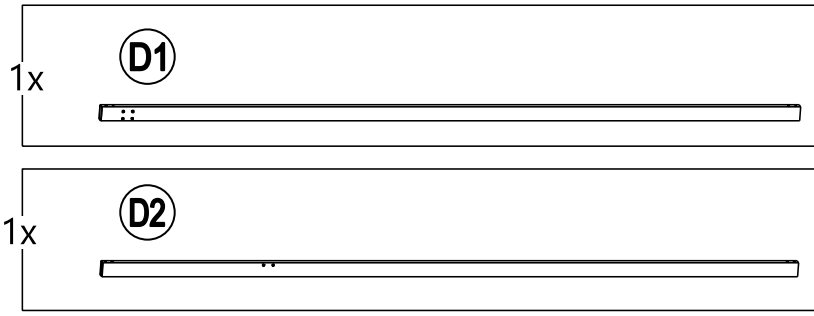
Hardware Pack					
Label	Part Number	Description	Qty	Add	Part Image
H1		Allen bolts M6*20	114	6	
H2		Allen bolts M6*25	6	1	
H3		Allen bolts & Washer M6*20	2	1	
H4		Knob M6*15	56	3	
HS		Stake $\Phi 8*180$	8	0	
HW1		Allen Wrench M6	1	0	



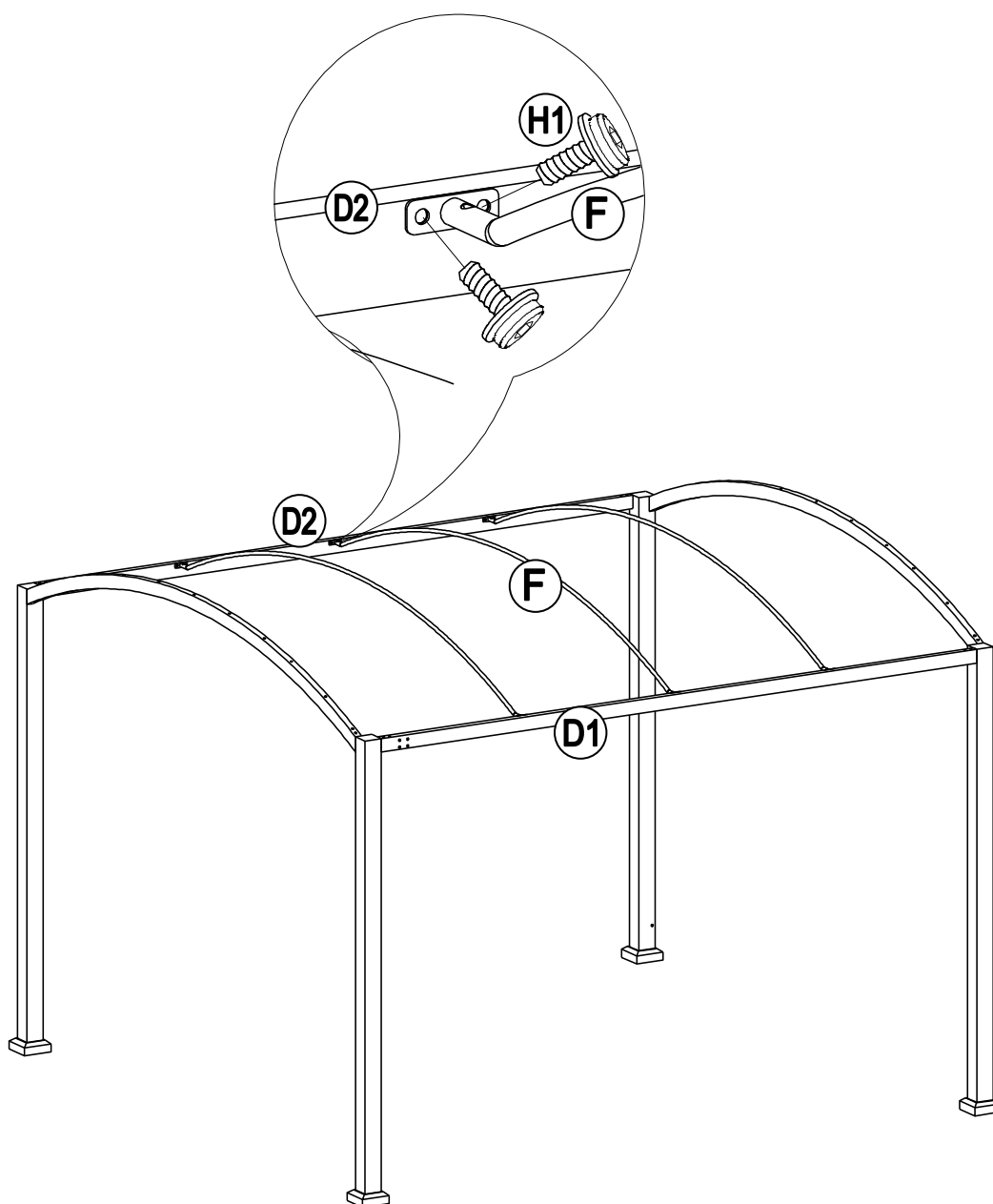
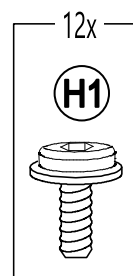
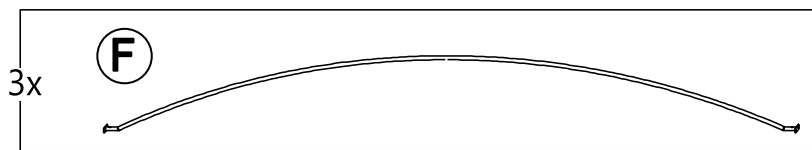
2



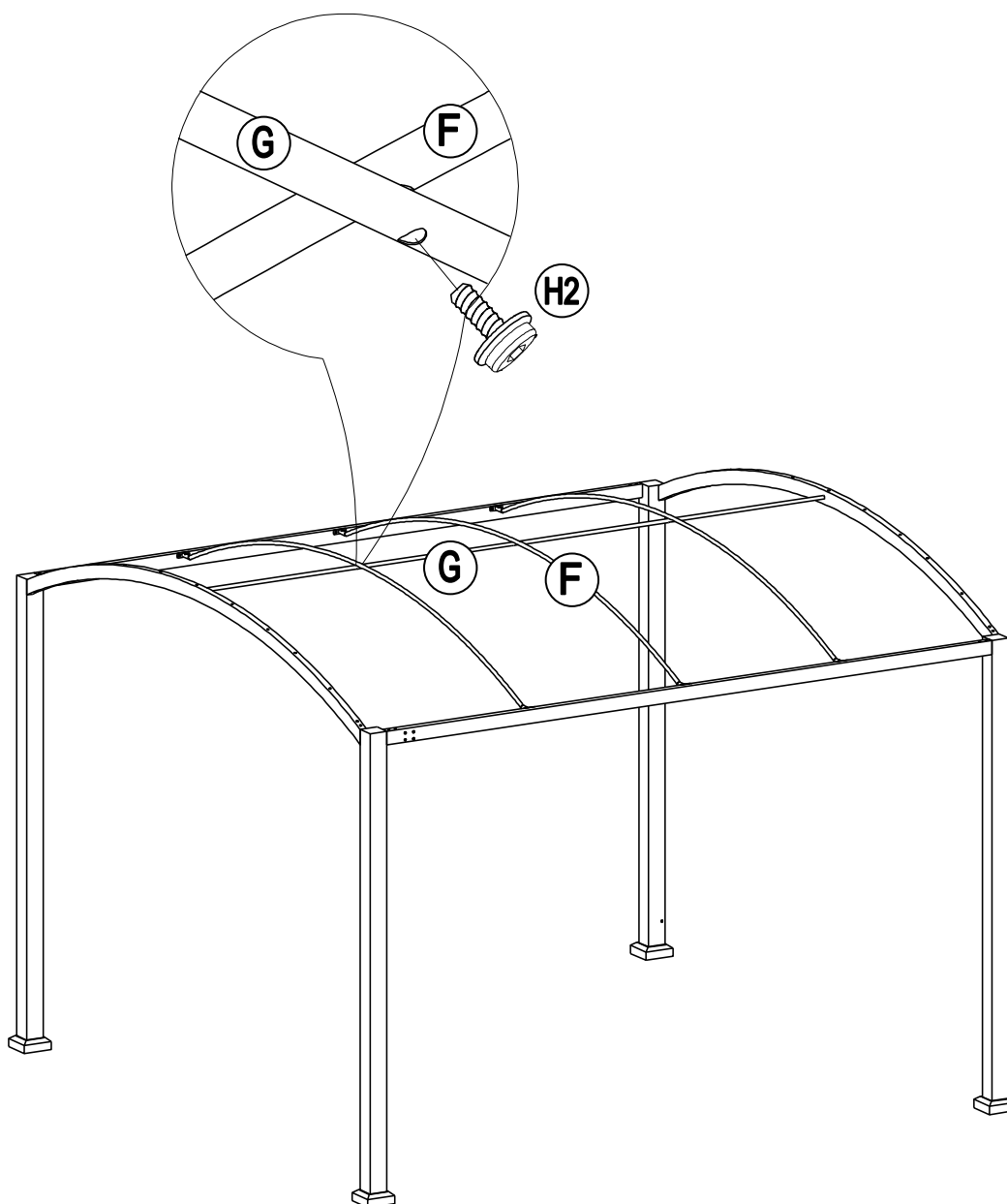
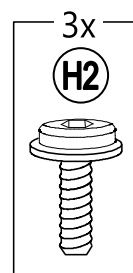
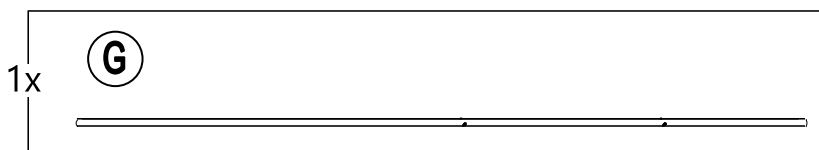
3



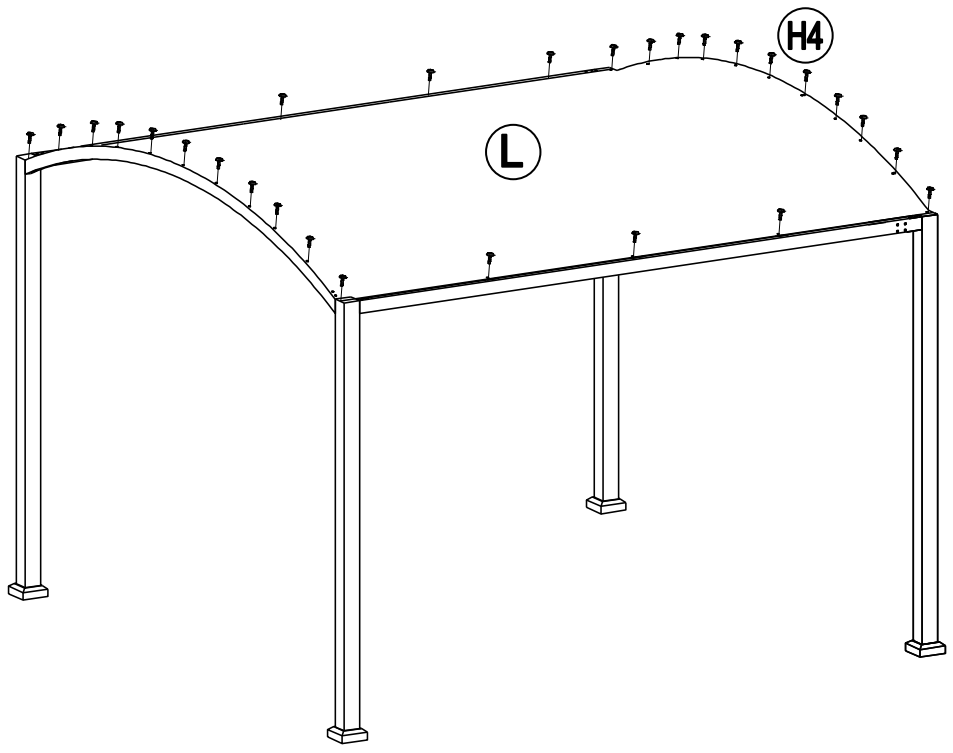
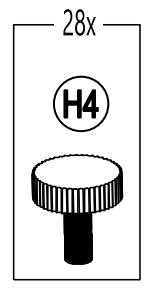
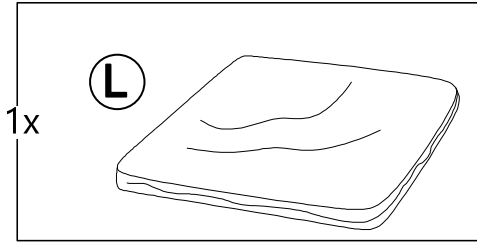
4



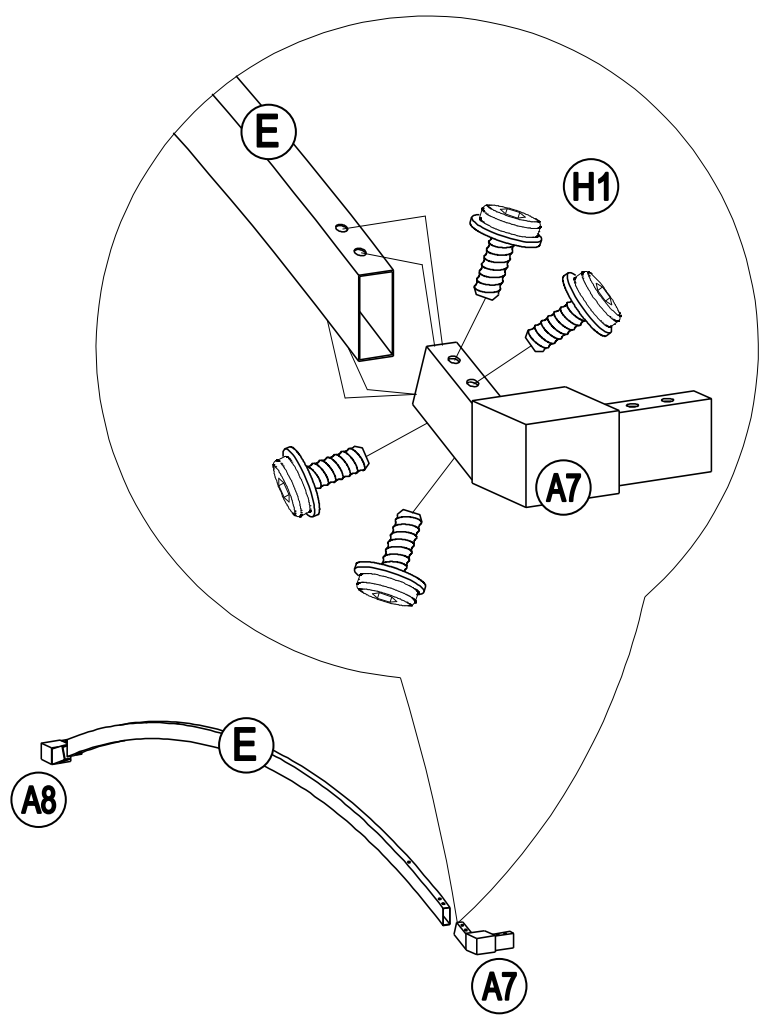
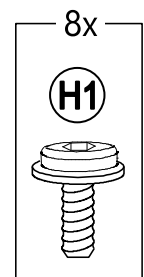
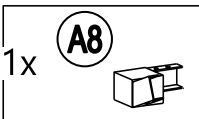
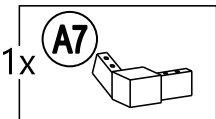
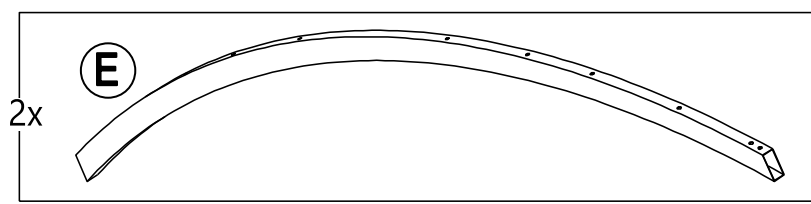
5



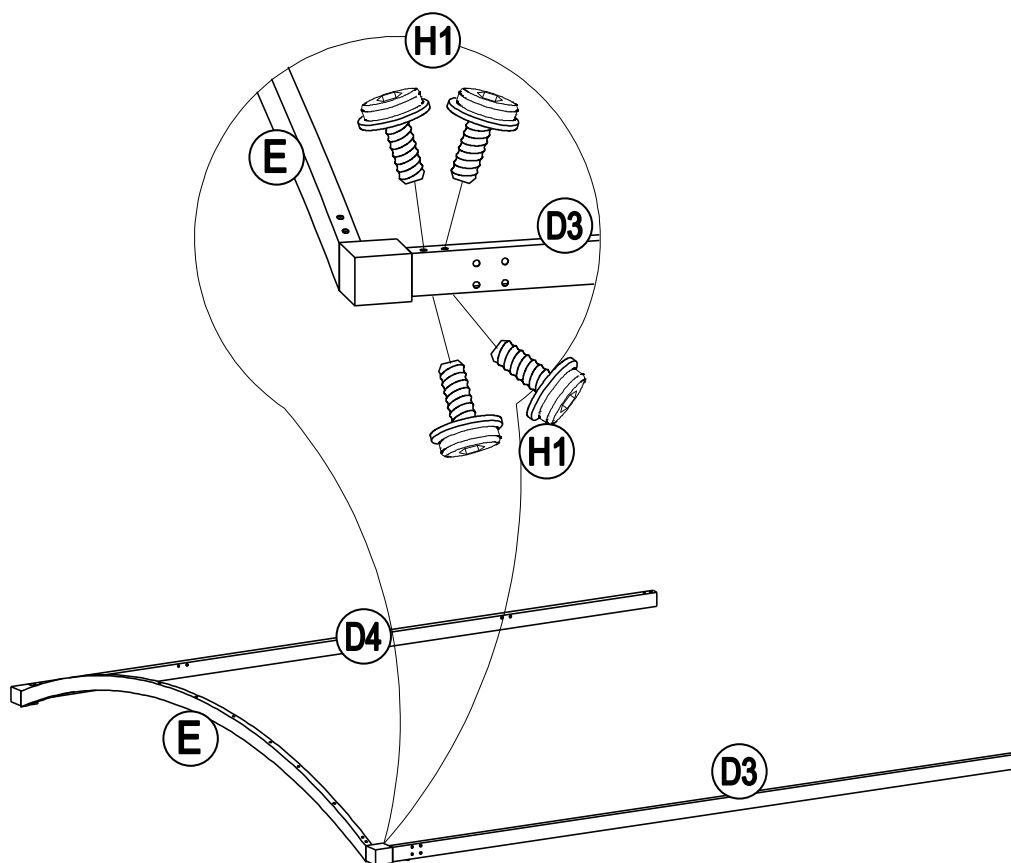
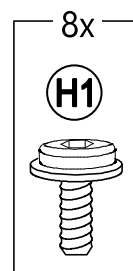
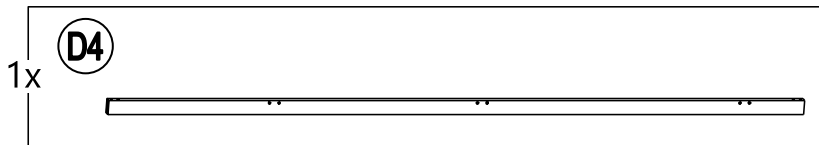
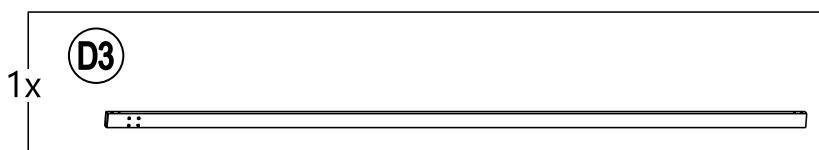
6



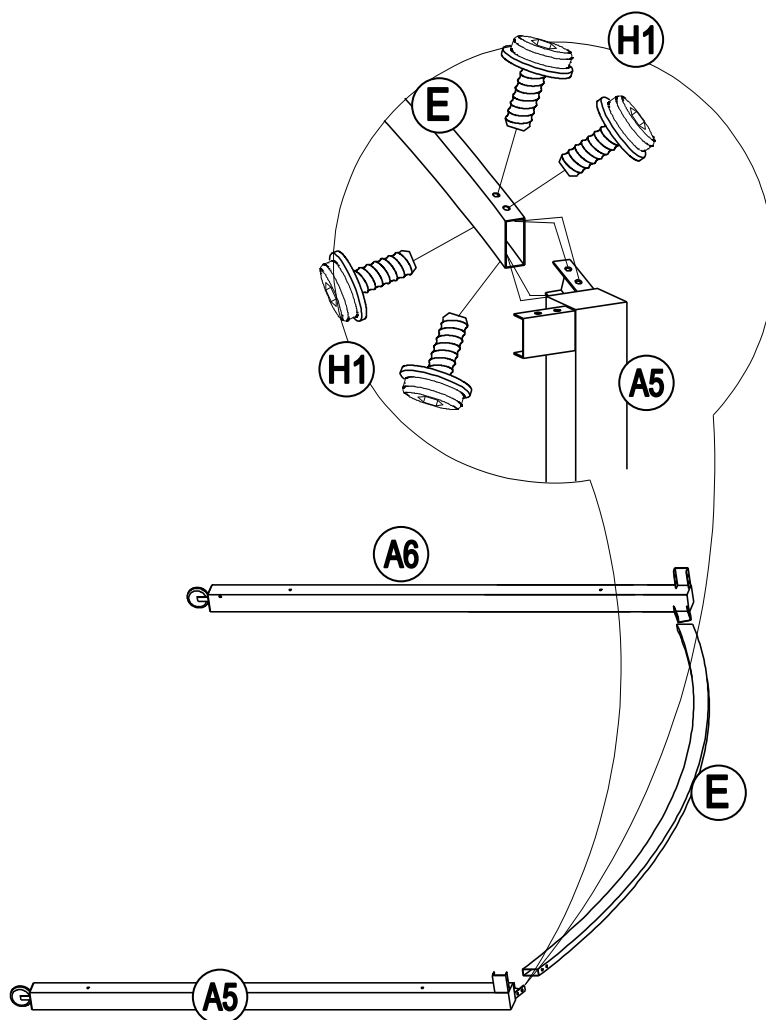
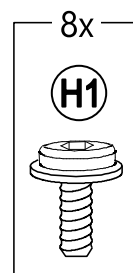
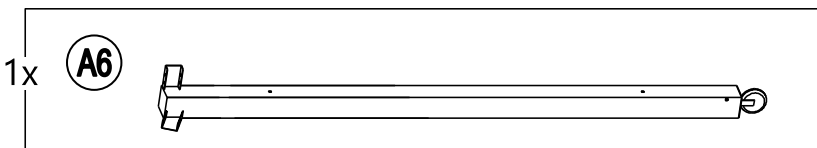
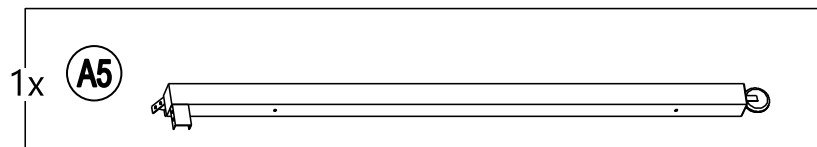
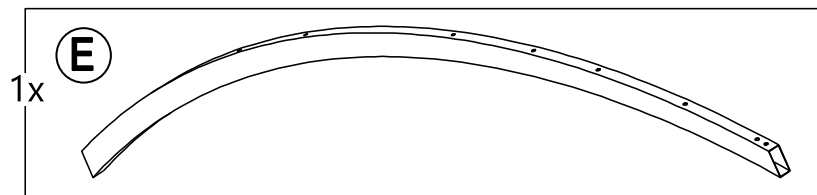
7



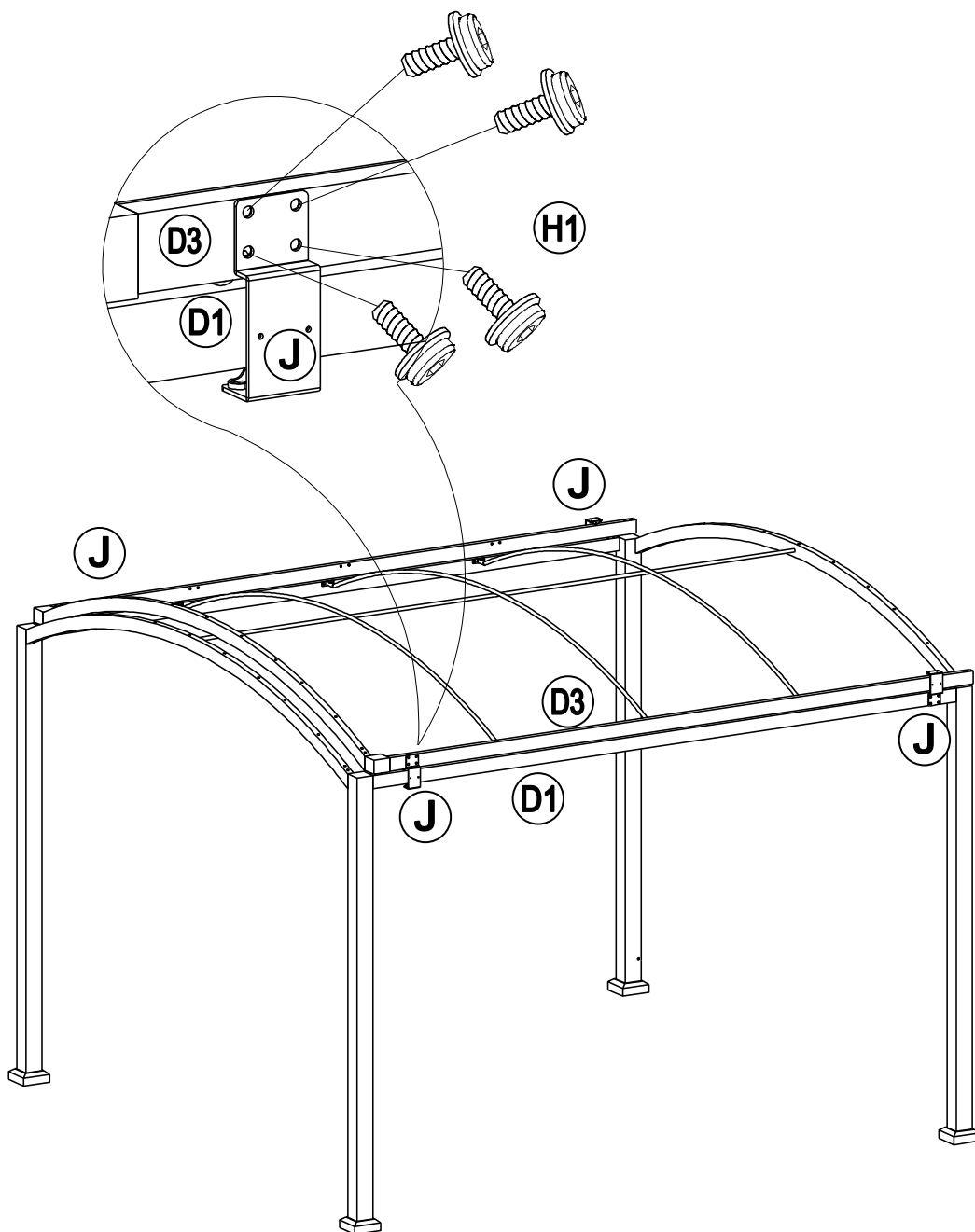
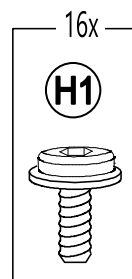
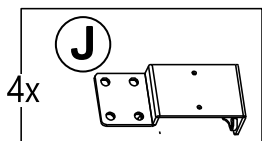
8

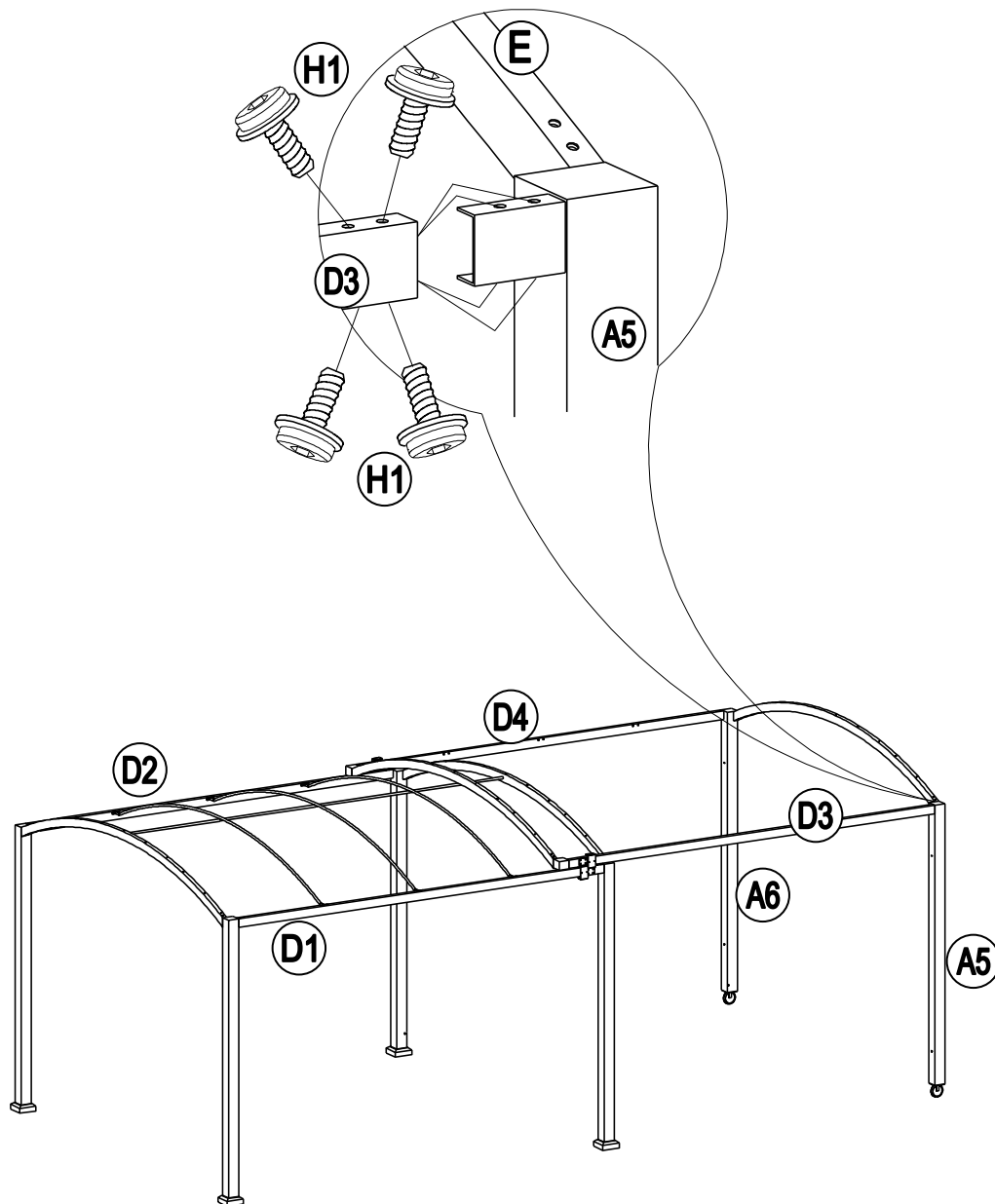
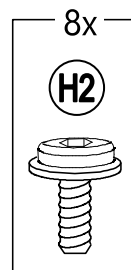


9

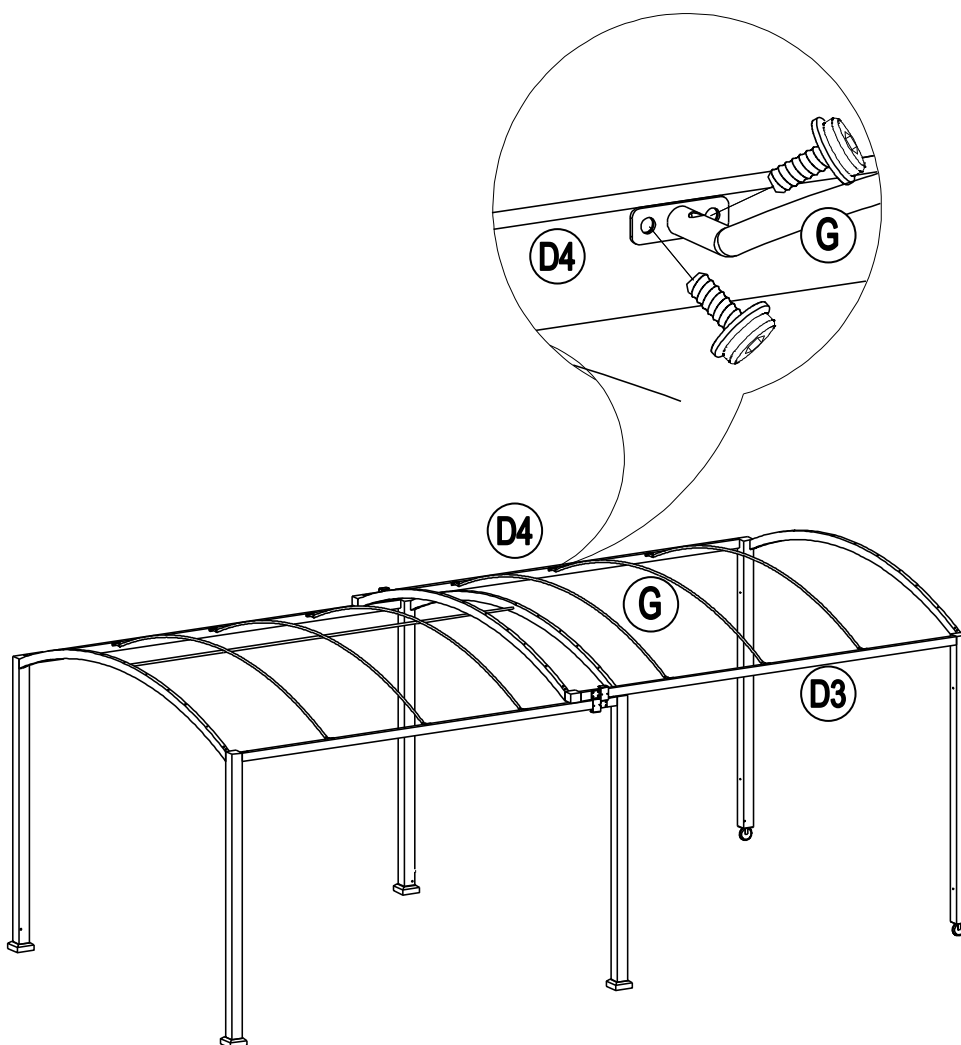
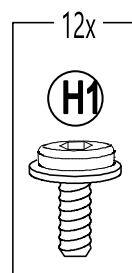
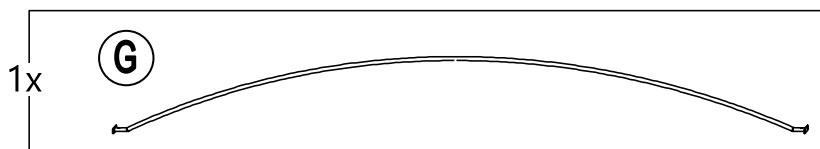


10

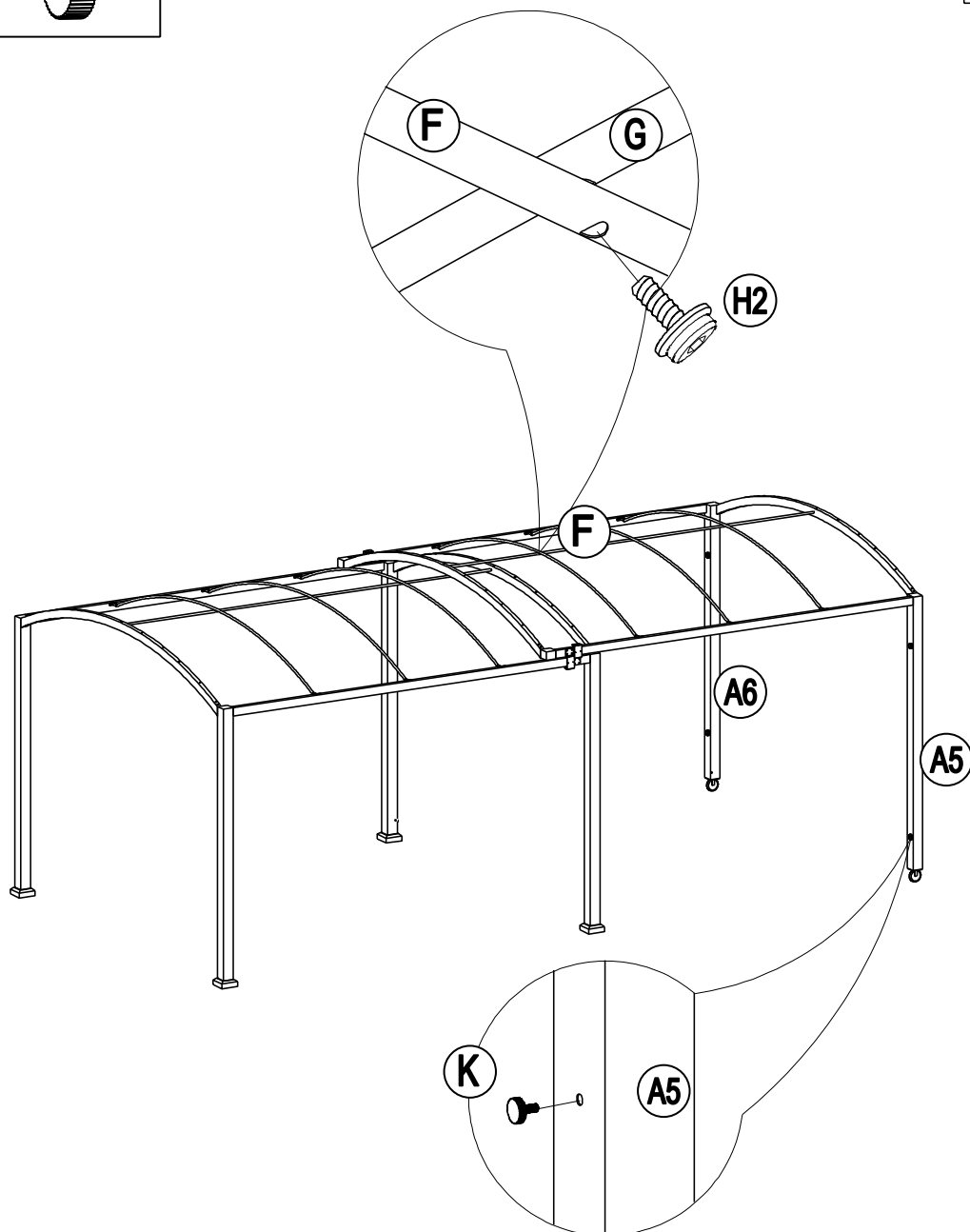
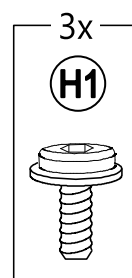
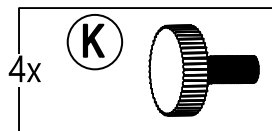
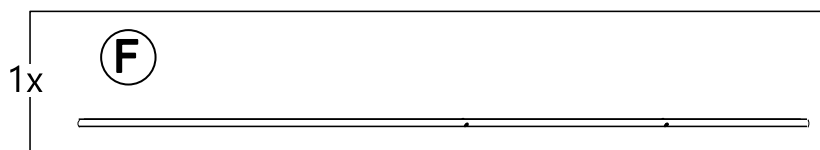




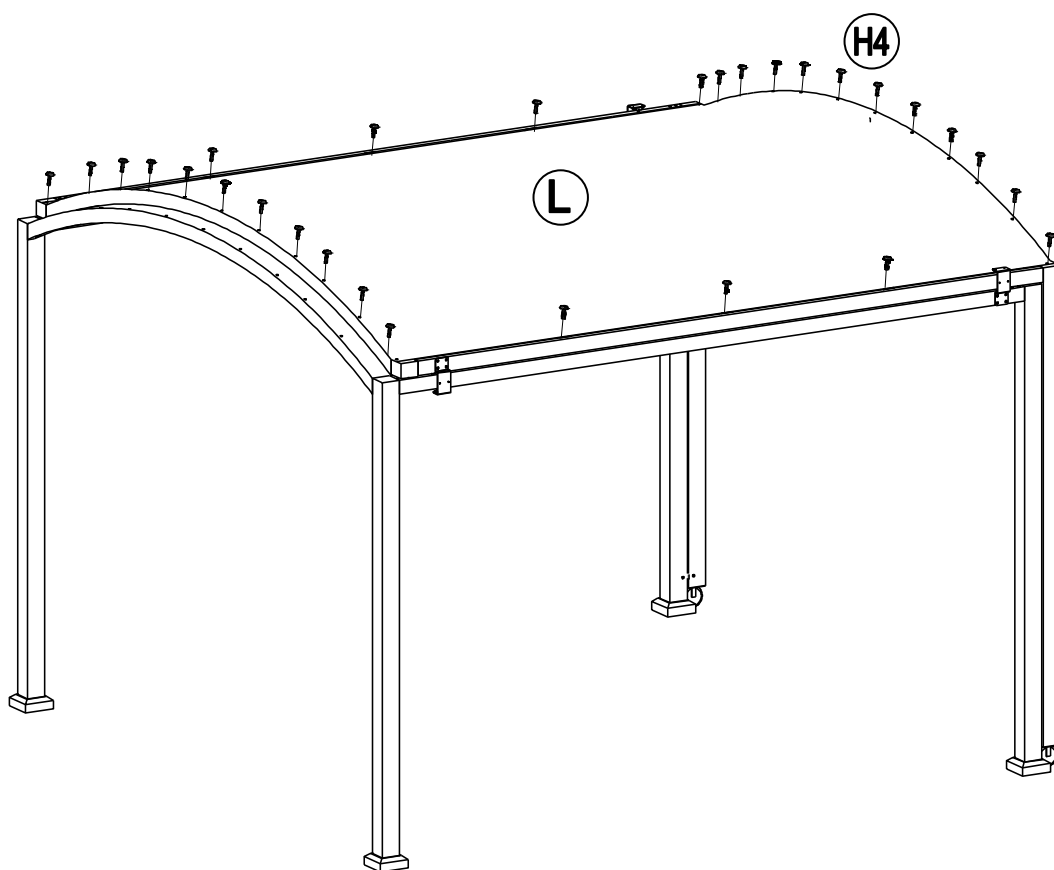
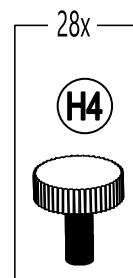
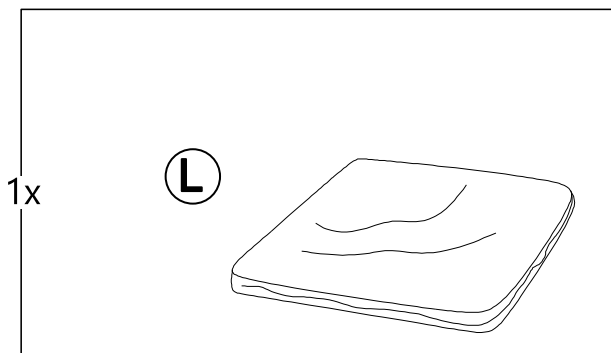
12



13



14



15

