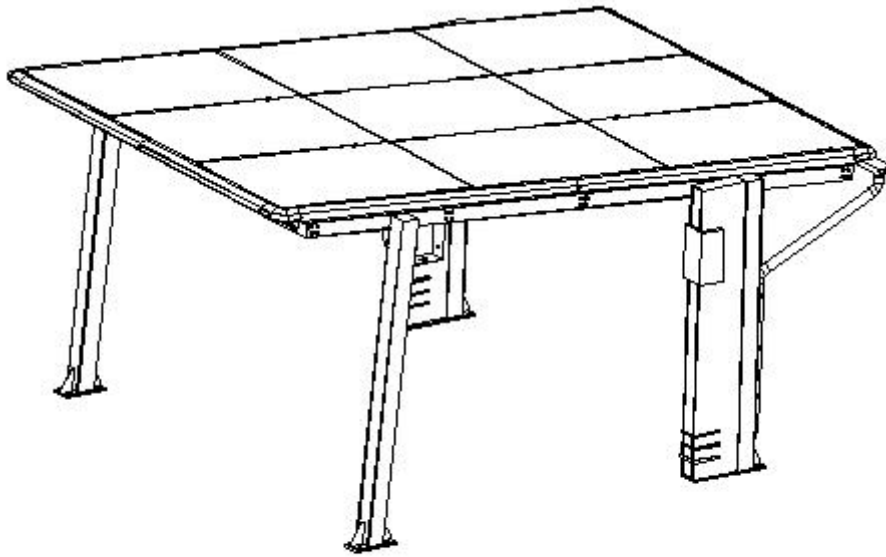


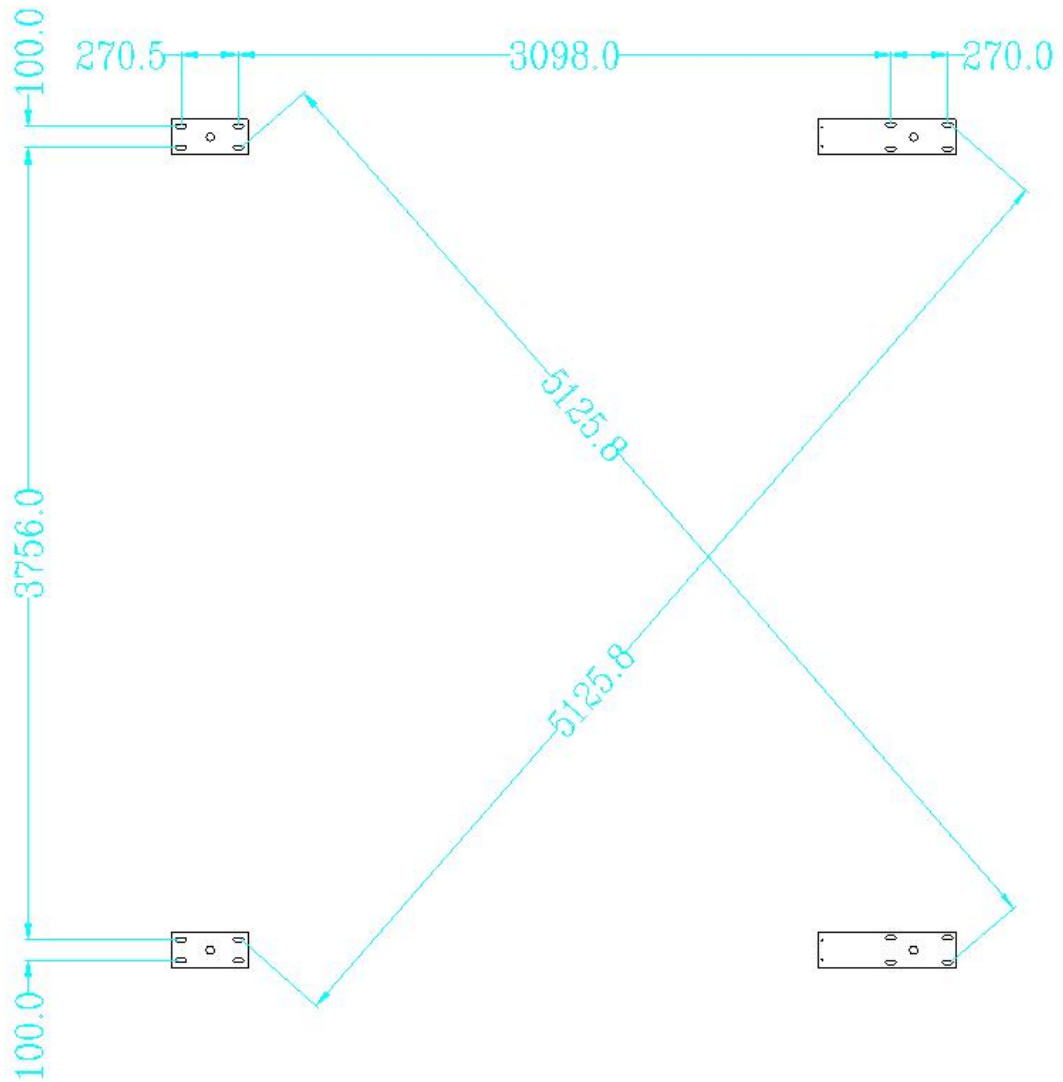
HD-01 Vertical Array 3X3 Carport Installation Manual



HD-01 vertical 3X3 carport
Installation manual

Preparing work before the installation

- ① Confirmation of the relative distance dimensions of the site foundation bolts (Please strictly follow the construction drawings for foundation embedding)

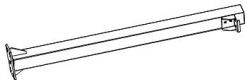
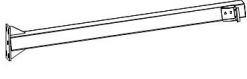
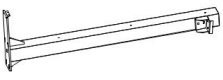
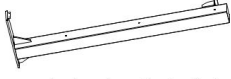
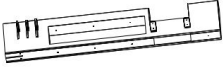
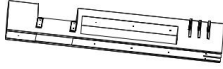


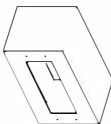











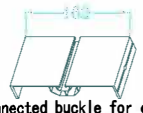

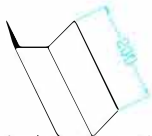
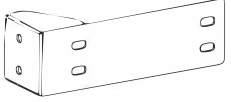

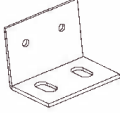





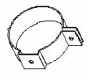
Check the relative dimensions of the anchor bolts before installation, The difference between the two dimensions of the diagonal size should be controlled within 10mm.


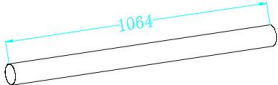
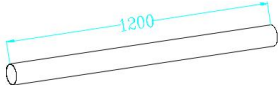

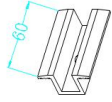

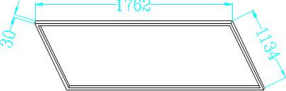
Prepare $\phi 5.0$ drill, When the efficiency of self-tapping nails is low, you can drill the bottom hole with a drill bit before hitting the self-tapping nails.

Confirm the quantity of the parts that need to be installed.

(1) Confirm the qty of all the parts.

 <p>front column-L 1pc/set</p>	 <p>front column-R 1pc/set</p>	 <p>back column-L 1pc/set</p>
 <p>back column-R 1pc/set</p>	 <p>back column decoration frame-L 1pc/set</p>	 <p>back column decoration frame-R 1pc/set</p>

 <p>back column decoration frame lamp cover 2pcs/set</p>	 <p>beam 2pcs/set</p>	 <p>purlin2 3pcs/set</p>
 <p>purlin 2pcs/set</p>	 <p>purlin bracket 10pcs/set</p>	 <p>1602</p> <p>front decoration side board 4pcs/set</p>
 <p>2554.5</p> <p>front decoration side board 2 4pcs/set</p>	 <p>side decoration side board 4pcs/set</p>	 <p>arc fillet edge 4pcs/set</p>
 <p>1062</p> <p>sub-channel 6pcs/set</p>	 <p>2541</p> <p>side main-channel 4pcs/set</p>	 <p>2663</p> <p>mid main channel 4pcs/set</p>
 <p>102</p> <p>connected buckle for clamp 24pcs/set</p>	 <p>130</p> <p>main channel connecting parts 4pcs/set</p>	 <p>130</p> <p>main channel connecting part 2 2pcs/set</p>
 <p>gutter lift 4pcs/set</p>	 <p>gutter fastening hoop 4pcs/set</p>	 <p>gutter fastening parts 4pcs/set</p>
 <p>gutter 1pc/set</p>	 <p>gutter2 1pc/set</p>	 <p>gutter sealing cover 2pcs/set</p>
 <p>gutter clip connector 1pc/set</p>	 <p>drainer 1pc/set</p>	 <p>holding bracket 3pcs/set</p>

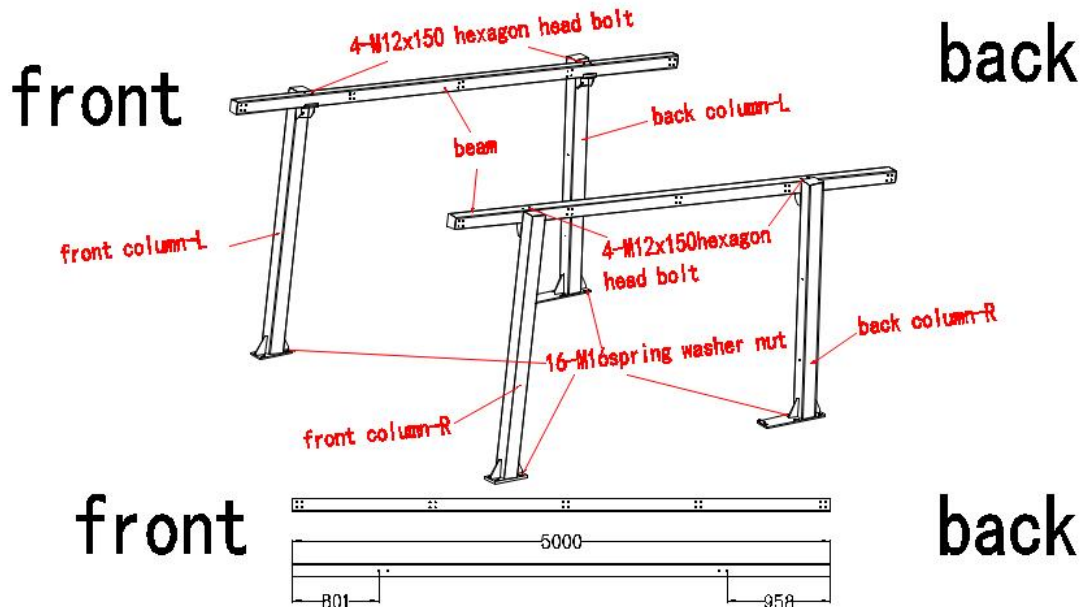
 65° curving part 2pcs/set	 draining pipe 1pc/set	 draining pipe 1pc/set
 front fascia 1pc/set	 mid clamp 3 12pcs/set	 30 edge clamp1 12pcs/set
 PV modules 9pcs/set		

(2) Confirm the accessories .

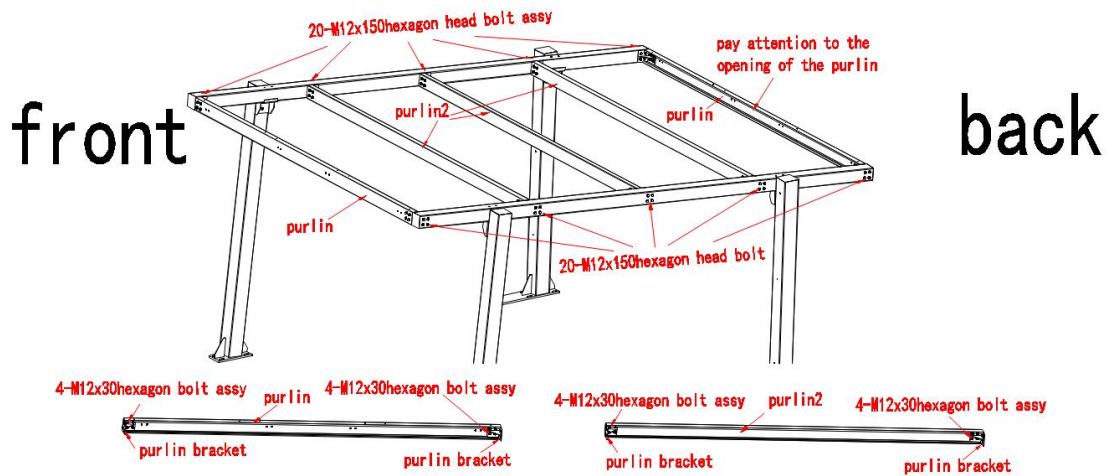
N	Descriptions	Specification	Material	Qty	Unit	Length (mm)	Remarks
29	Neutral silicone structural adhesive	/	/	1	pc	/	
30	Holding bracket selftapping nails	ST6.3x19	SUS410	19	set	0	with white adhesive pads
32	Pipe clamp screws	M5X15 Crosshead	galvanize	3	set	0	
33	Edgy clamp bolt	M8x20hex socket	SUS304	12	set	0	with 1 spring pad
34	Mid clamp bolt	M8x25hex socket	SUS304	12	set	0	with 1 spring pad
35	Bolt fir side decoration frame and column	M6x20hex socket	SUS304	10	set	0	with 1 spring pad
36	Diagonal beams and purlin supporting boards bolt	M12x150hex socket	8.8 class HDG	40	set	0	With 2 felt pads,1 spring pad,and 1nut
37	Diagonal beams and column supporting boards bolt	M12x150hex socket	8.8 class HDG	8	set	0	With 2 felt pads,1 spring pad,and 1nut
38	Gutter ornament bolt	M12x30hex socket	8.8 class HDG	24	set	0	With 2 felt pads,1 spring pad,and 1nut
39	Bolt fir purlin and purlin supporting board	M12x30outerhexagon screw	8.8 class HDG	40	set	0	With 2 felt pads,1 spring pad,and 1nut
40	Bolt fir front fascia and purlin	M12x30outerhexagon screw	8.8 class HDG	8	set	0	With 2 felt pads,1 spring pad,and 1nut
41	Lamp cover bolt	M4x15 Crosshead	galvanize	8	set	0	
42	Connecting selftapping screw fir channel and purlin	ST6.3x19	SUS410	20	set	0	with white pad
43	Connecting selftapping screw fir channel and channel connector	ST6.3x19	SUS410	16	set	0	with white pad
44	Selftapping screw fir clamp connecting clamp	ST6.3x19	SUS410	96	set	0	with white pad
45	Selftapping screws fir external blinding	ST6.3x19	SUS410	40	set	0	with white pad
46	Fron fascia,gutter ornament selftapping screw	ST6.3x19	SUS410	48	set	0	with white pad

Installation process.

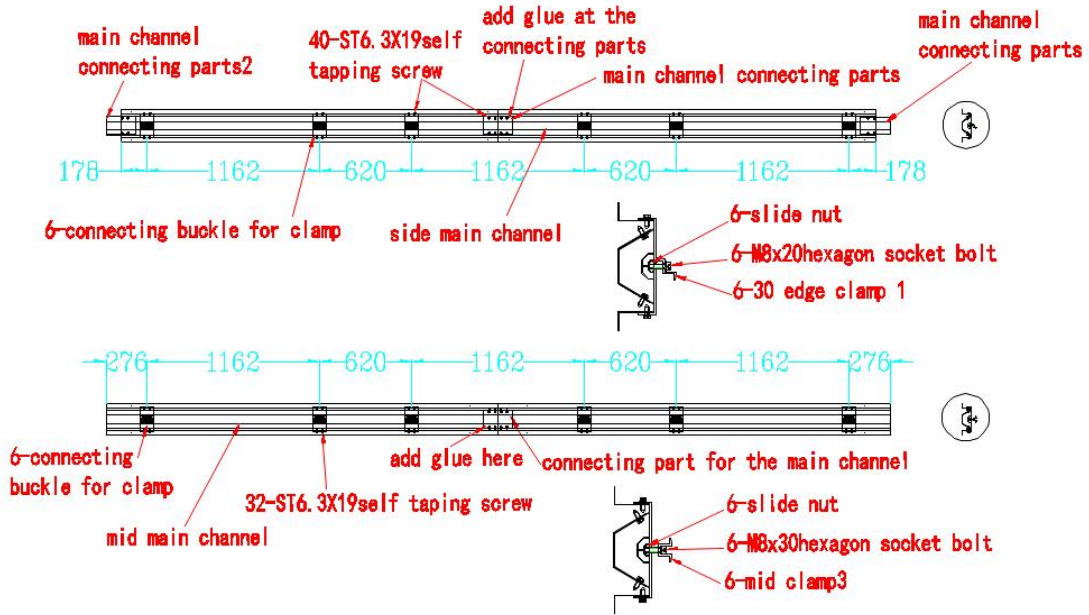
First install the four front and back columns and install the diagonal beams on both sides (note that the diagonal beams have front and rear directions), pre-install the screws and nuts, and do not need to tighten.



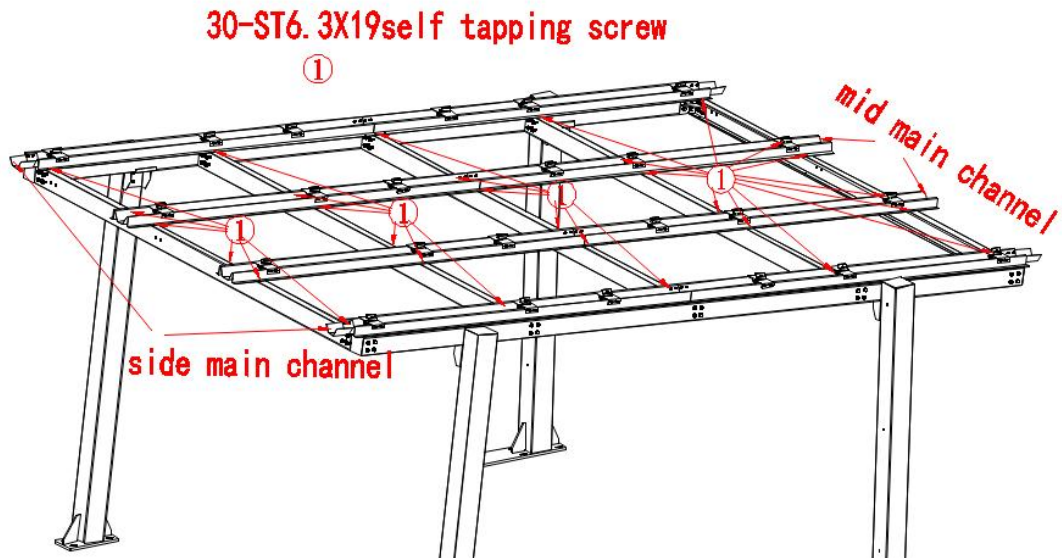
Install purlin bracket at both ends of the 5 purlins, pay attention to distinguish the specifications of the purlins and the direction of the opening.



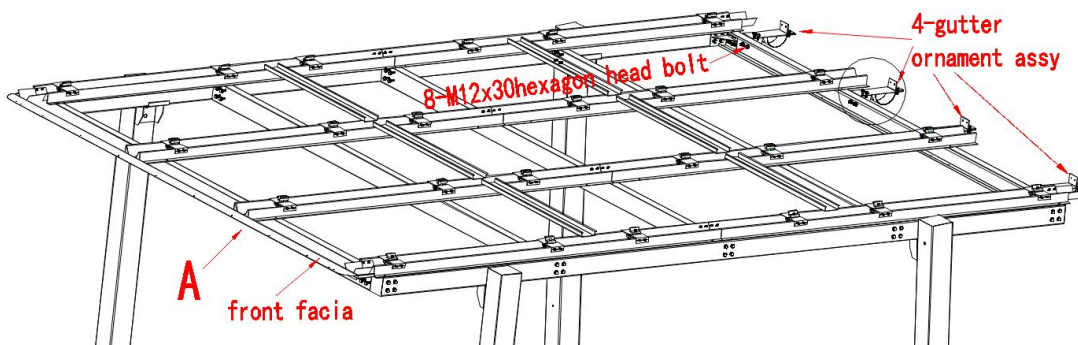
Assemble the side main channel group and the middle main channel group first, The clamp connection buckle is stamped with self-tapping nails according to the size. The main sink connector and the main sink connector 2 need to be glued first and then hit the self-tapping nails.

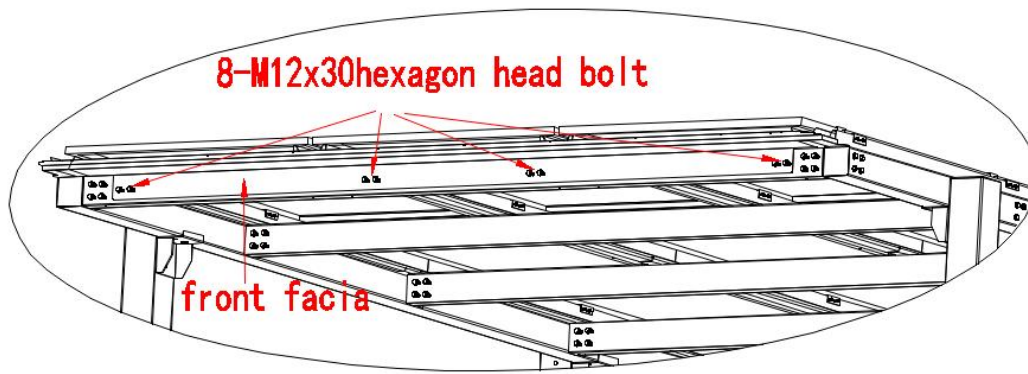


Install the channel assy,fix the holes on the two ends, Put on the self-tapping nails, put on self-tapping nails for all the purlins.

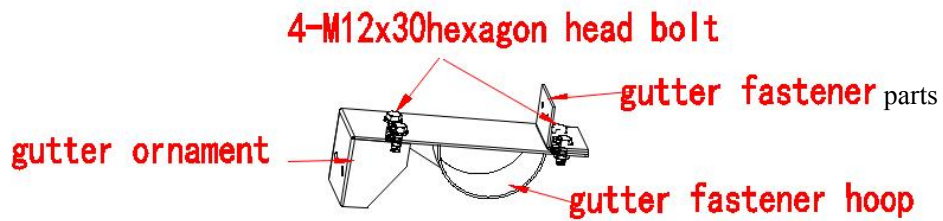


1. Install the front fascia and gutter ornament, do not tighten the screws, prepare for the installation of the gutter.



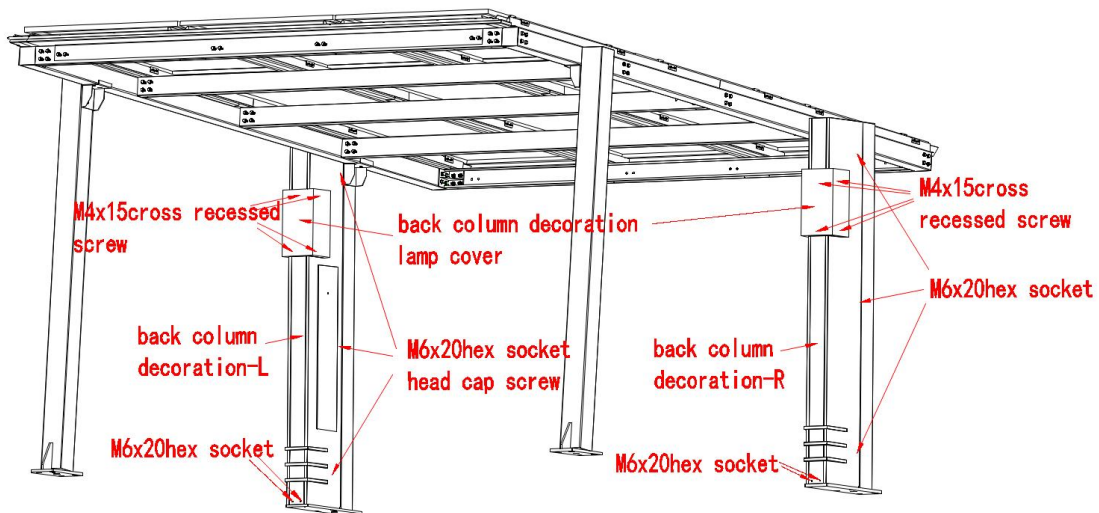


A-A

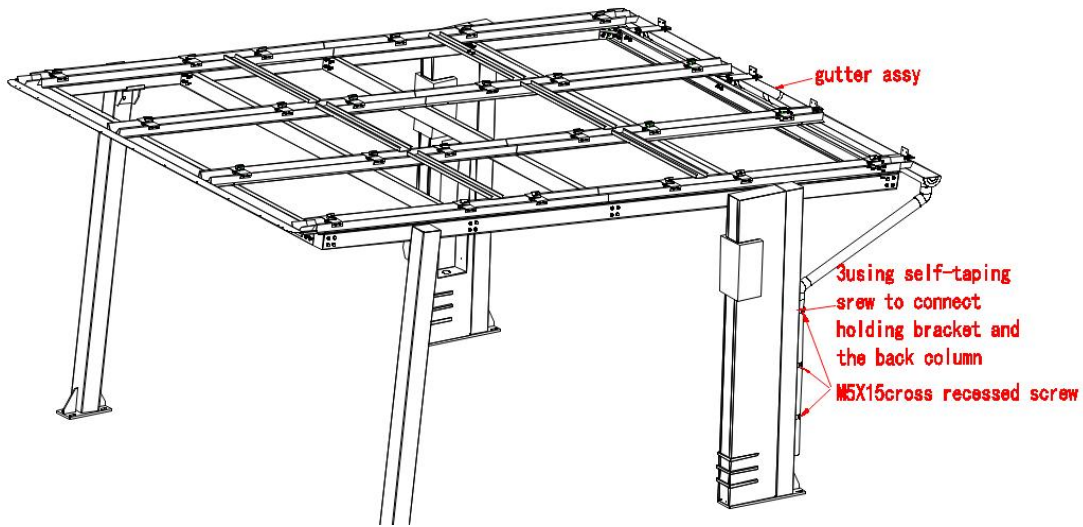
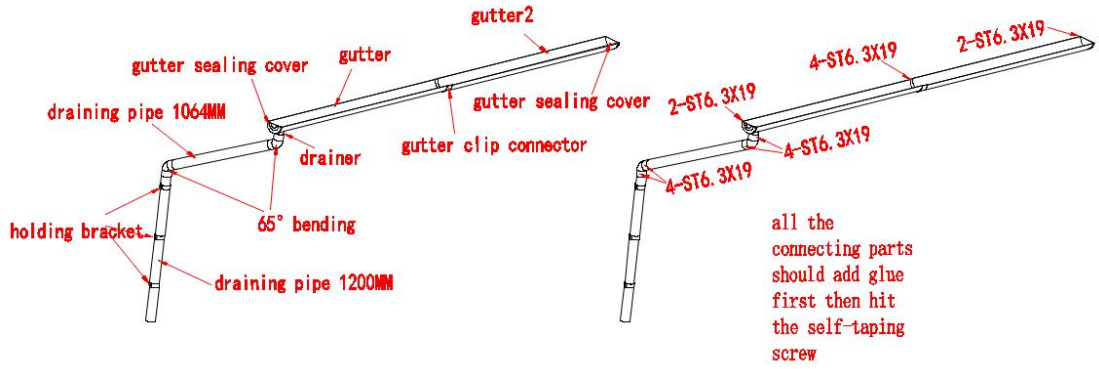


gutter ornament

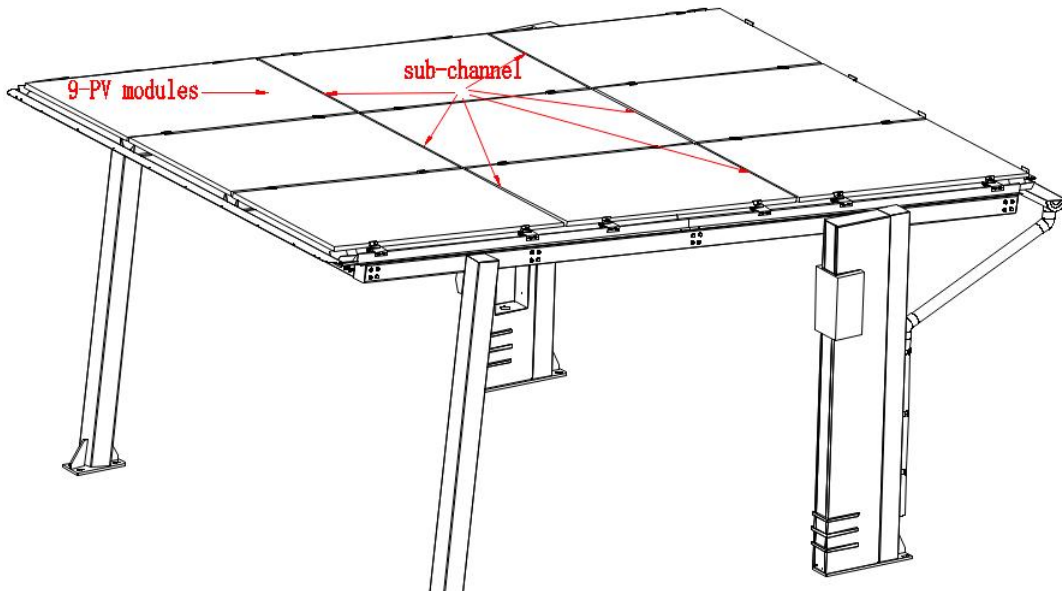
2. Connect the cables for the lamp and then lead it to the decoration frame and fix it, install the back column decoration frame on the back column, connect the cable with the AC power, finally add glue on the lamp box and the decoration frame on the back column.



3. First, install the gutter, gutter2, gutter sealing cover, gutter clip connector, drainer together, then the gutter ornament. Next, put together draining pipe 1064mm, draining pipe 1200mm, 65° bending, connect the drainer. All the connecting parts need add glue. Nail the holding bracket on the column.



4. Install the PV modules (pay attention to put the sub-channel between the modules and the main channel) , tighten them all.



5. Install the front decoration boards² for the two sides of binding with self-taping screws. Nail the front fascia of the front and back columns, then the gutter ornament.

