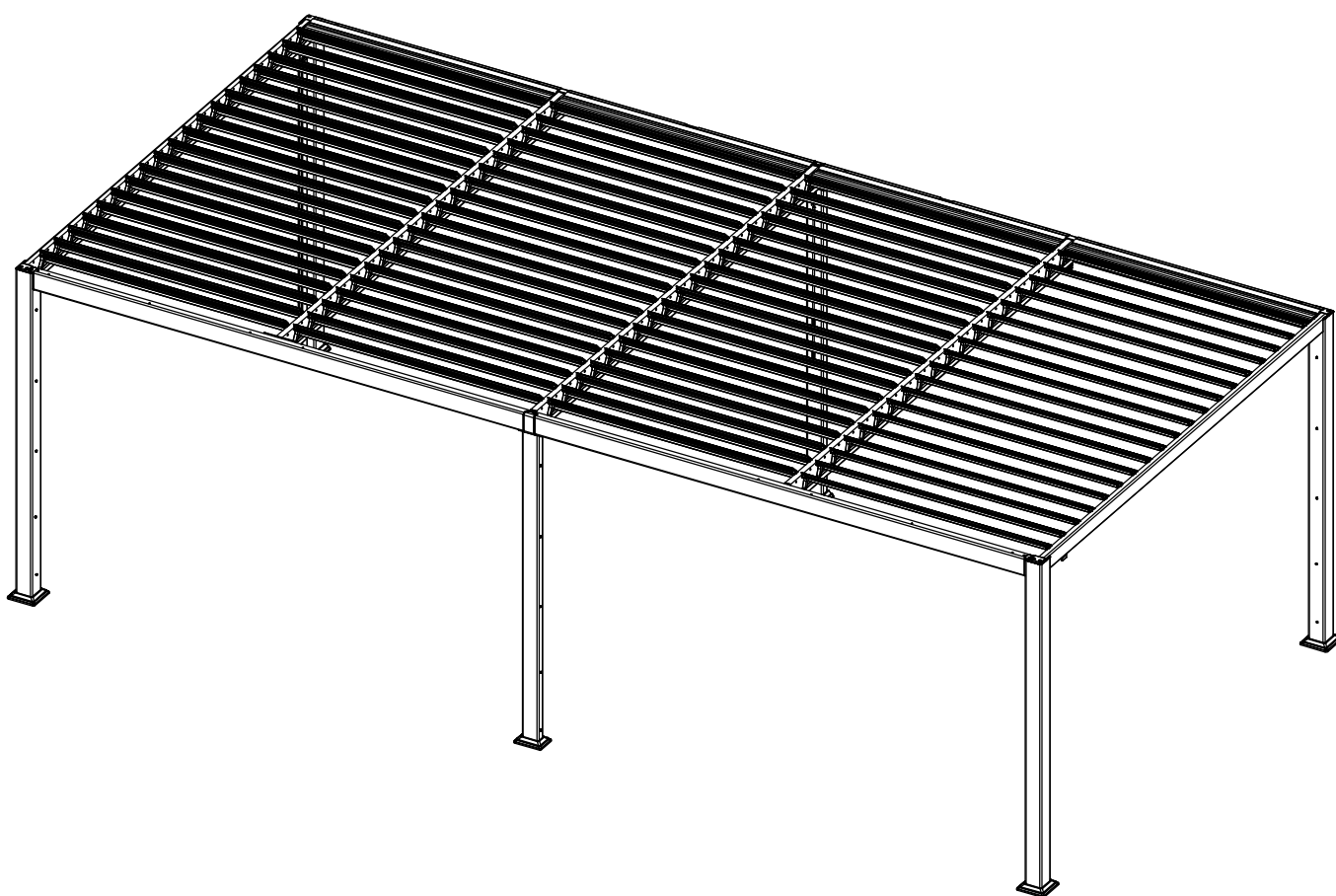
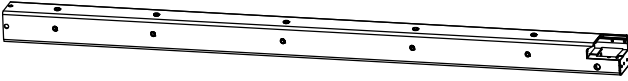

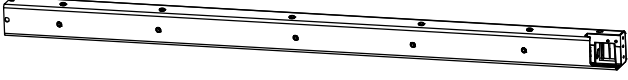
















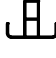


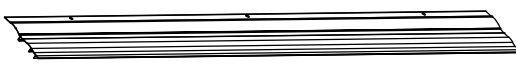

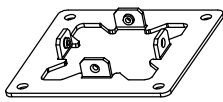

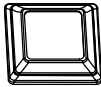
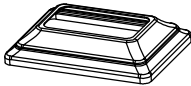
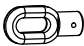


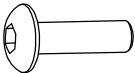
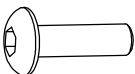

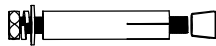
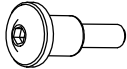






IM FOR GAL103

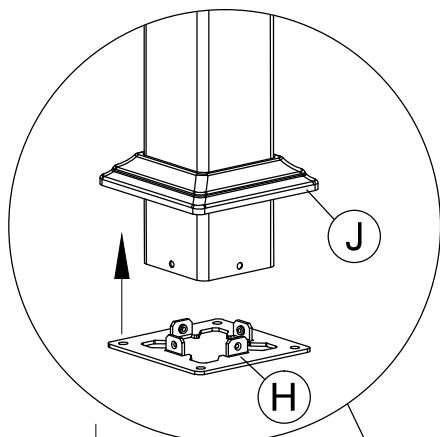
7.2*3.5*2.3M



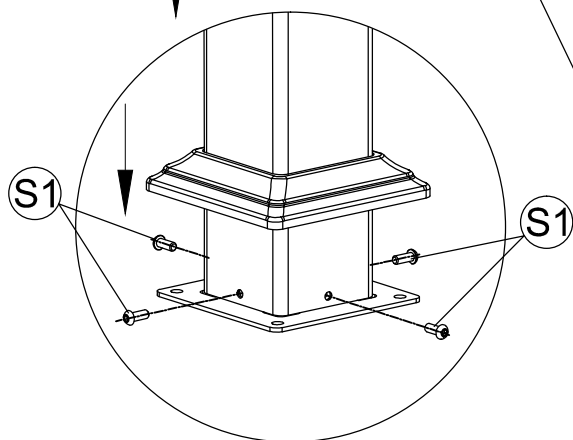
REF	PCE	PIECE		QTY	DIM
	A1			2	
	A2			2	
	A3			2	
	B1			2	
	B2			2	
	C1			1	
	C2			1	
	D			1	
	D1			1	
	D2			1	
	F			152	
	G			4	
	H			4	
	H1			2	

REF	PCE	PIECE	QTY	DIM
	J		4	
	J1		2	
	L		4	
	M		2	
	R		1	
	S1	 M6*15	38+2	
	S2	 M8*20	52+2	
	S3	 M4*18	4	
	S4		12+1	
	S5		2	
	T1		2	
	T2		1	
	T3		1	
		 Silicone neutral glass glue, purchased by customers		

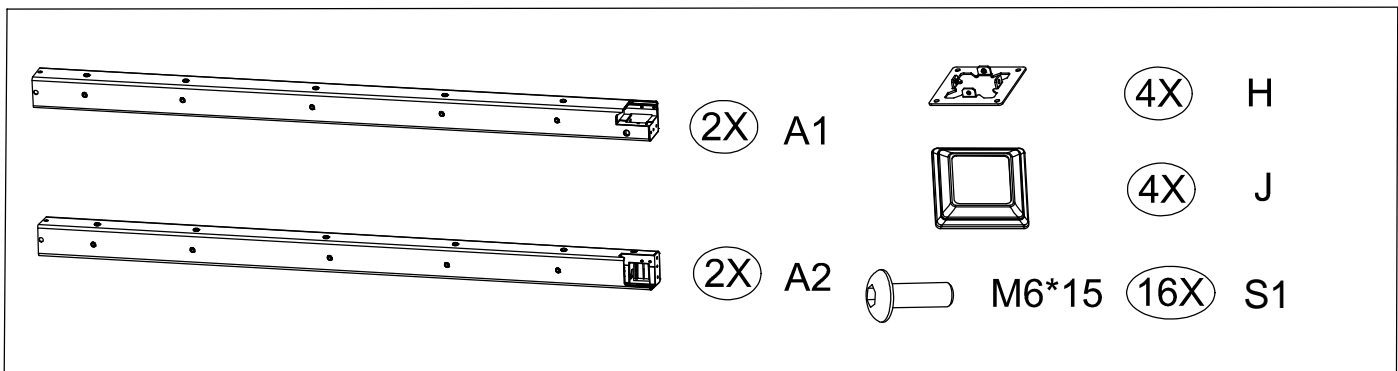
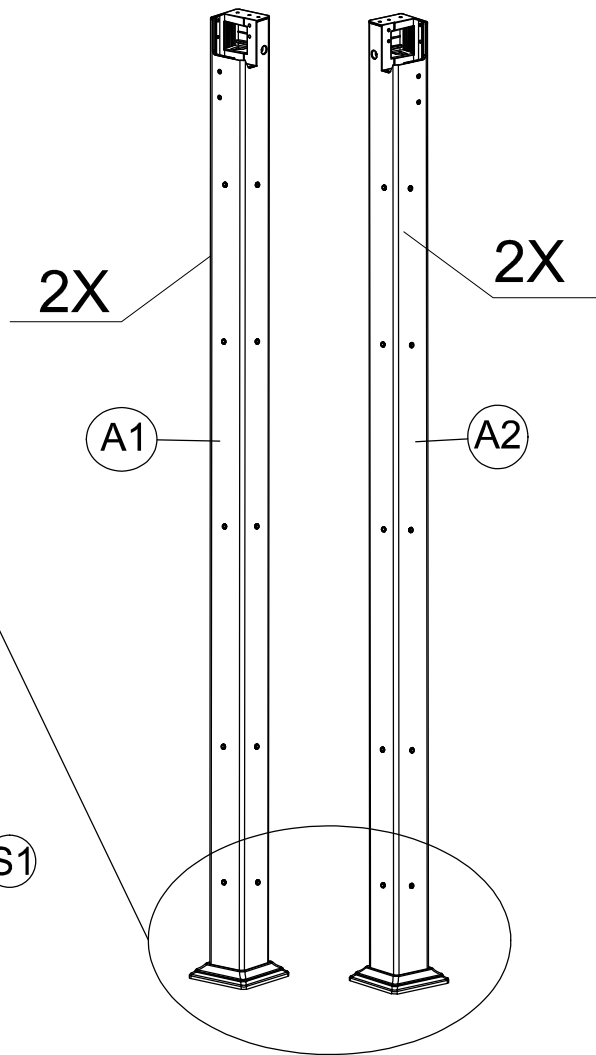
STEP 01



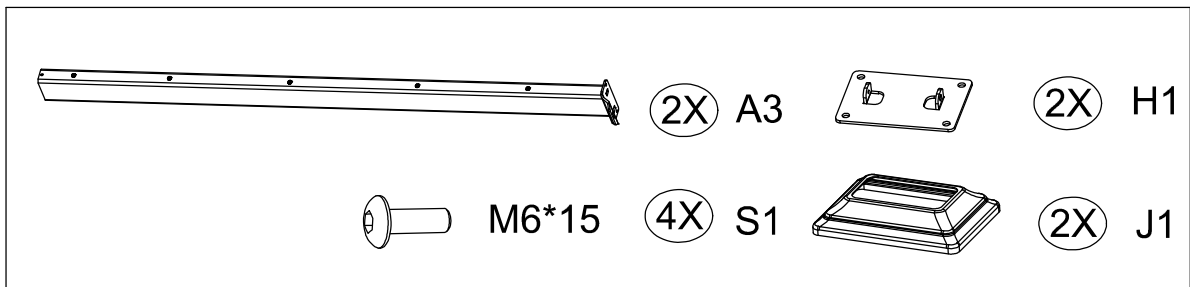
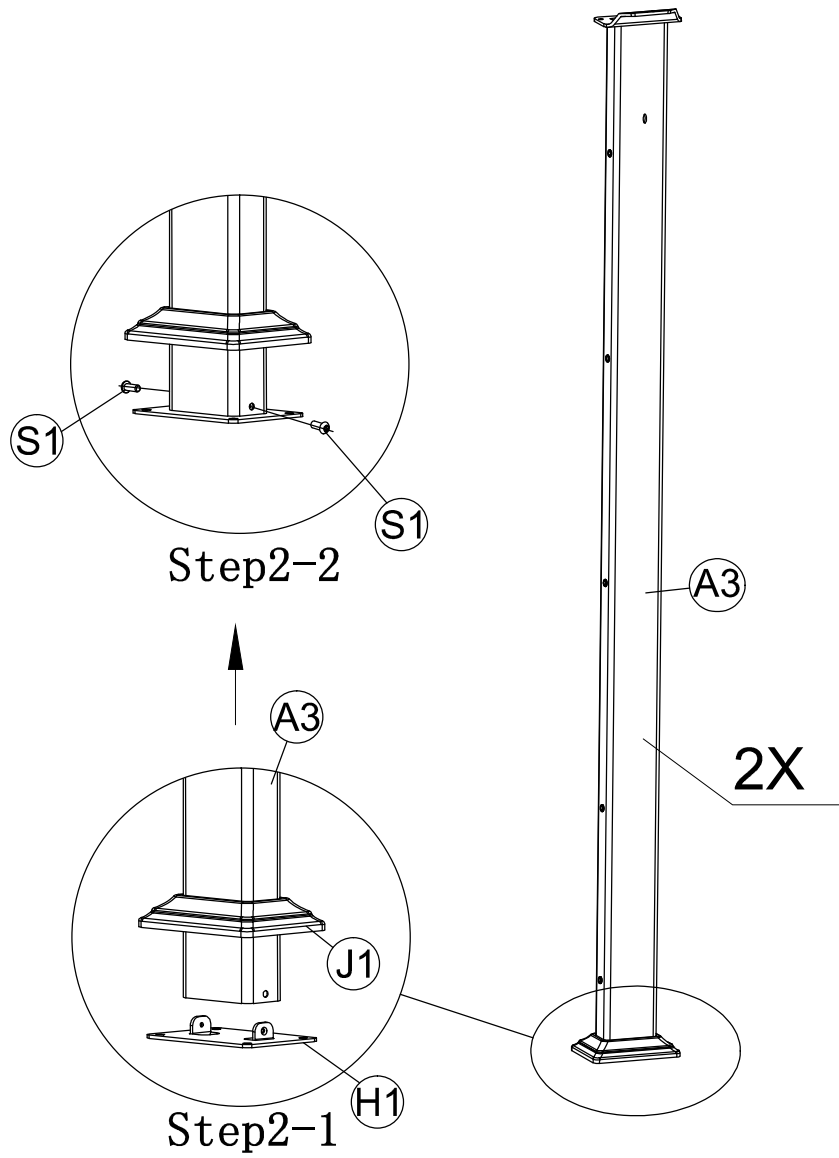
Step1-1



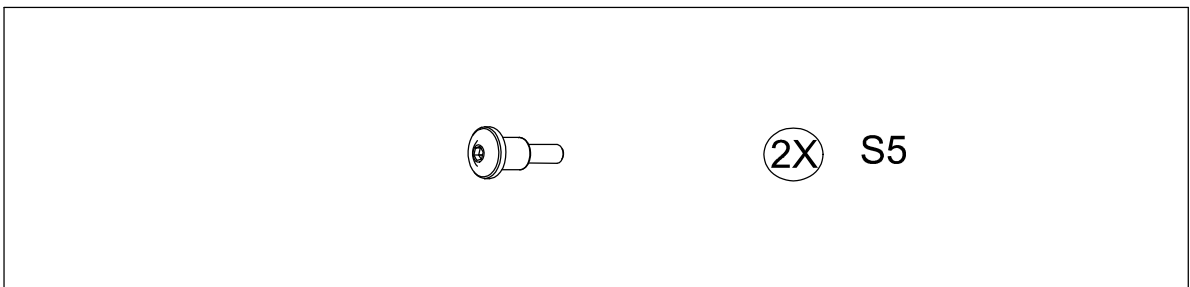
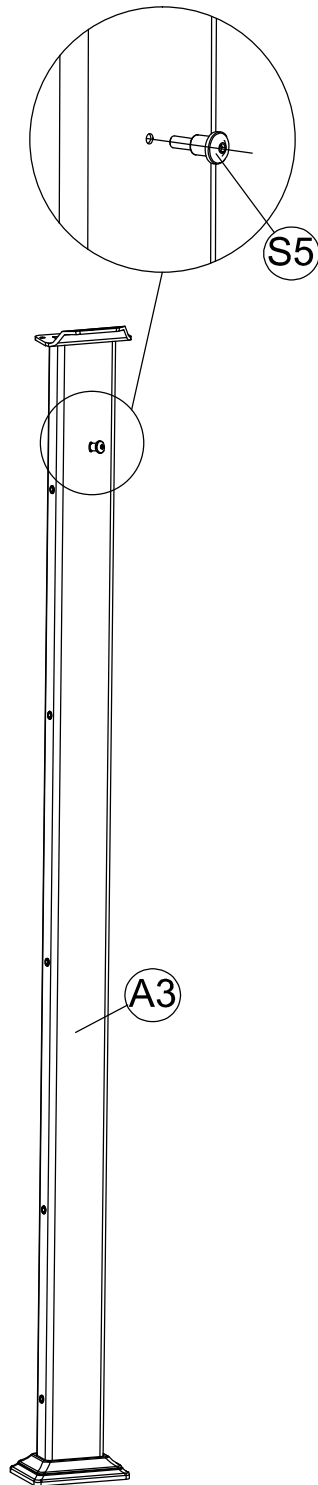
Step1-2



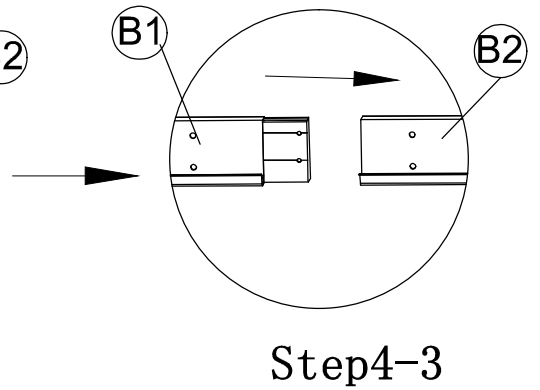
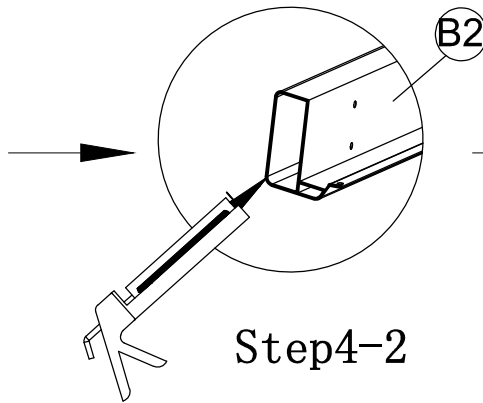
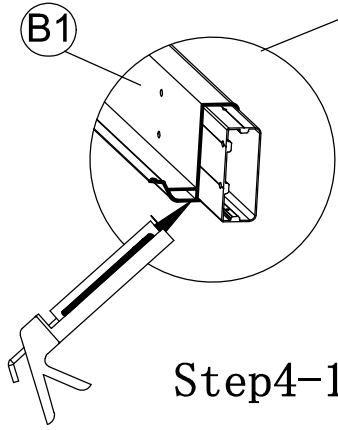
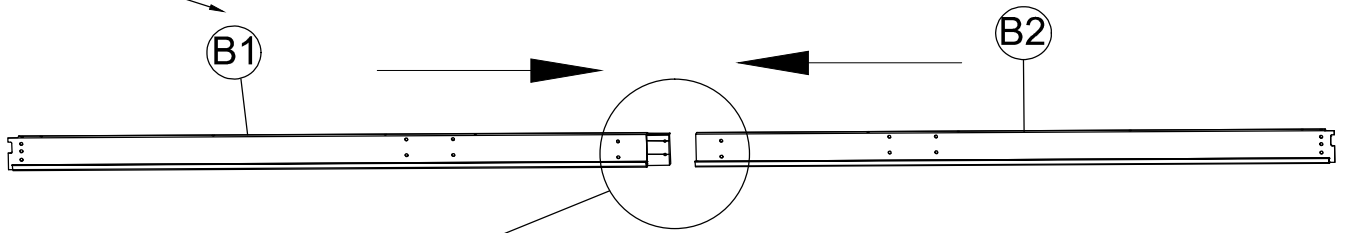
STEP 02



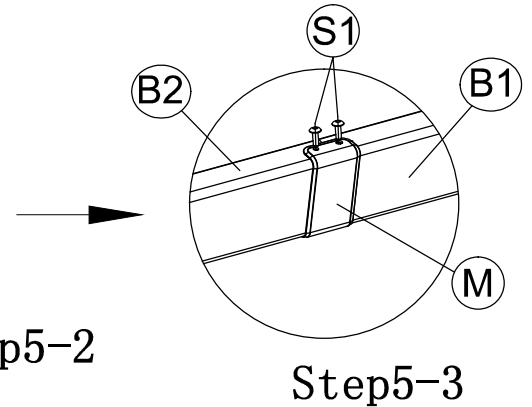
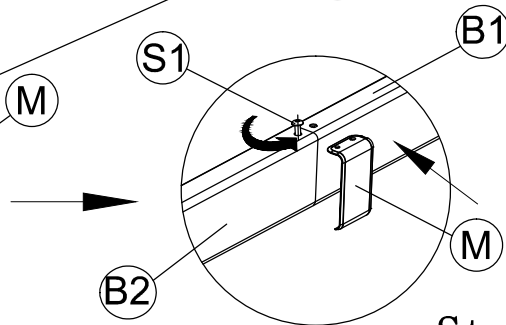
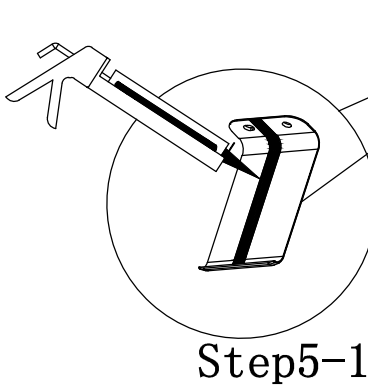
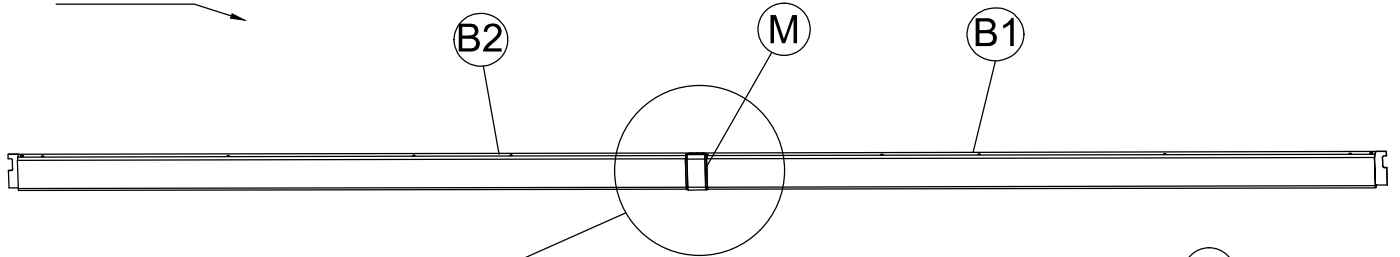
STEP 03



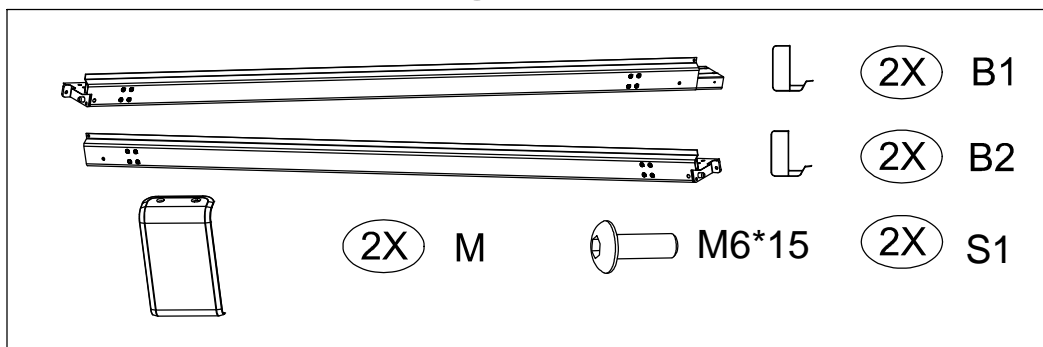
STEP 04



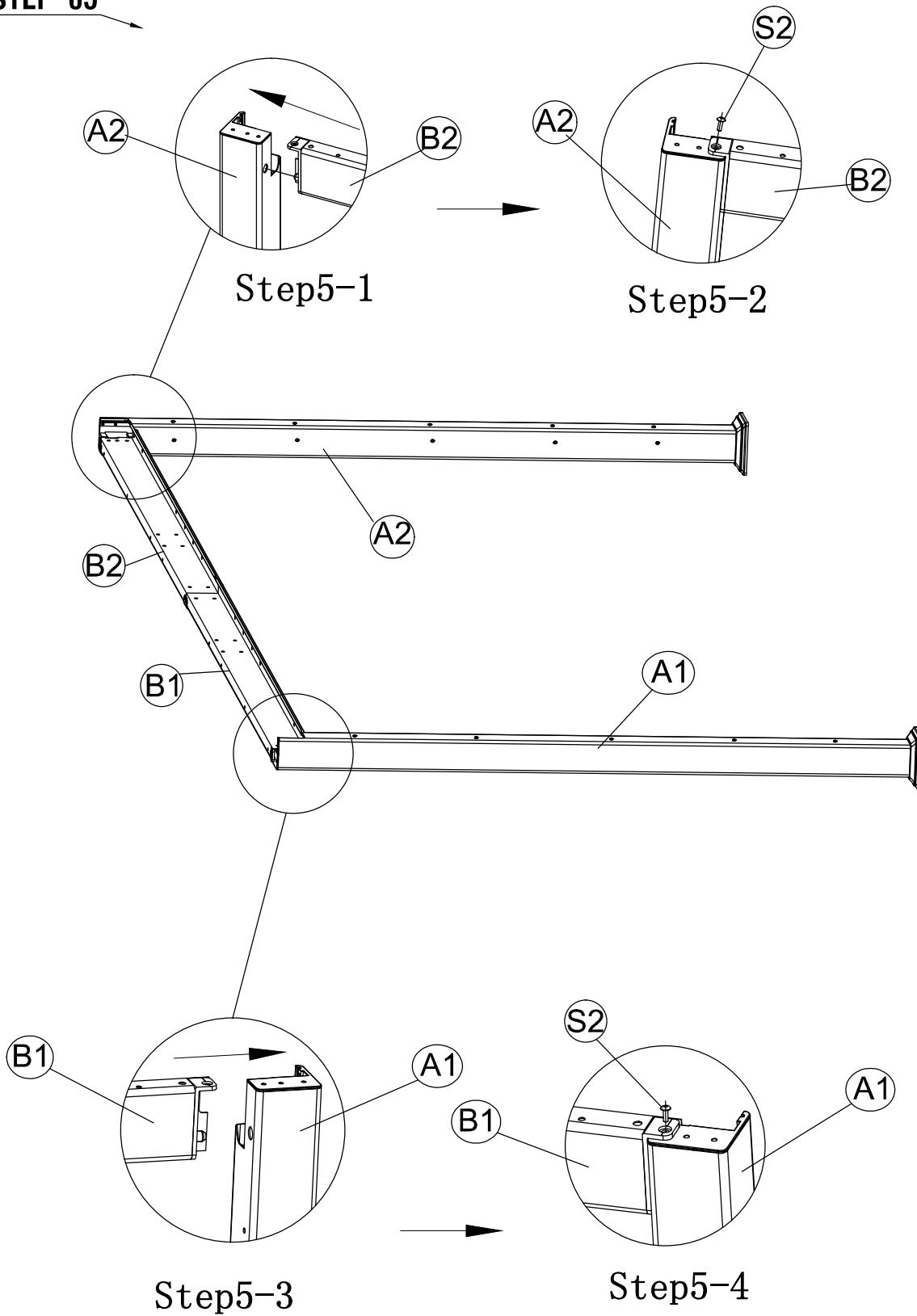
STEP 05

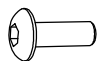


Take out part (S1) first, then assemble part (M)

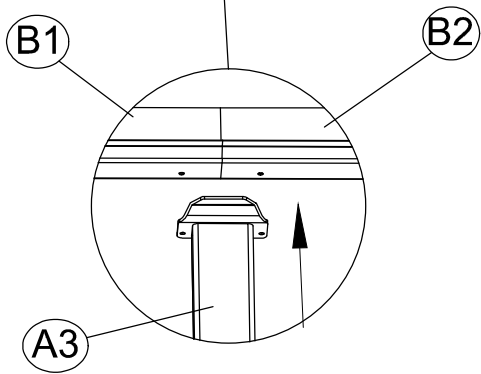
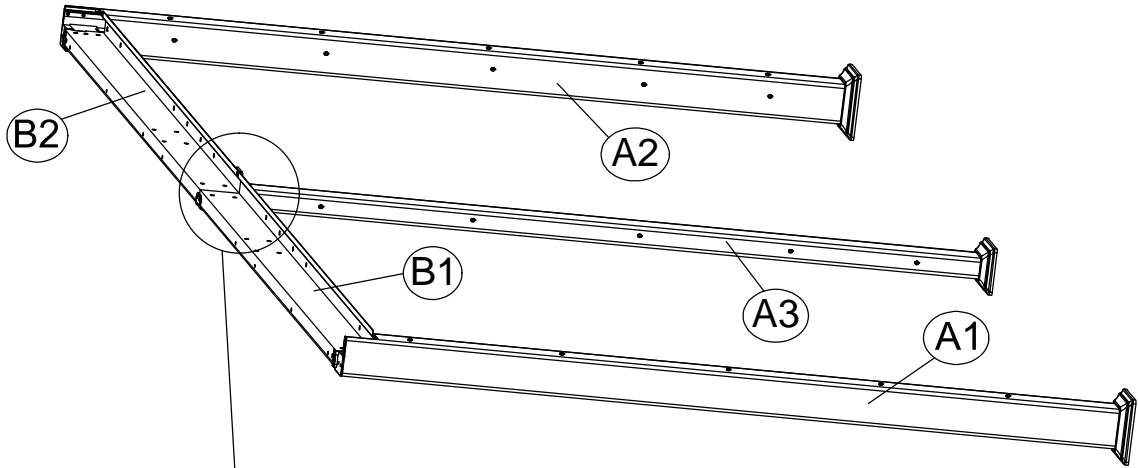


STEP 05

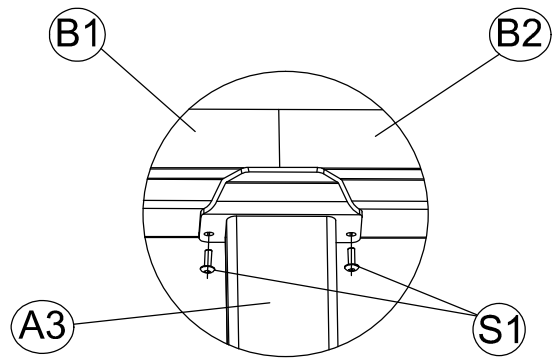


	M8*20	(2X)	S2
---	-------	------	----

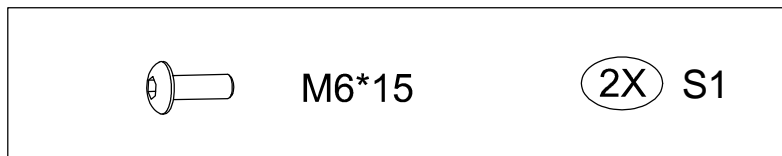
STEP 06



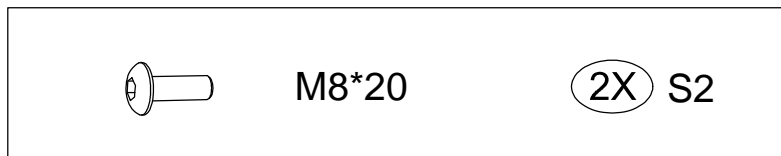
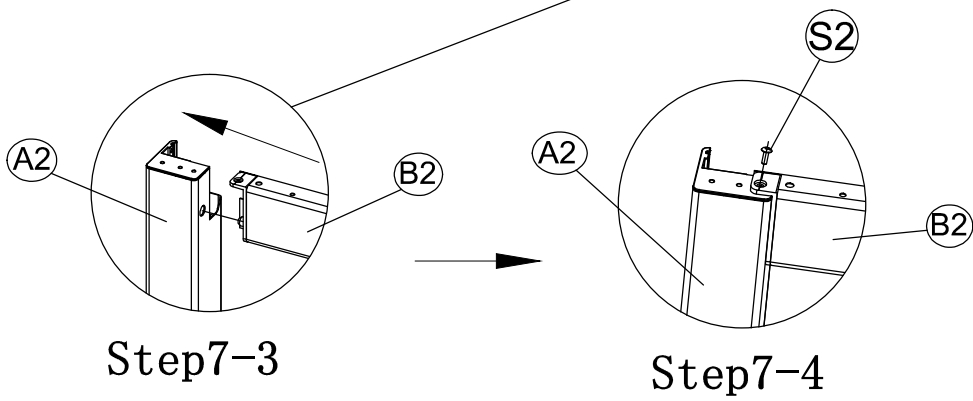
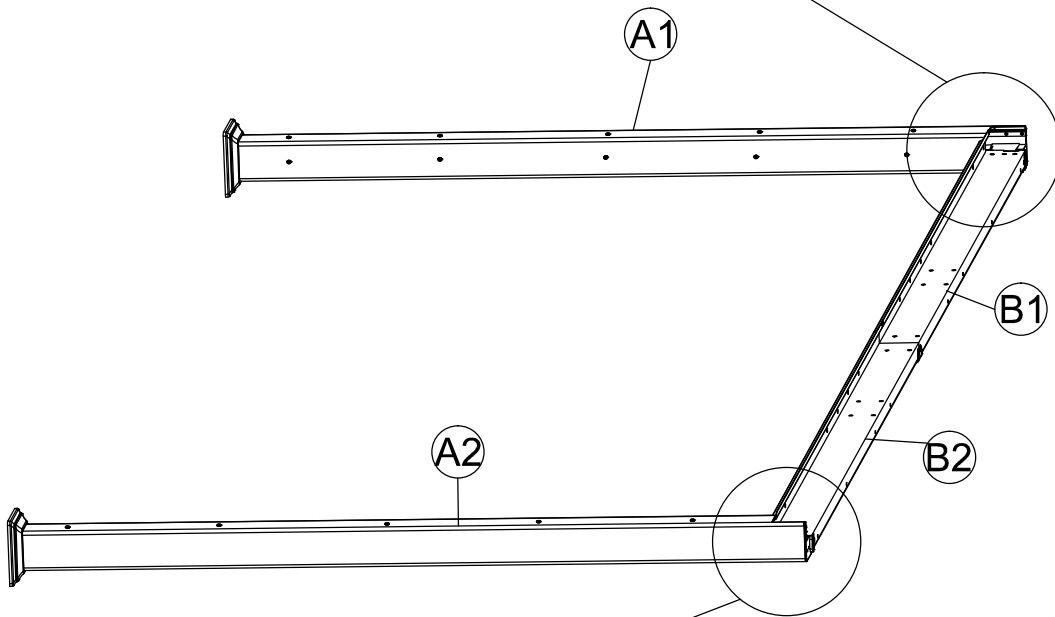
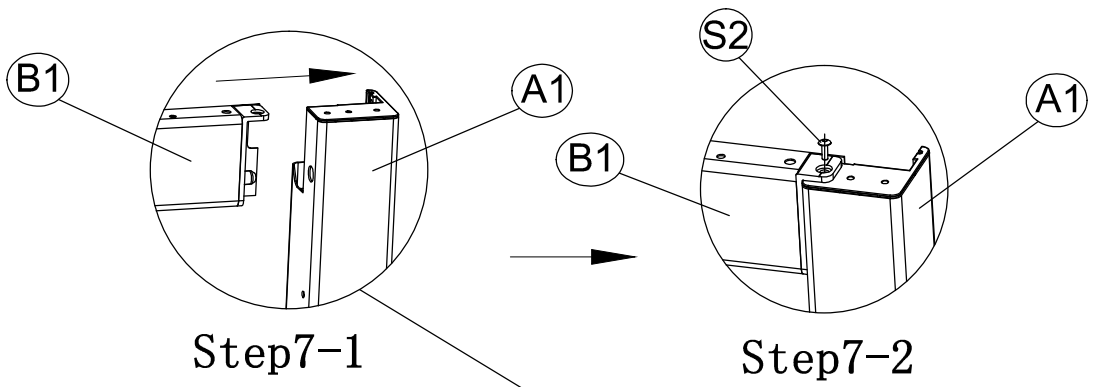
Step6-1



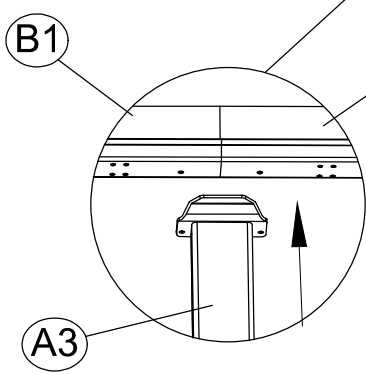
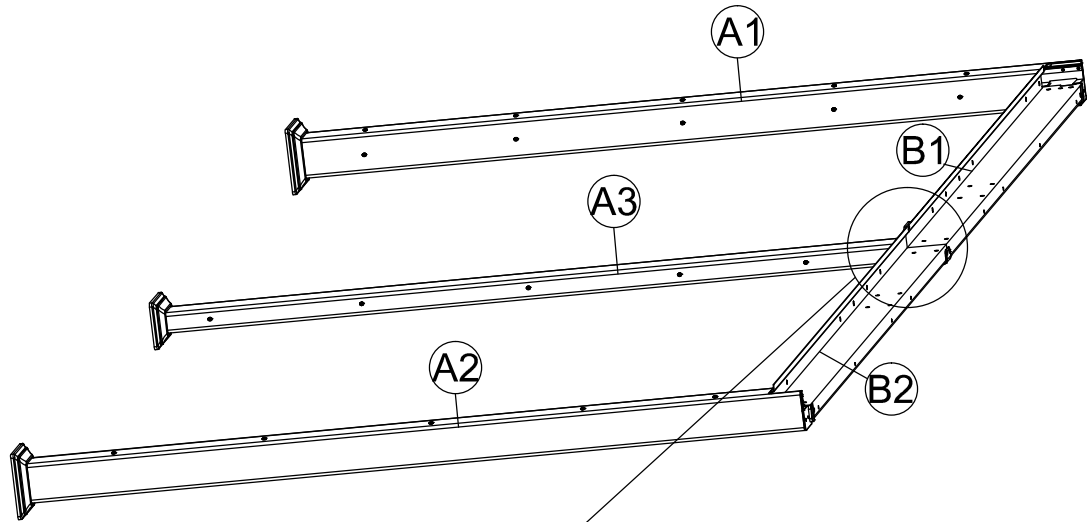
Step6-2



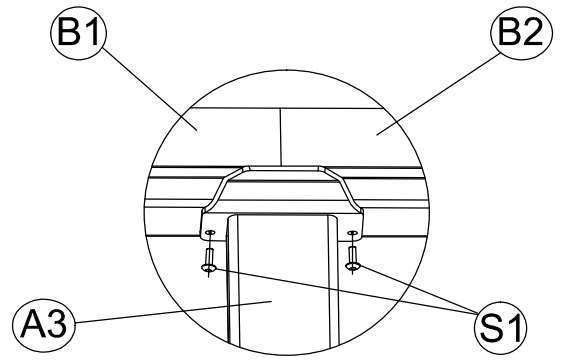
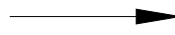
STEP 07



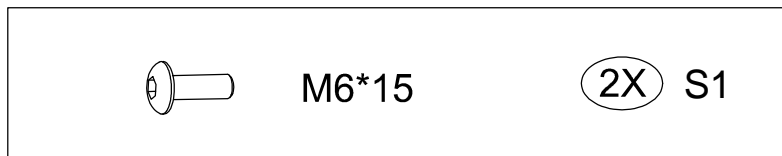
STEP 08



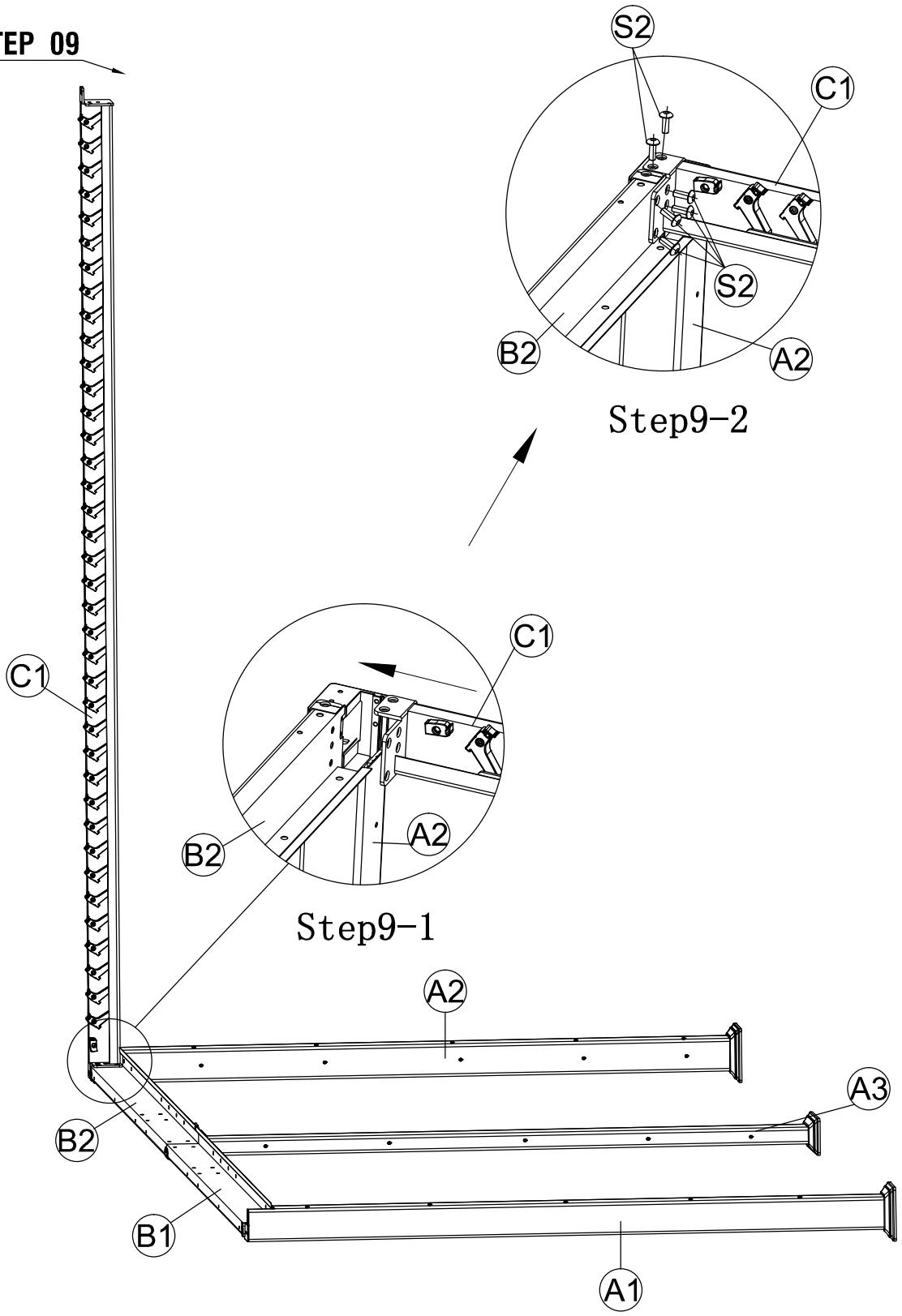
Step8-1



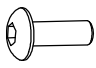


Step8-2

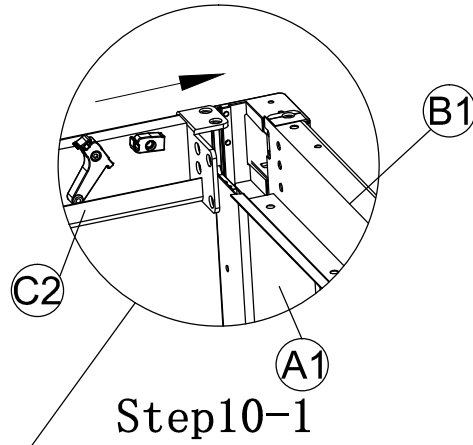
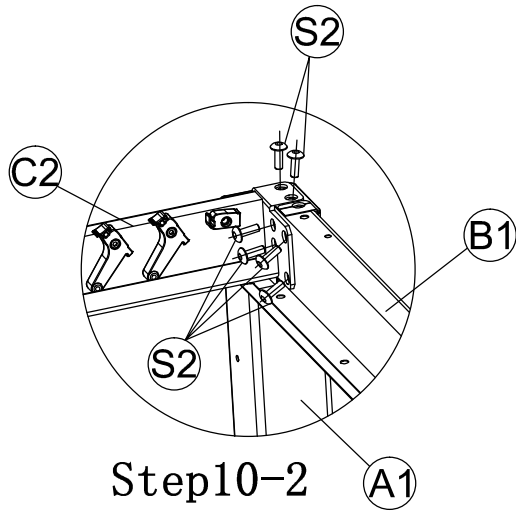
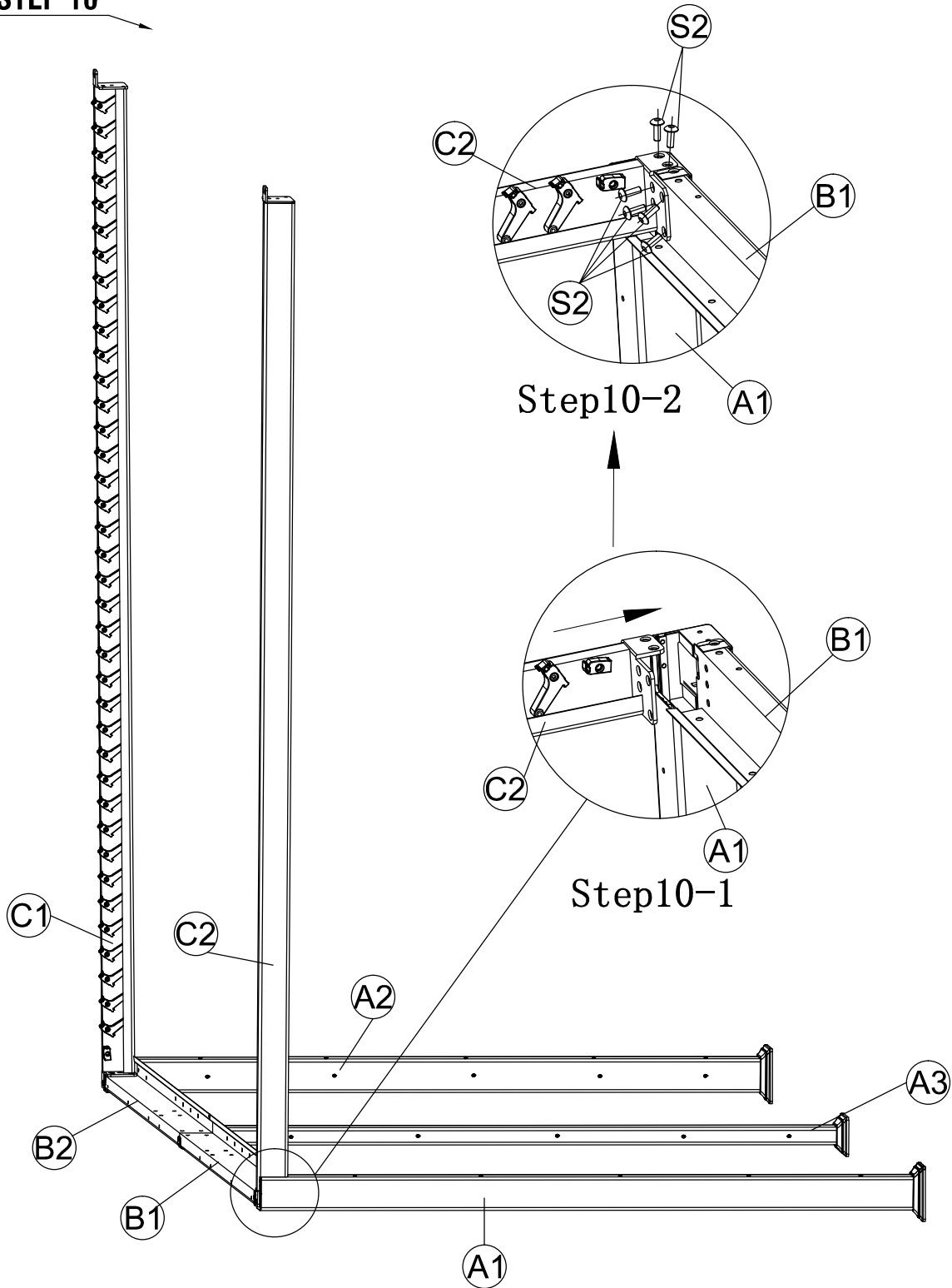




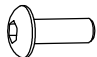
STEP 09



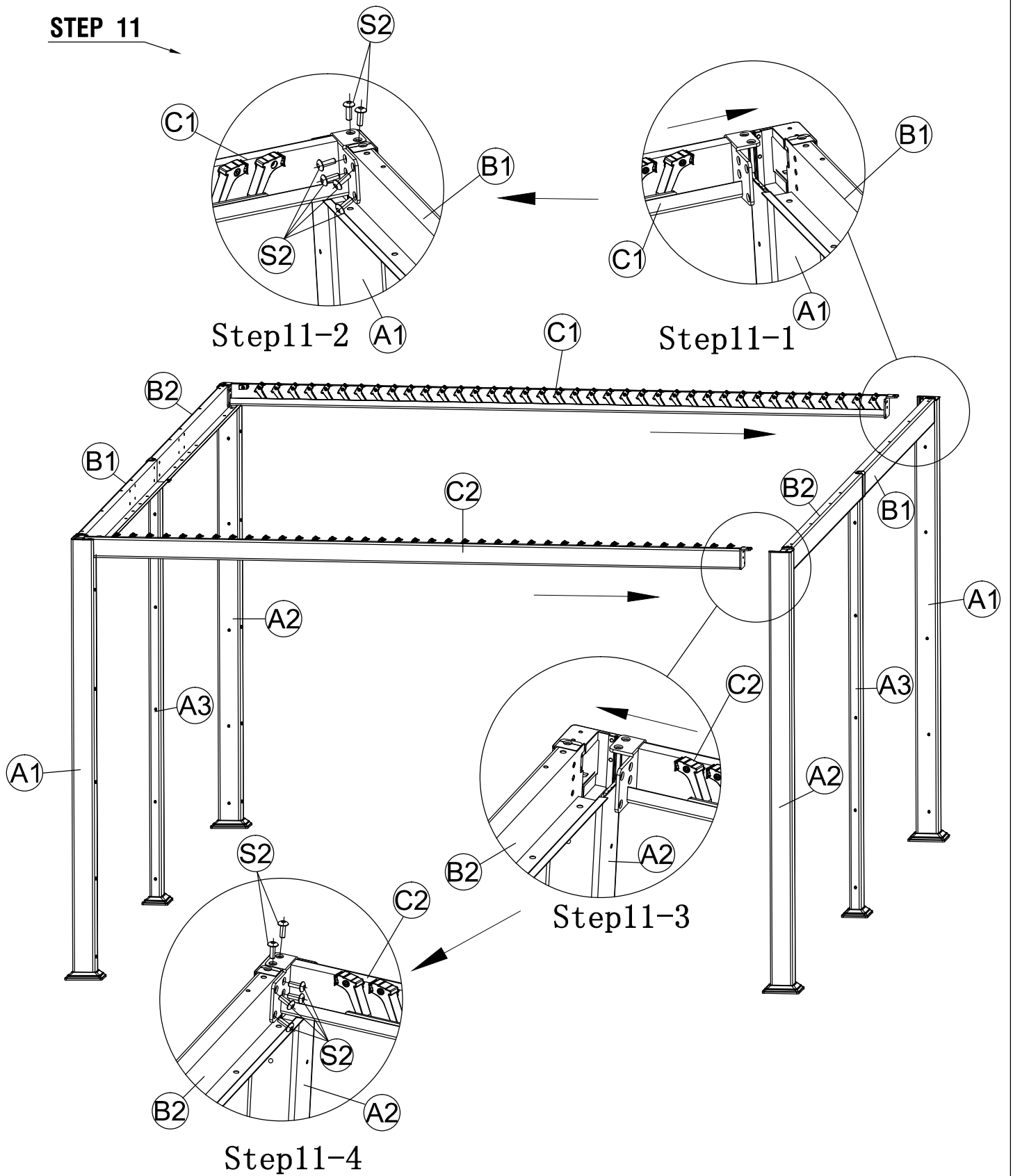
		1X C1
	M8*20	6X S2


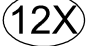
STEP 10



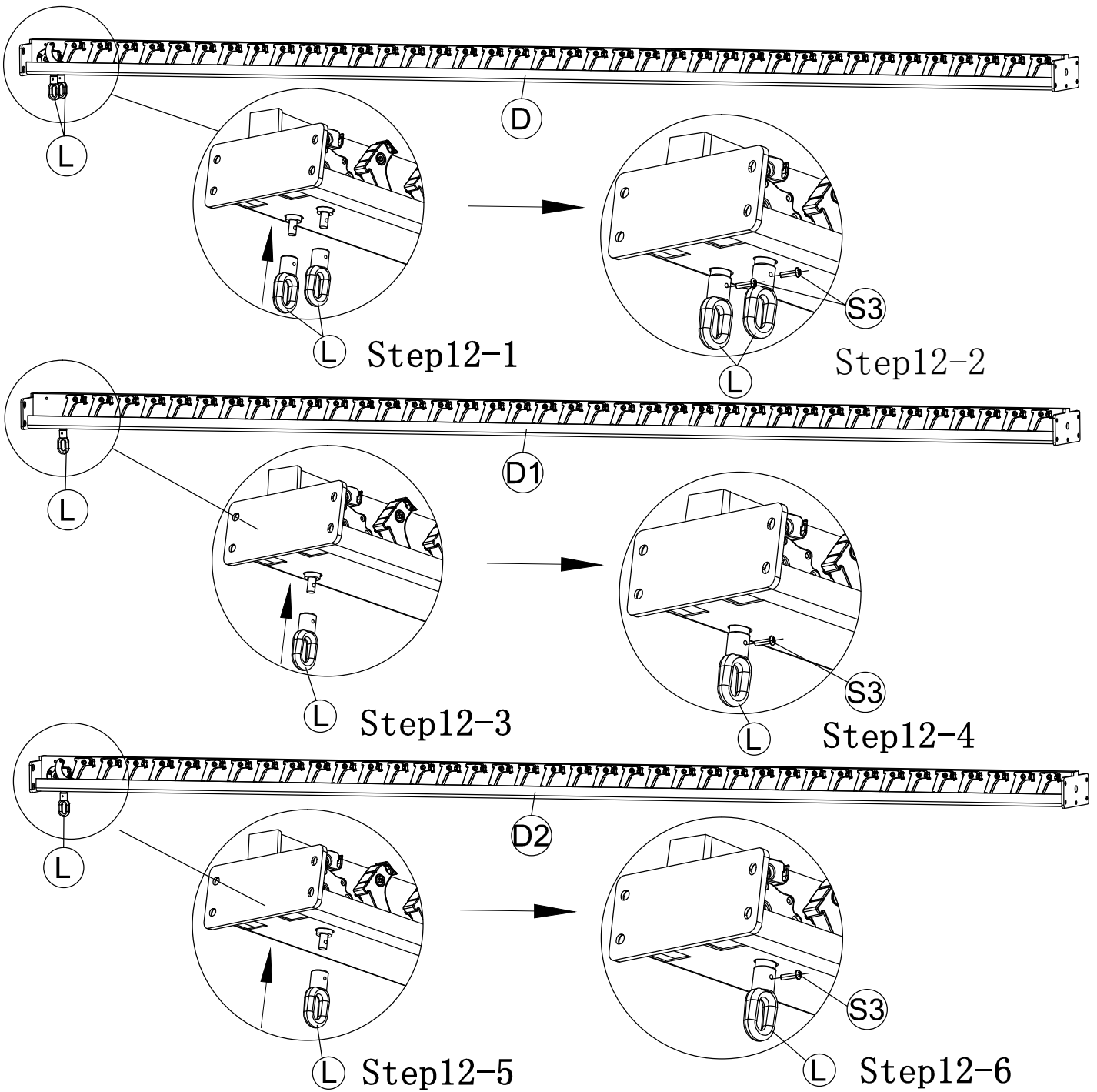
		(1X) C2
	M8*20	(6X) S2

STEP 11



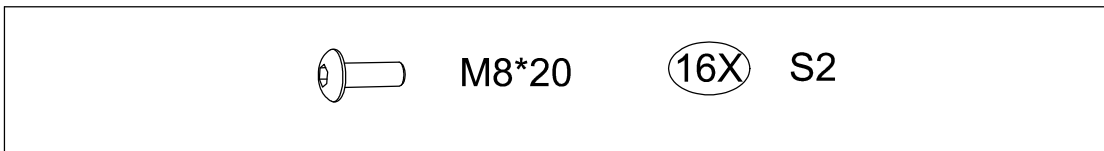
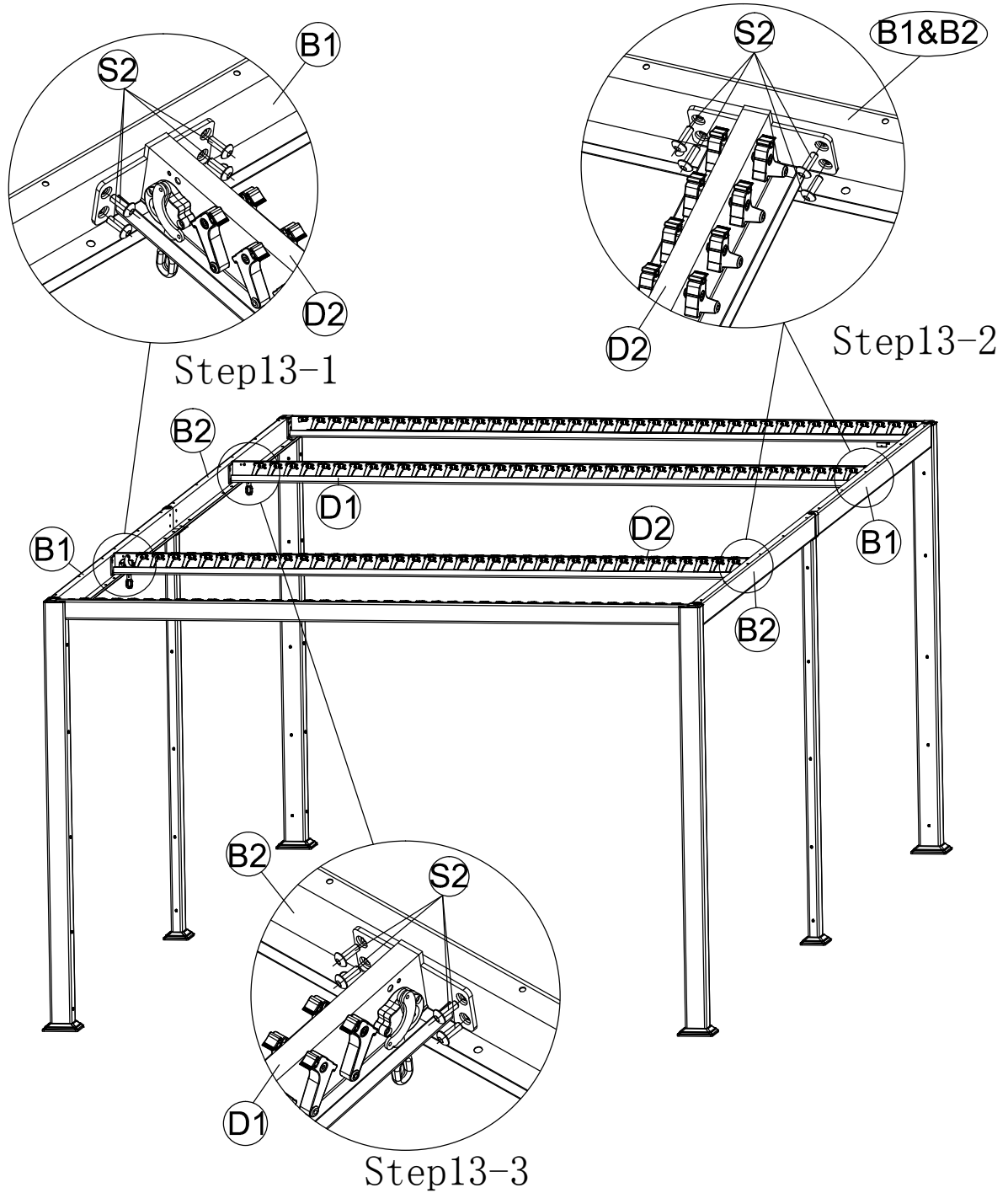
	M8*20		S2
---	-------	--	----

STEP 12

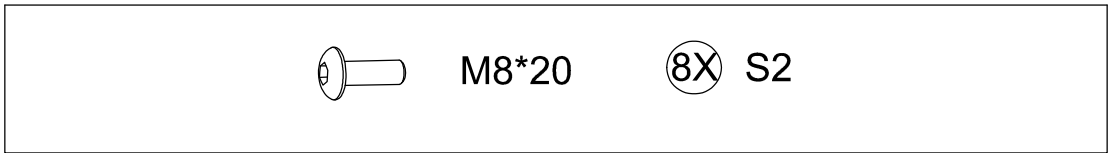
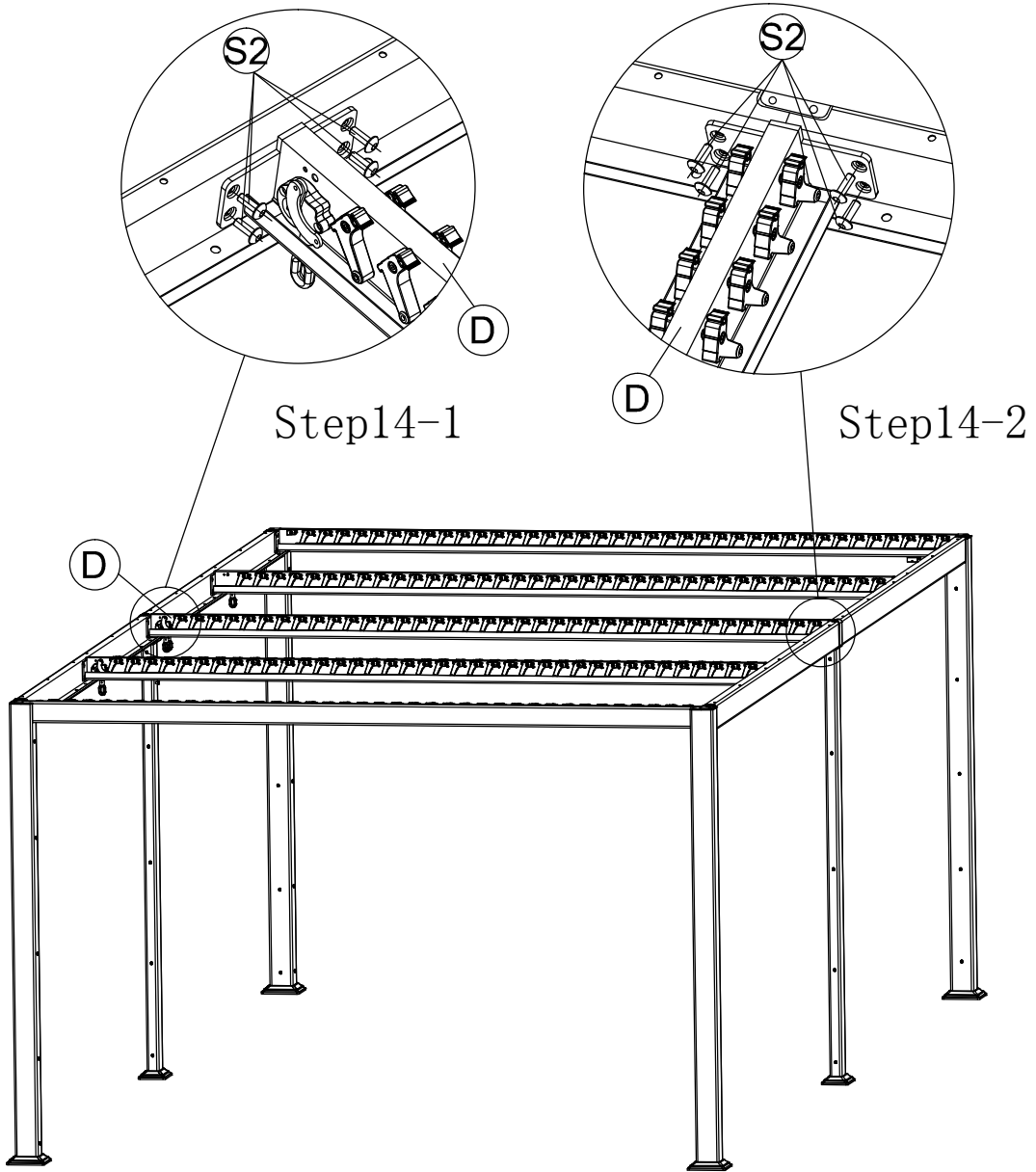


		(1X)	D
		(1X)	D1
		(1X)	D2
	(4X)	L	
	M4*18	(4X)	S3

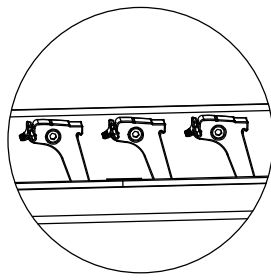
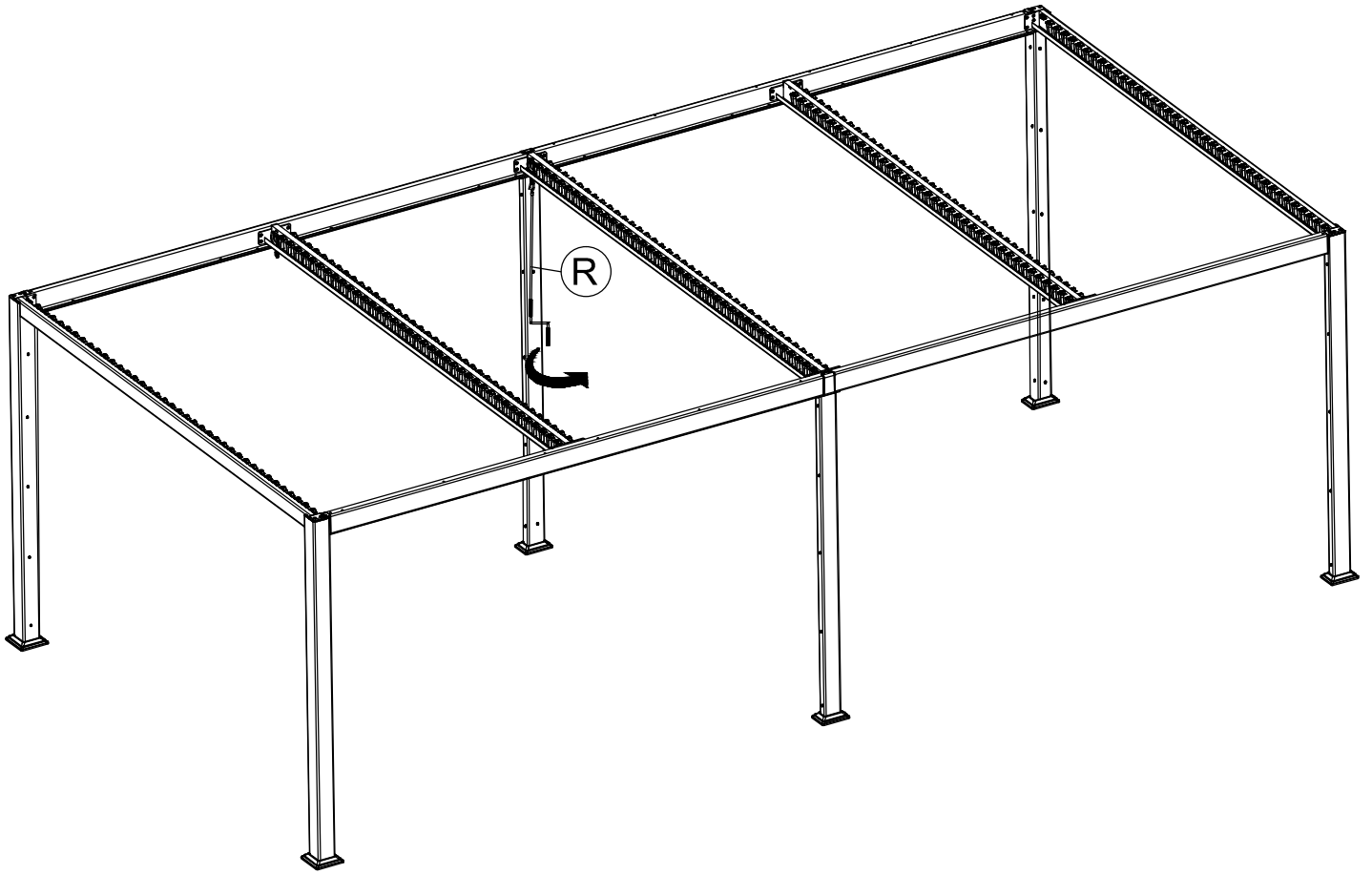
STEP 13



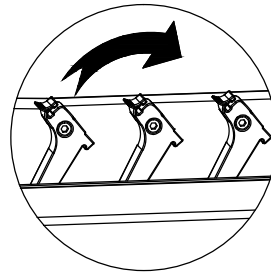
STEP 14



STEP 15



1



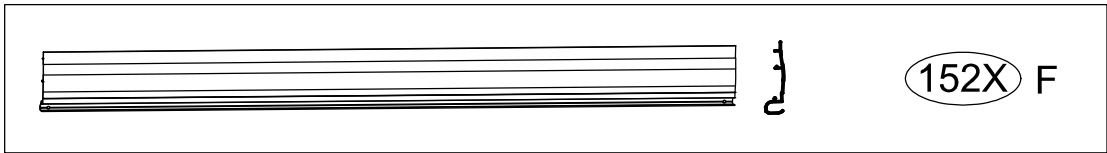
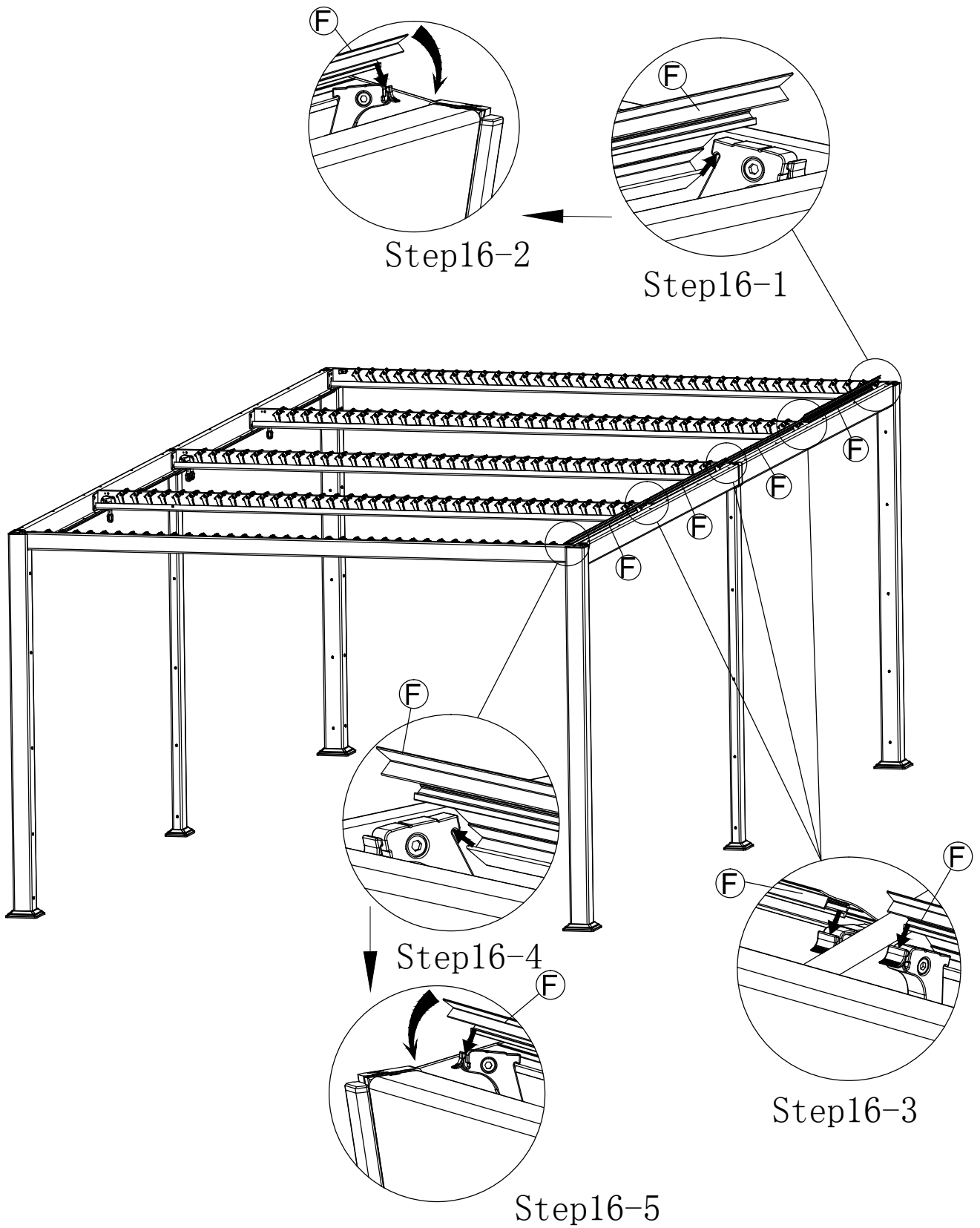
2

Turn the position from picture 1 to picture 2 first, then assemble the shutter.

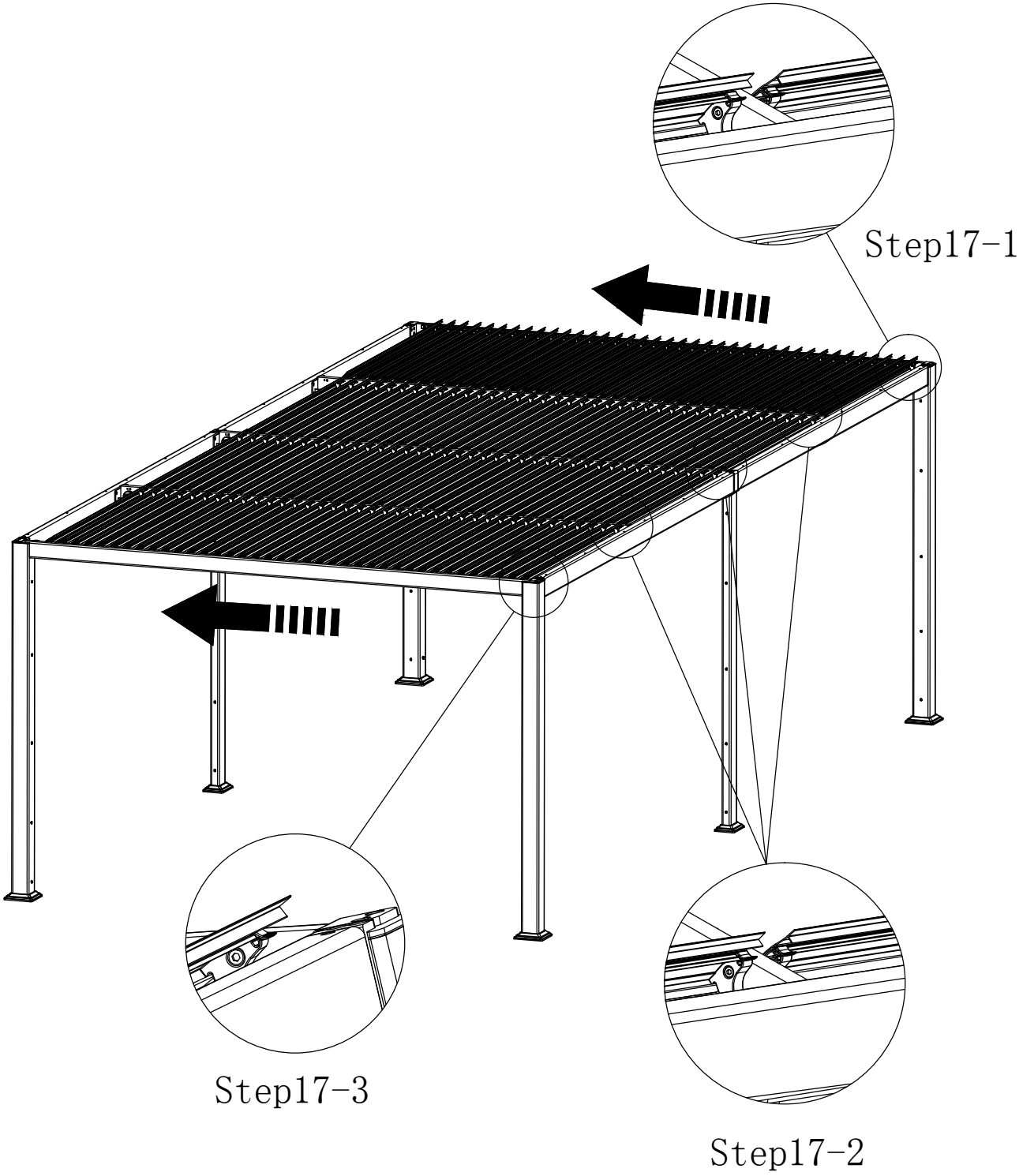


1X R

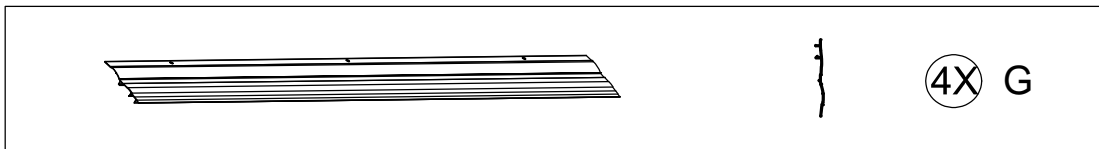
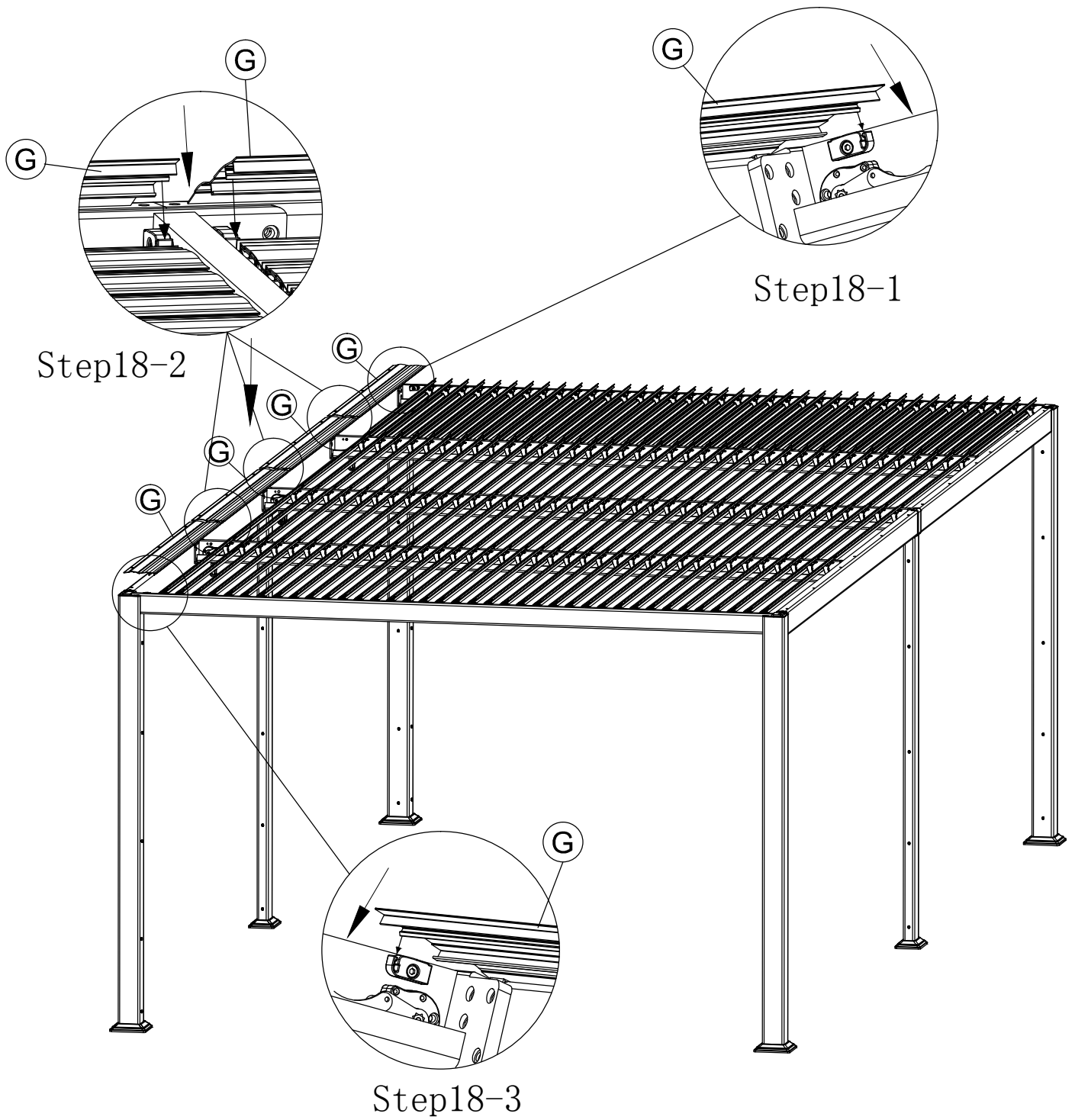
STEP 16



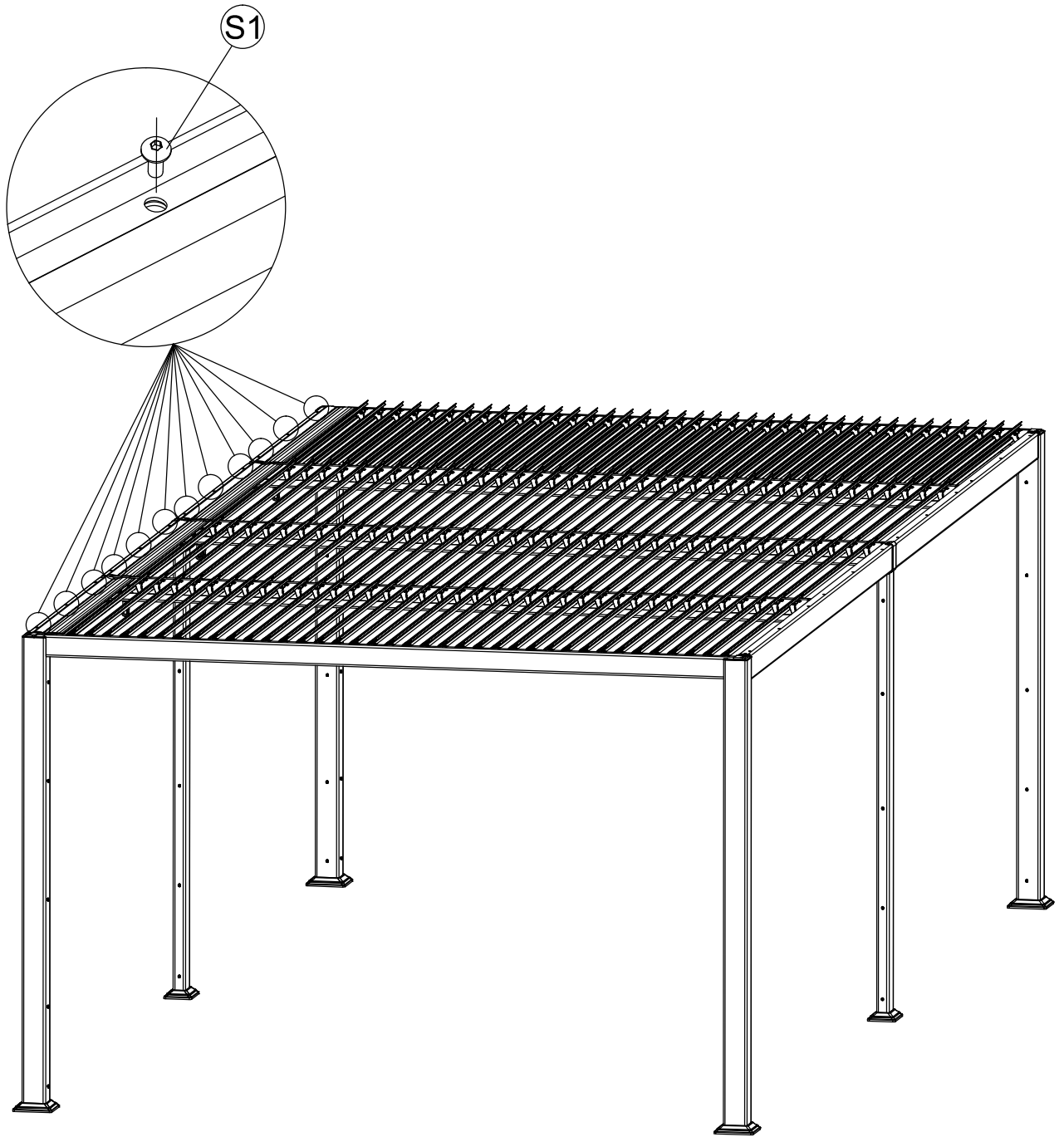
STEP 17




STEP 18

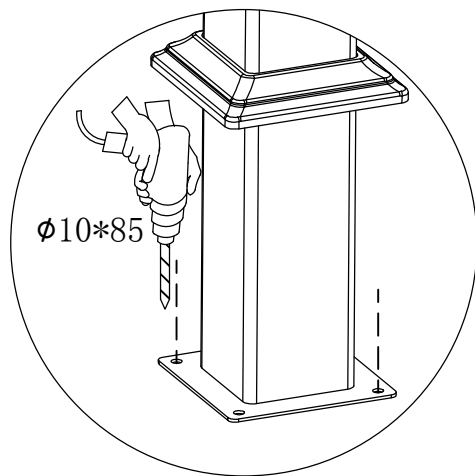
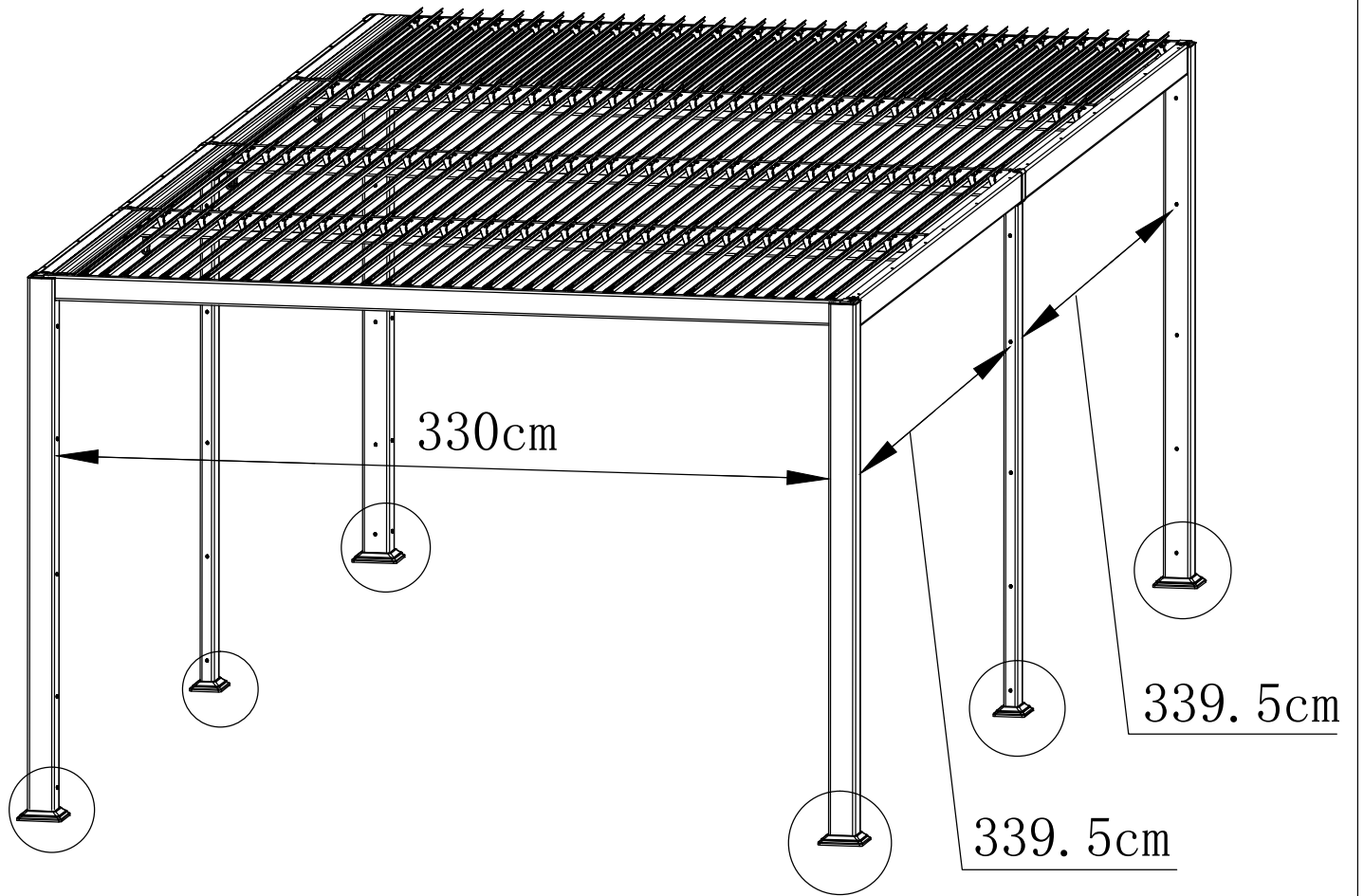


STEP 19



	M6*15	(12X) S1
---	-------	----------

STEP 20



STEP 21

