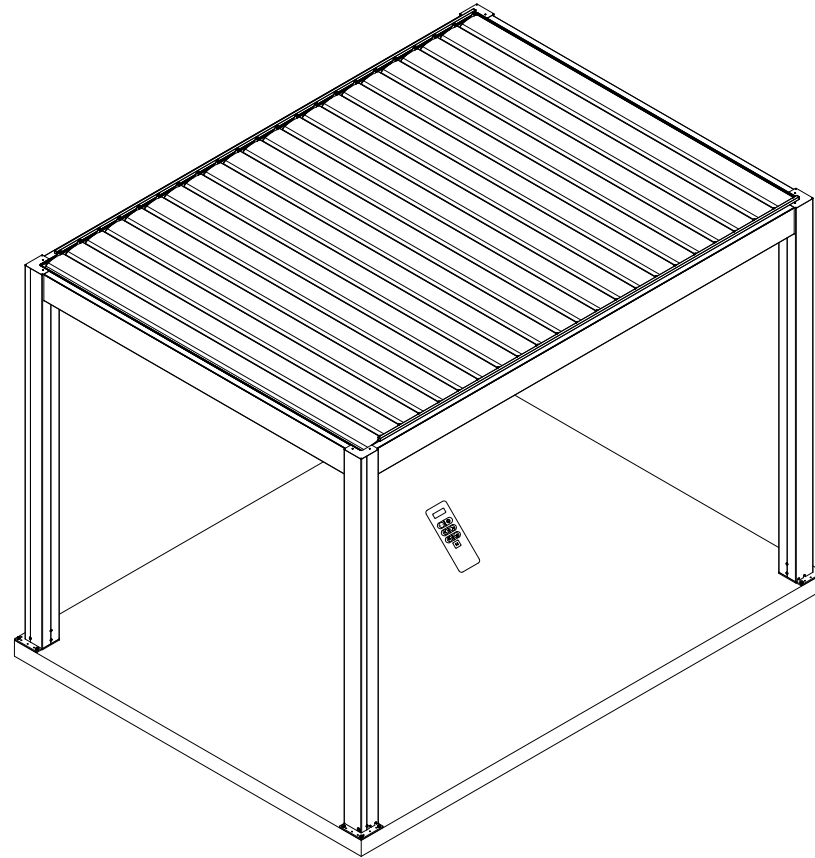


OWNER'S MANUAL



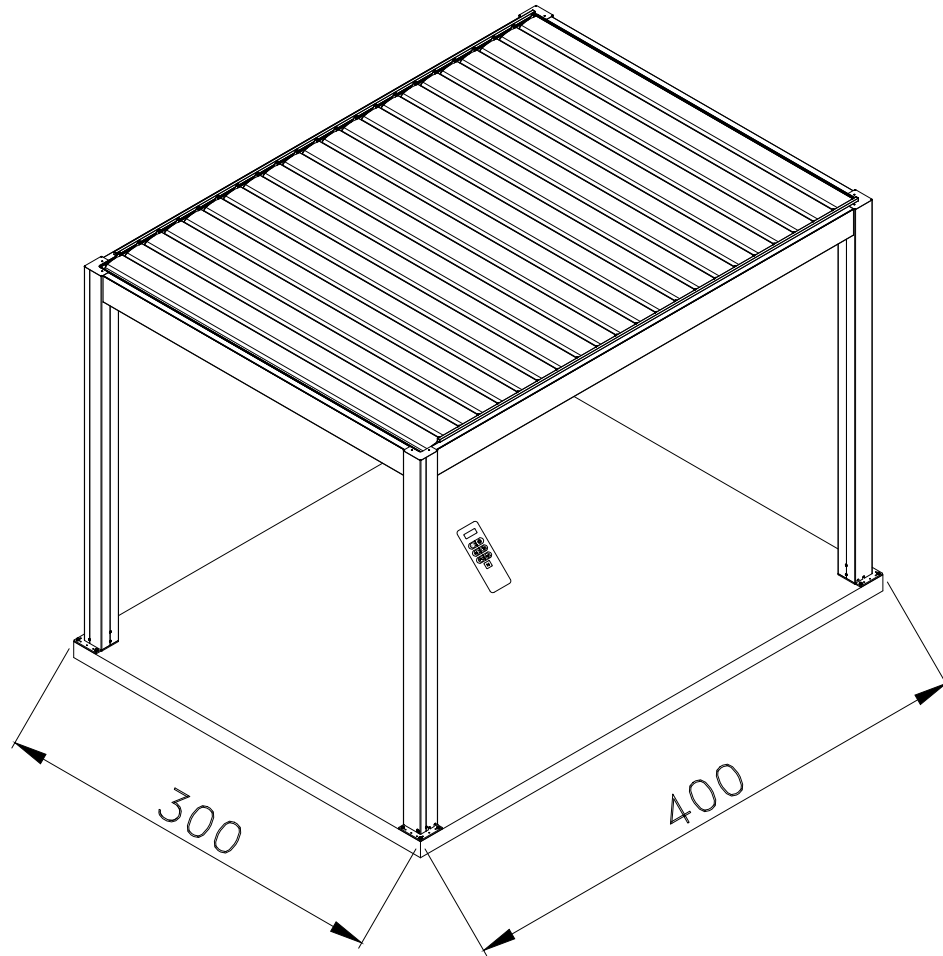
Pergola 300 x 400cm

Please read this manual before using your pergola for the first time.
Please keep this manual for future reference.

Pergola

Opening: Electric

Size: 300 (Length) x 400 (Width) - cm



Installation Notes:

1. Installation requires a minimum of three people: one for measurement and marking, one for installation and one as an assistant.
2. Only concrete floor fasteners are provided. In the case where there is no concrete slab on the ground, it is recommended to make concrete slabs at each column. The concrete slab should be a minimum of 500x500x50mm.
3. After the Pergola frame is assembled, use a square, level and ruler to measure the product level and diagonal to ensure the size of the pergola.
4. Power tools are required: make sure they work properly and follow the safety instructions.
5. Be careful when using sharp tools.
6. Wear protective clothing including safety glasses, helmets and gloves.
7. Don't climb or stand on the roof.

Safety Warning

It is highly recommended to wear gloves for assembly.
Do not install pergola during bad weather conditions, such as wind or rain.
Do not touch any wires with aluminum profiles.
Always wear protective shoes and glasses when installing pergola.
Keep all plastic bags out of the reach of children.
The pergola column must be positioned and fixed on a flat surface.
Do not lean on the column during the assembly phase.
Do not let children approach the scene during the assembly phase.
Don't be near pergola in a storm or typhoon.
Do not try to climb pergola under the influence of alcohol or drugs.
When using ladders or similar tools and power tools during the assembly phase, be sure to follow the manufacturer's safety recommendations.
Any hot tool, such as an electric drill, cannot be in contact with the pergola profile.
Make sure there are no cables or other cables hidden underground before positioning the column.

General Advice

This pergola has several components and it takes at least 90 minutes to assemble. The pergola should not be positioned under a tree.
If you connect the column directly to cement or a similar base, use the pre-punched holes on the supplied base.
Check the number of profiles and fittings before assembly and use them according to the list of profile fittings for easy assembly.
Put small pieces such as screws into a container to avoid loss.
Please pay attention to the position of the transmission on the beam to avoid misplacement.
Regularly clean leaves, snow or other objects off the pergola.

Maintenance and Repair

To clean pergola, use a mild detergent and rinse with water. Do not use acetone or abrasive cleaning products to clean the surface of the aluminum profile.

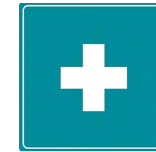
Warranty

The general warranty for discoloration is 5 years, for the motor and the LED lighting 2 years.

Protection and Installation Tools

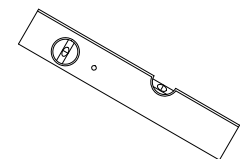
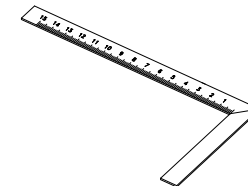
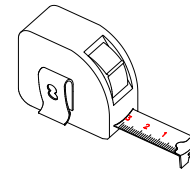
Protective Equipments:

1. Helmet
2. Gloves
3. Emergency first-aid kit
4. Protective glasses



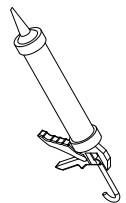
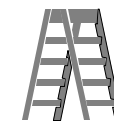
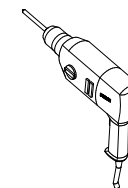
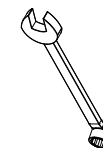
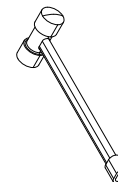
Measuring Instrument:

1. Tape measure (5 metres or more)
2. Square ruler
3. Level

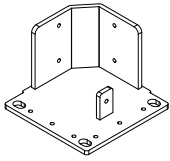
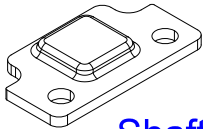
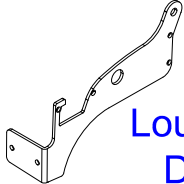
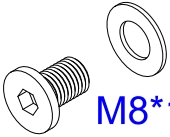

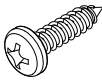
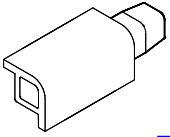
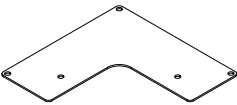
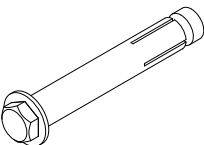
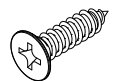
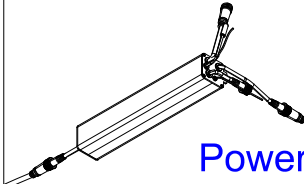
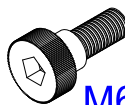
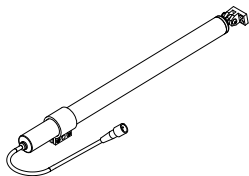
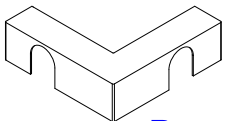


Tools:

1. 2 metre ladder (1.5 metres or more)
2. 13mm hex wrench
3. 17mm hex wrench
4. Electric drill
5. Electric drill bit (10 mm drill bit)
6. Marker or pencil
7. Rubber hammer
8. Sealant and glue gun

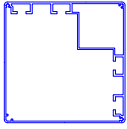
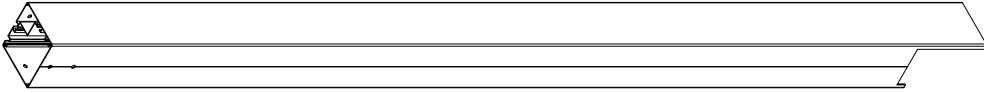
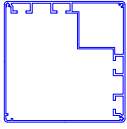
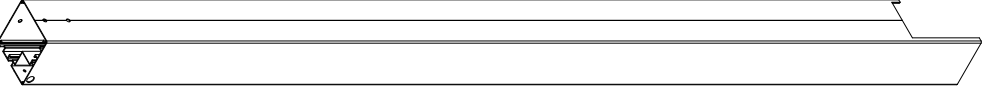
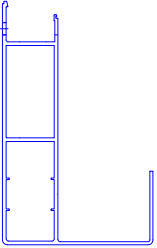
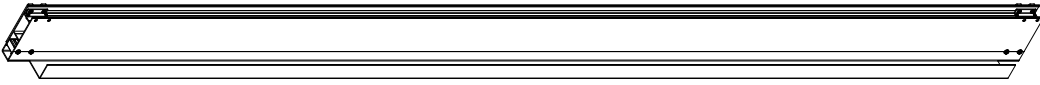




Accessories & Screws List

①		x 4 Base Plate	⑦		x 44 Shaft Holder Gland	⑬		x 1 Louver Blade with Driven End Cap
②		x 20 M8*16 Hex Screws (With Washer)	⑧		x 88 M4*14 stainless steel cross plate head screws	⑭		x 4 4*20 Flat Head Screw
③		x 4 Post Corner Extension Piece	⑨		x 4 Post Cover Profile	⑮		
④		x 12 M10*100 Anchor Bolt	⑩		x 12 4.2*16 Flat Head Screw	⑯		
⑤		x 1 Power Controller	⑪		x 44 M6*5 Hand-tightened Glue Head Screws	⑰		
⑥		x 1 Motor	⑫		x 4 Base Plate Cover	⑱		


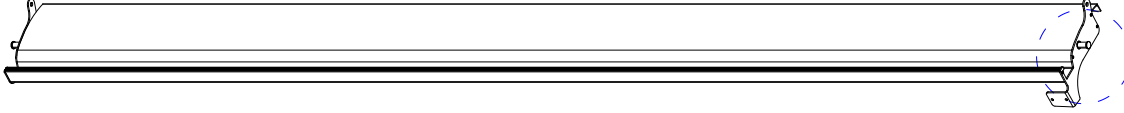

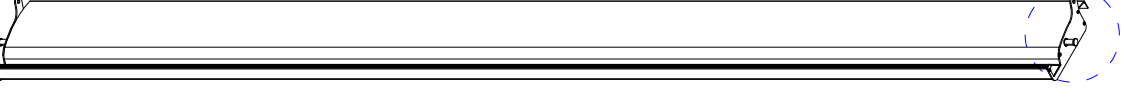



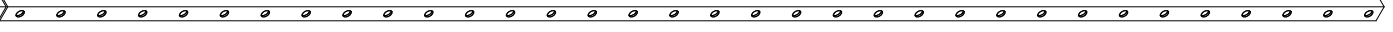


Profile Accessories List

Profile

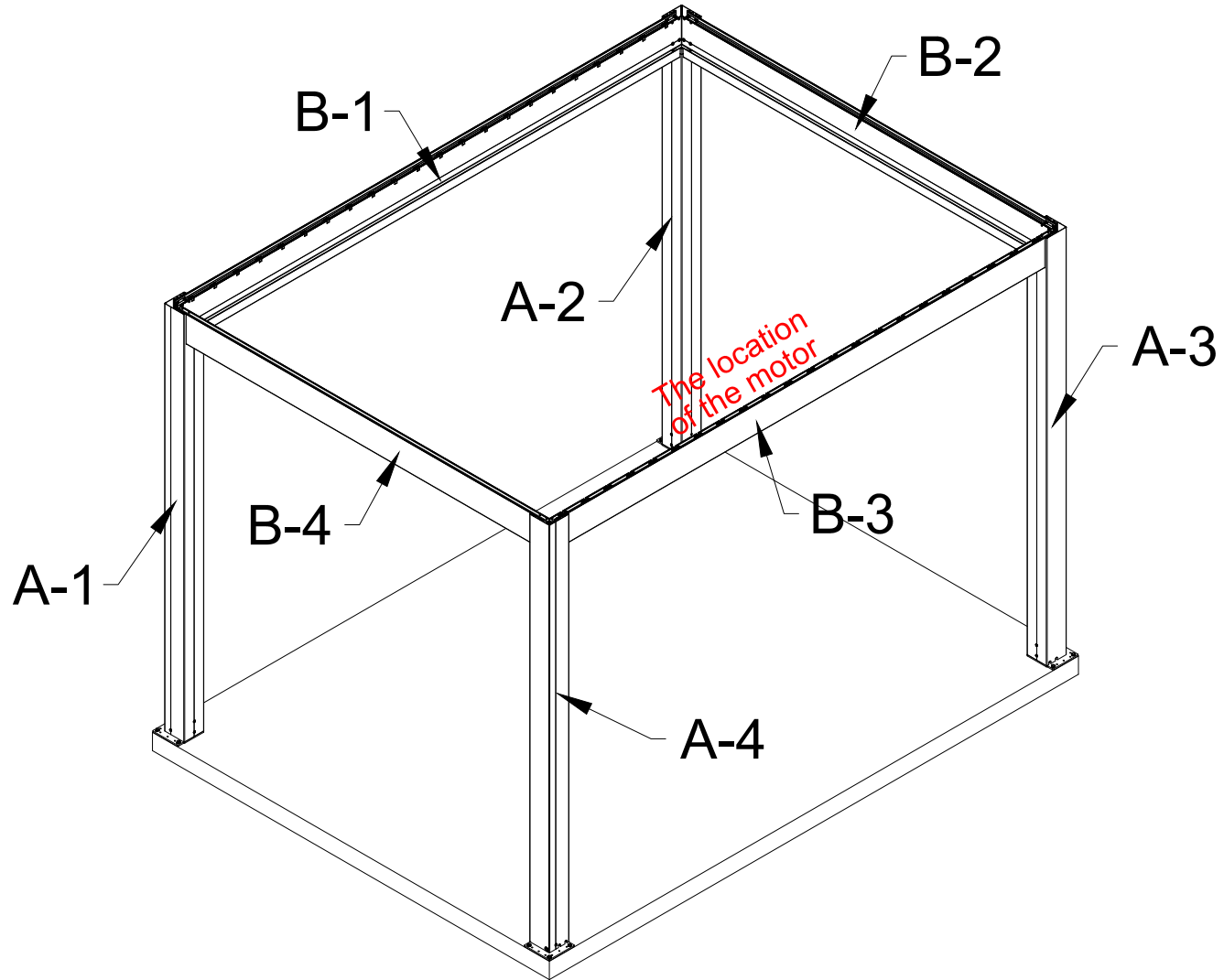
<p>A-1 ~ A-3</p>			<p>x 3 Post</p>
<p>A-4</p>			<p>x 1 Post</p>
<p>B-2 B-4</p>			<p>x 2 Beam & Gutter</p>
<p>B-3</p>			<p>x 1 Beam & Gutter(with shaft holder) + Motor</p>
<p>B-1</p>			<p>x 1 Beam & Gutter(with shaft holder)</p>

Profile Accessories List

Profile



C-1			<p style="text-align: right;">x 1 Louver Blade with Driven</p>
C-2			<p style="text-align: right;">x 17 Louver Blade</p>
C-3			<p style="text-align: right;">x 4 Louver Blade with Led Strip Light</p>
D			<p style="text-align: right;">x 2 Control Rod</p>
E			<p style="text-align: right;">x 4 Gutter Top Cap</p>

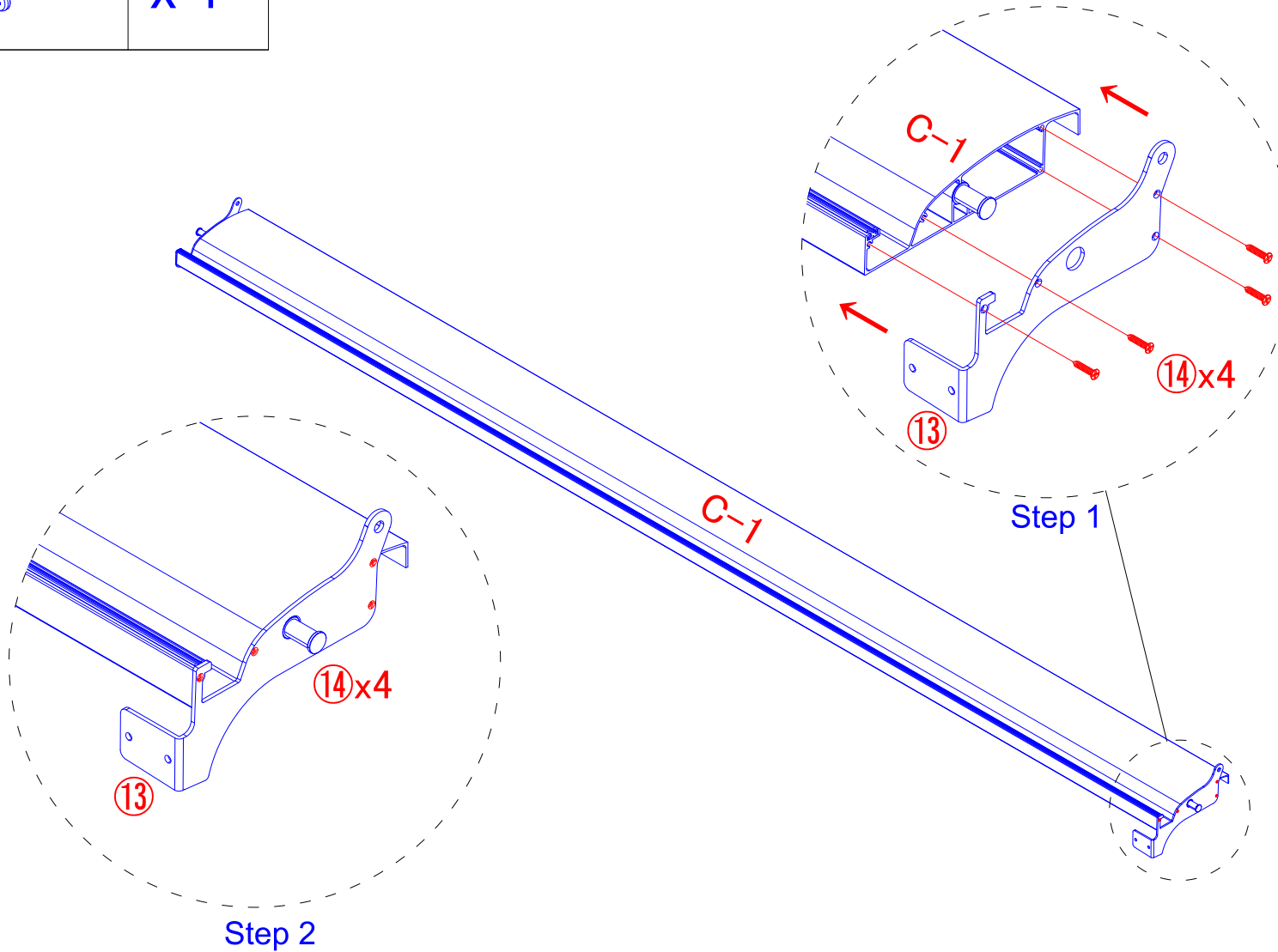
Aluminum Profiles Lay Out Drawing

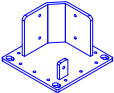
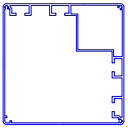
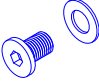


Installing Louver Blade with Driven

1) As shown, fixed the Louver Blade with Driven End Cap ⑬ on the Louver Blade with Driven C-1 with 4*20 Flat Head Screw ⑭.

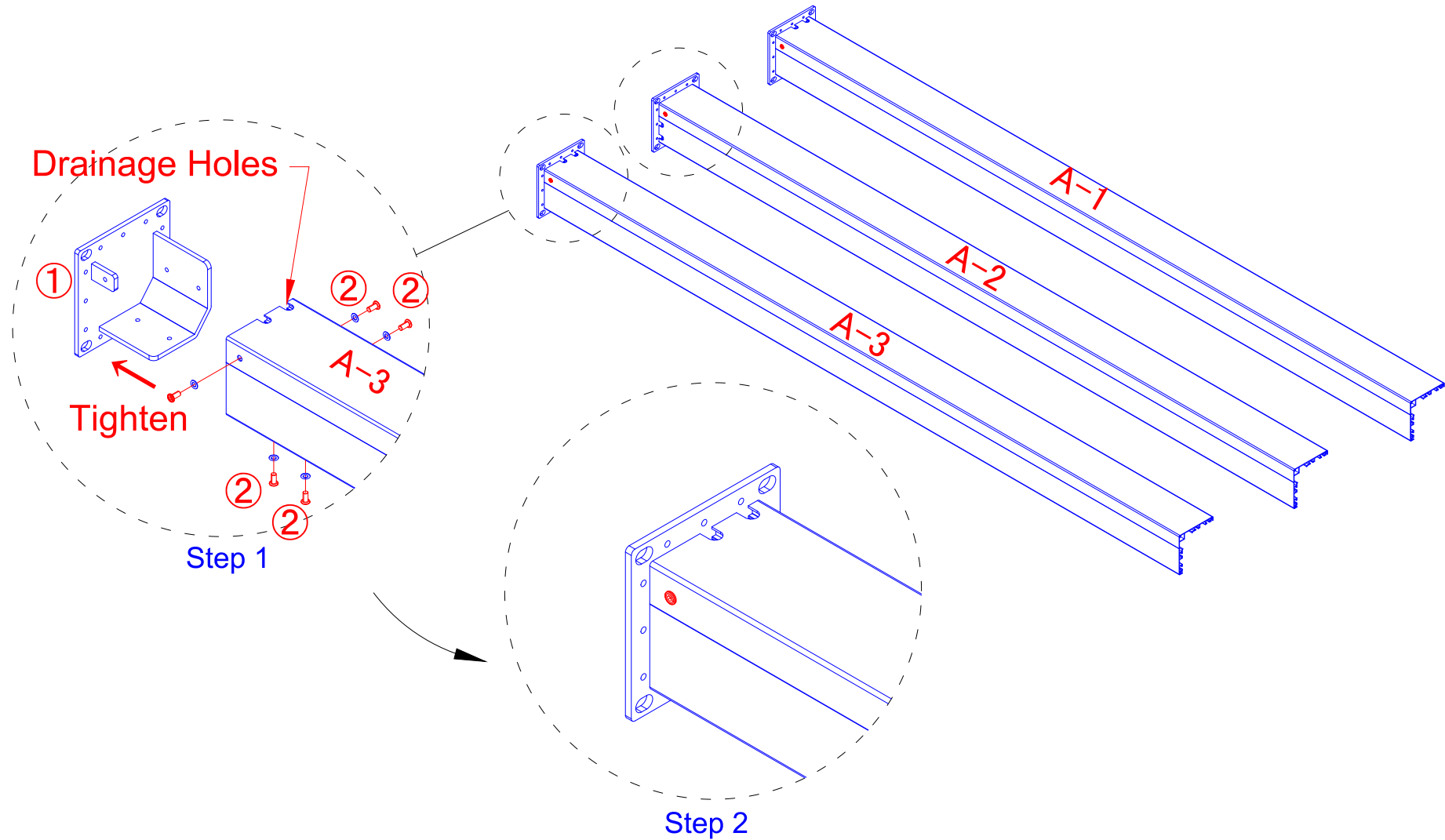
⑬		x 1
⑭		x 4

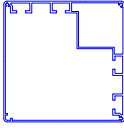
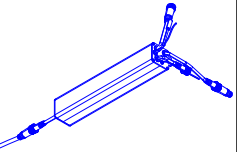
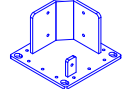
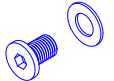


①		x 3	A-1 ~ A-3		x 3
②		x15			

Assemble the Framework

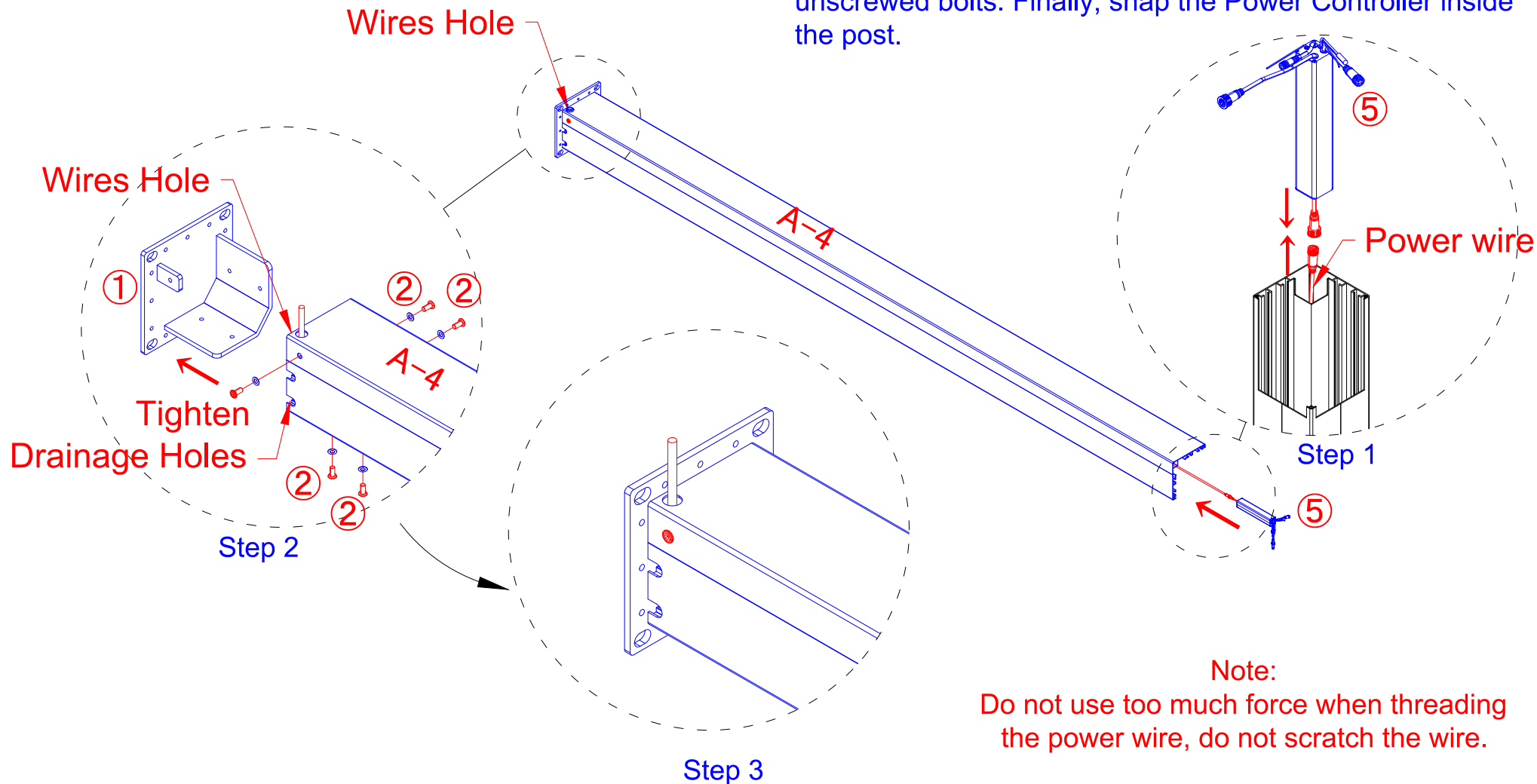
1) As shown, align the holes in the base plate ① with the holes in the posts and lock the base plate ① to the posts with the M8*16 Hex Screws (With Washer) ②.



A-4		x 1	⑤		x 1
①		x 1	②		x 5

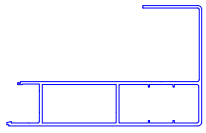
Assemble the Framework

2) As shown, first, it is necessary to connect the power wire with the Power Controller. Then slide the power wire from the top of the post into the curved cavity on the inside of the post and pull it out from the bottom. Unscrew the bolts pre-installed on the bottom of the Post A-4, align the base plate ①, and lock the base plate ① to the post with the unscrewed bolts. Finally, snap the Power Controller inside the post.



Note:
Do not use too much force when threading the power wire, do not scratch the wire.

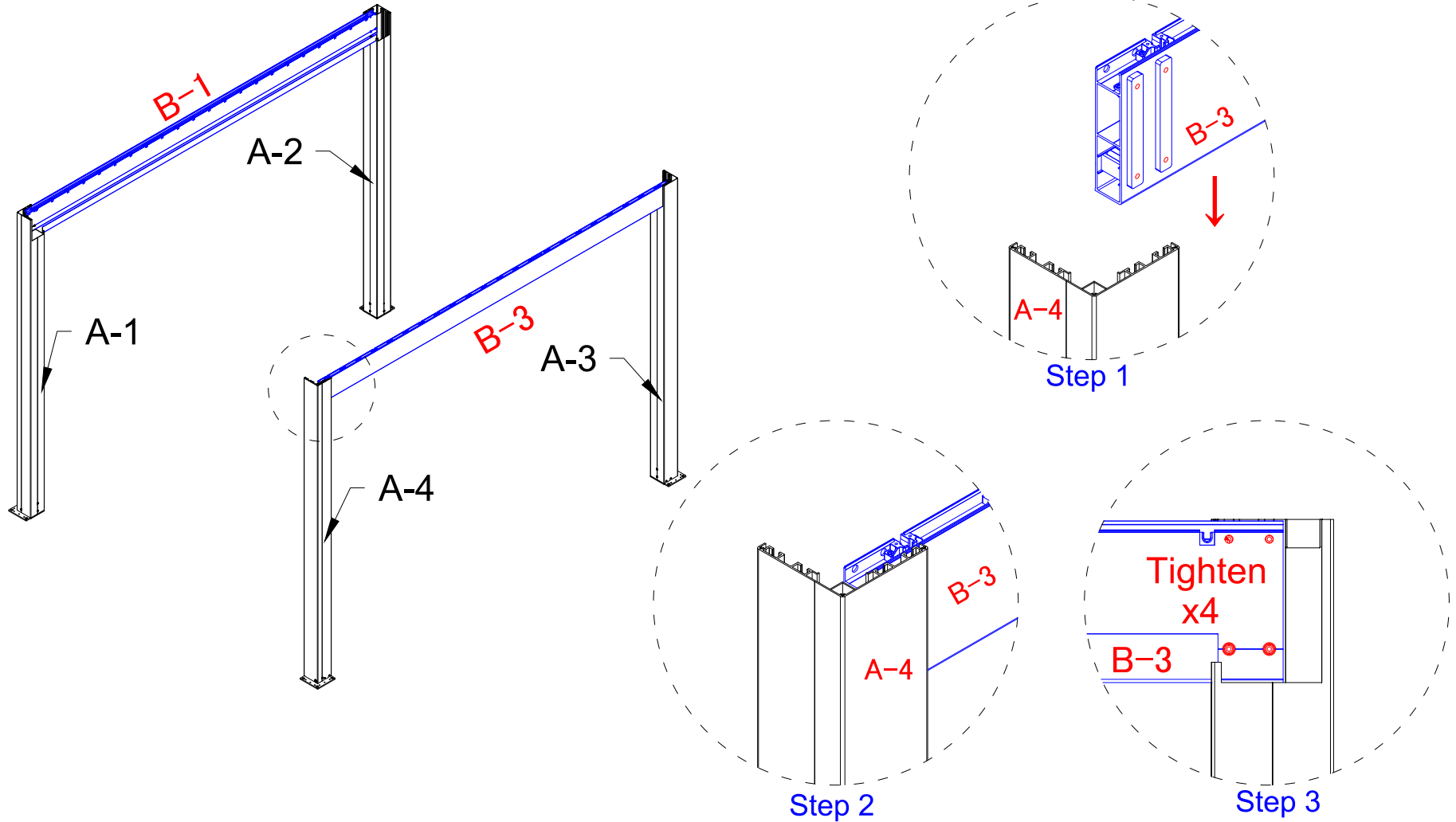
B-1
B-3

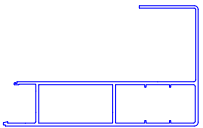
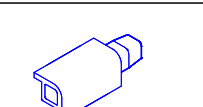
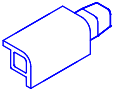


x 2

Assemble the Framework

3) As shown, unscrew the bolts pre-installed on the top of the Post (A-1, A-2, A-3, A-4), then fix the beam (B-1, B-3) on the two posts (insert the connectors at both ends of the beam into the grooves of the two posts respectively). and tighten the bolts on the beam.

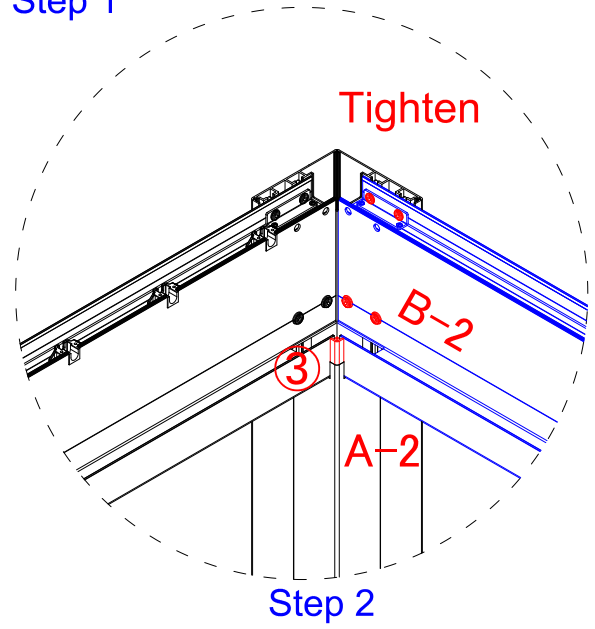
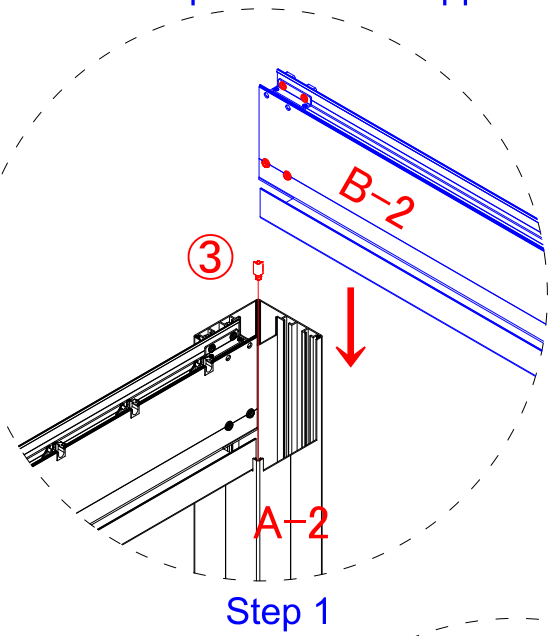
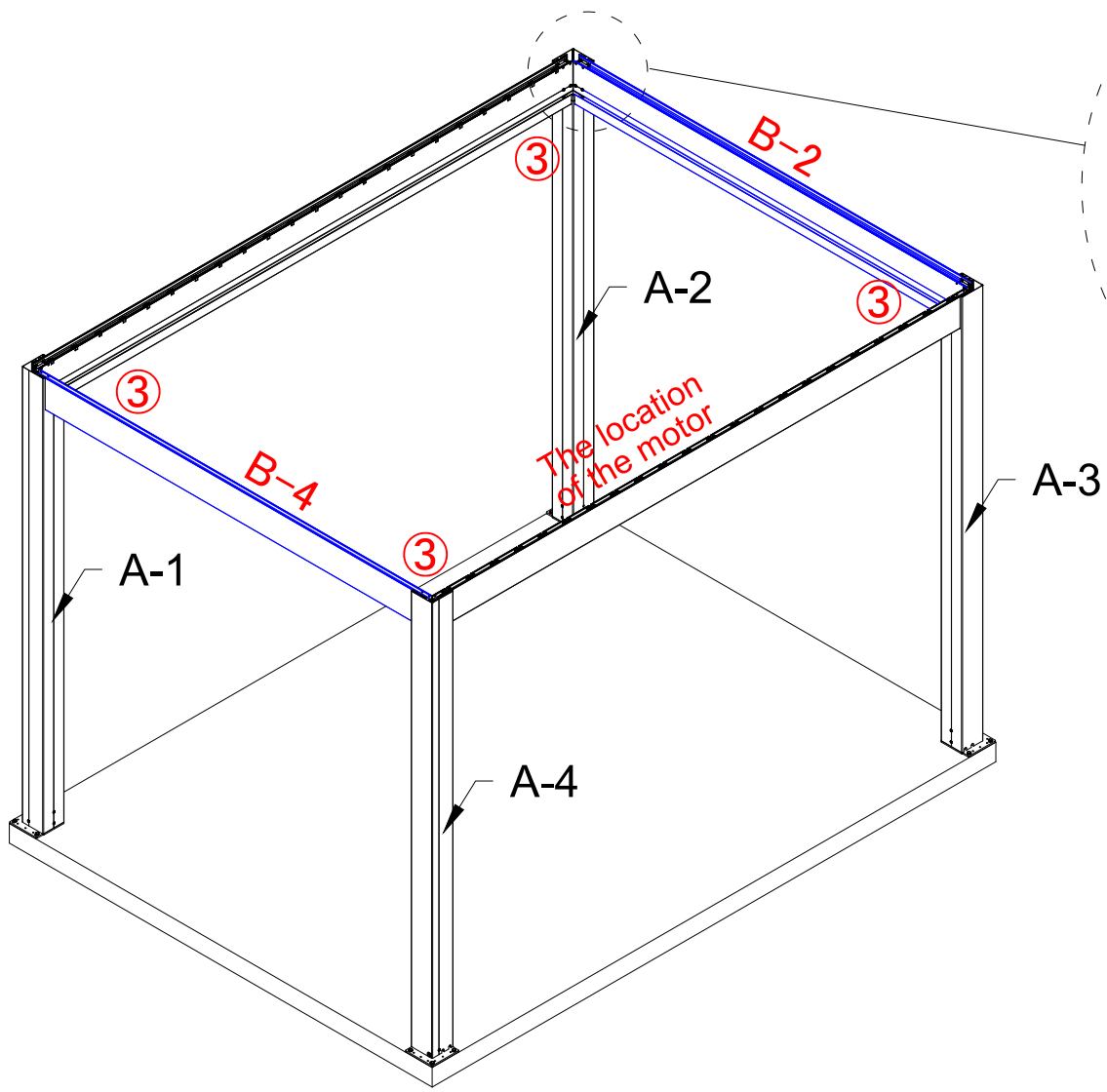


B-2		x 2
B-4		x 2
③		x 4

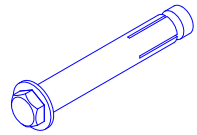
Assemble the Framework

4) As shown, fix the beam with hook (B-2, B-4) on the two posts (insert the connectors at both ends of the beam into the grooves of the two posts respectively).

5) As shown, pls slide the post corner extension piece into the upper of the post corner.



④



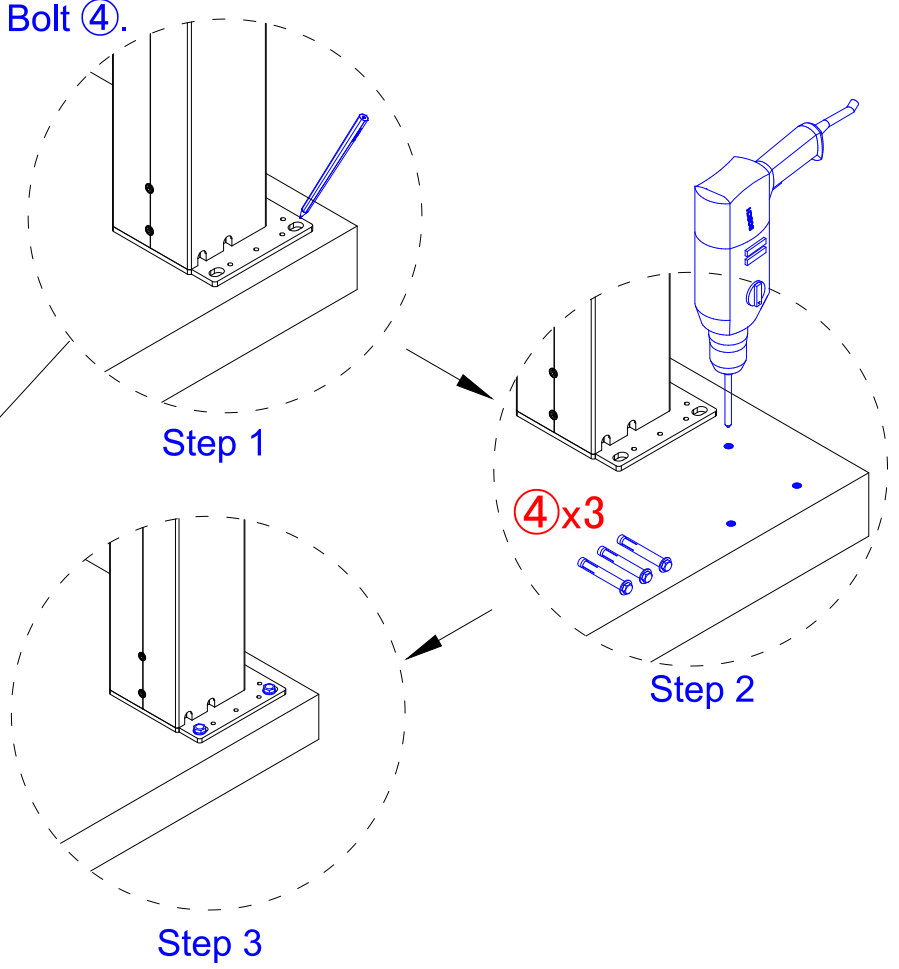
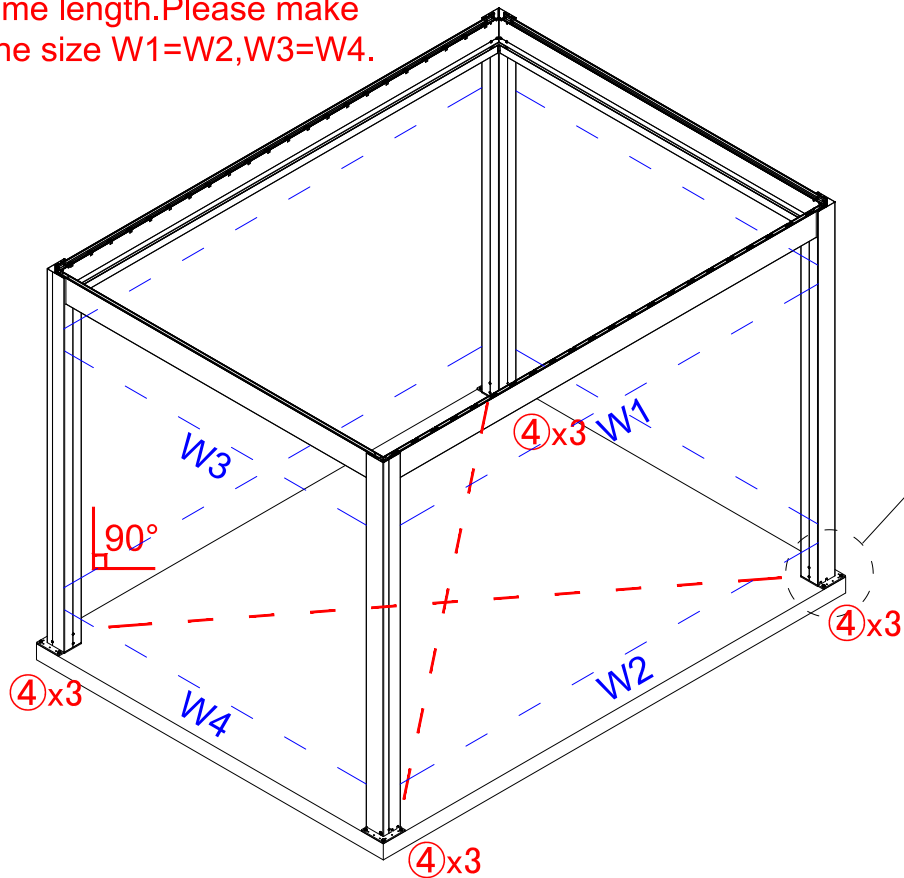
x 12

Note:

Before fixing the base plate, it is necessary to ensure that the diagonals of the 4 posts are the same length. Please make sure the size $W1=W2, W3=W4$.

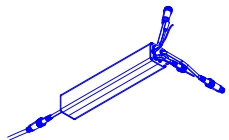
Fix Pergola to the Ground

- 1) Use the 12 M10*100 Anchor Bolt ④ provided, if the ground is concrete floor. If not you will need to find another solution to bolt your pergola down onto your desired surface.
- 2) Move the pergola to the appropriate installation position, then mark the position of the four posts with the pencil, remove the pergola, and use the electric drill to make 12 holes according to the mark. Move the pergola back to the position and secure the base plate with M10*100 Anchor Bolt ④.



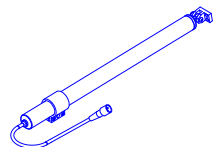
It is the responsibility of the user to ensure that the pergola is fixed down. The manufacturer is not responsible for damage caused by natural disasters or special events to the pergola (or its accessories). Any pergola that is not fixed may be blown away and cause damage, and this responsibility will not be attributed to the manufacturer. Check the pergola regularly to ensure it remains stable and firmly attached to the ground. A pergola that detaches from its position and incurs or causes damage will not be covered under warranty.

⑤



x 1

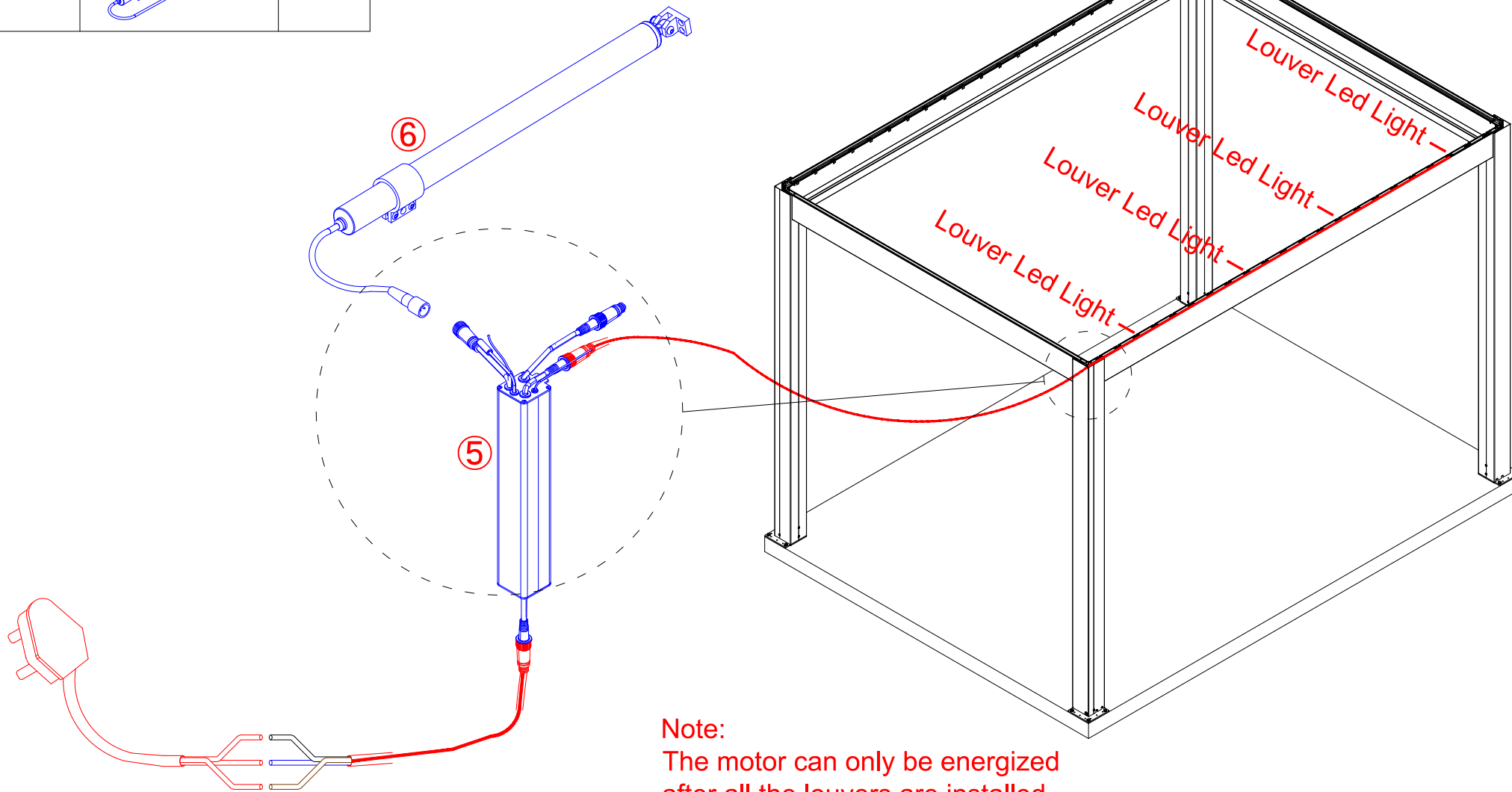
⑥



x 1

Installing Wire

1) As shown in the figure, when arranging the motor wires, please connect the motor wires and the strip wire of the louver led light to the Power Controller ⑤, and put the Power Controller ⑤ into the post.



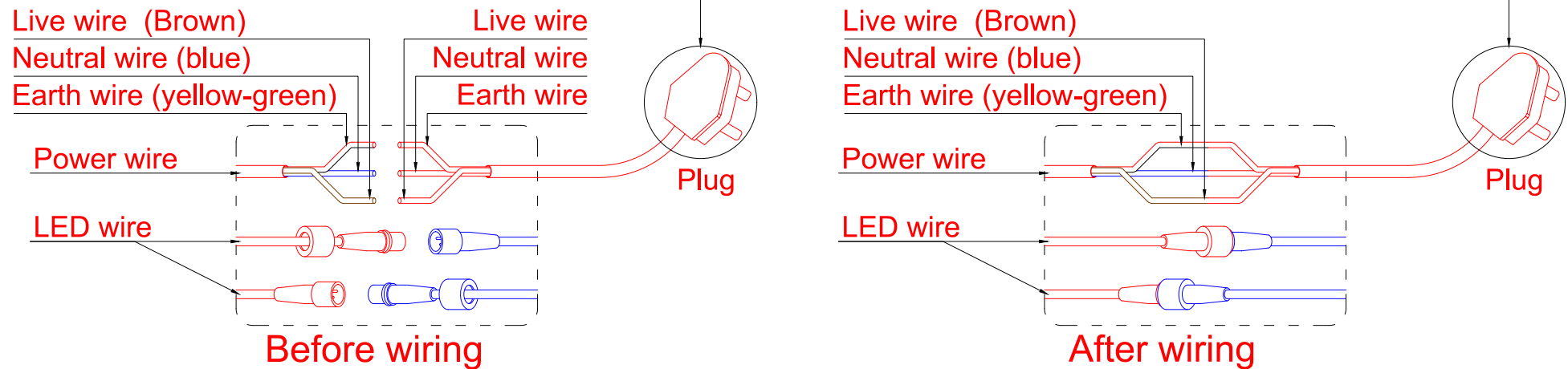
Note:
The motor can only be energized after all the louvers are installed.

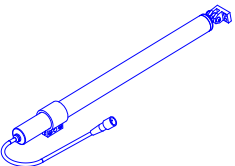



Note: Please follow the steps to connect the wire correctly, otherwise the motor will be faulty.



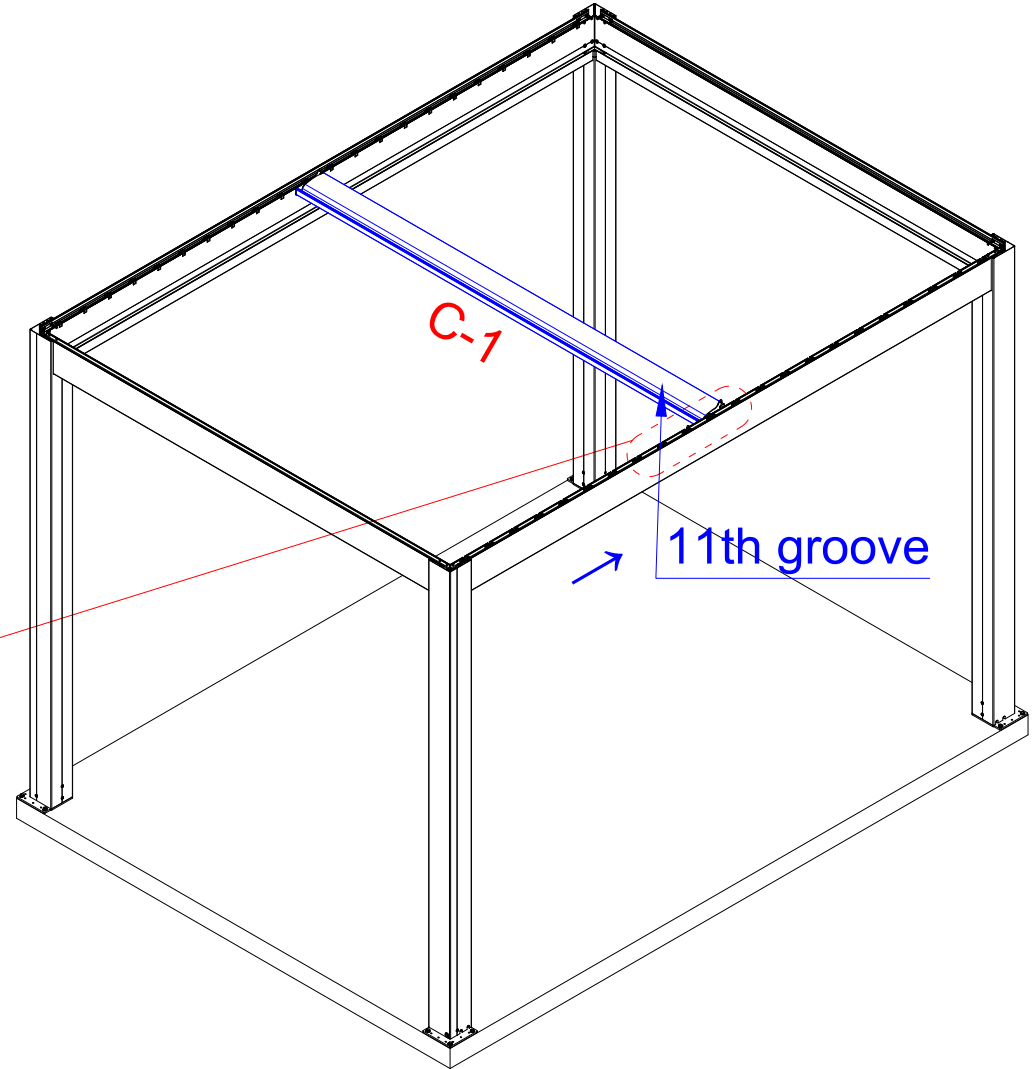
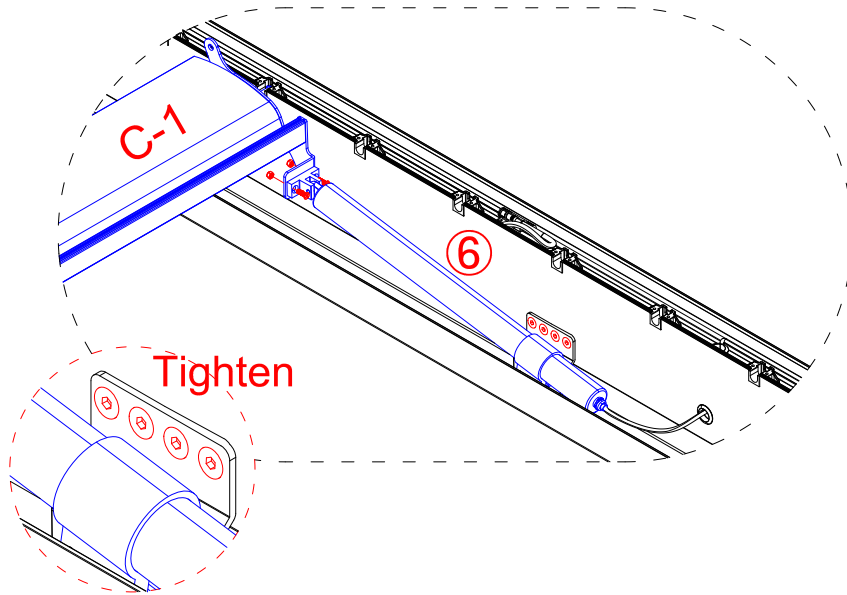
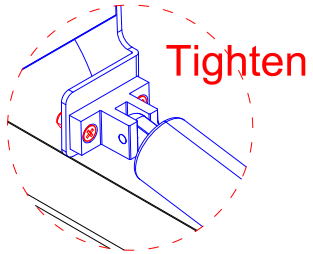
The plug is not supplied



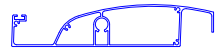
⑥		x 1
C-1		x 1

Mounting Motor

- 1) As shown, unscrew the bolts on the beam.
- 2) Connect the Motor ⑥ arm bracket to the Driven End Cap of Louver Blade with Driven C-1.



C-2 x 17

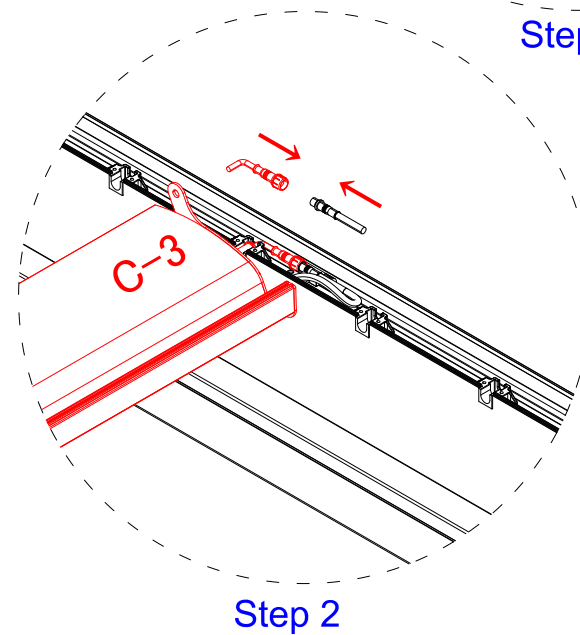
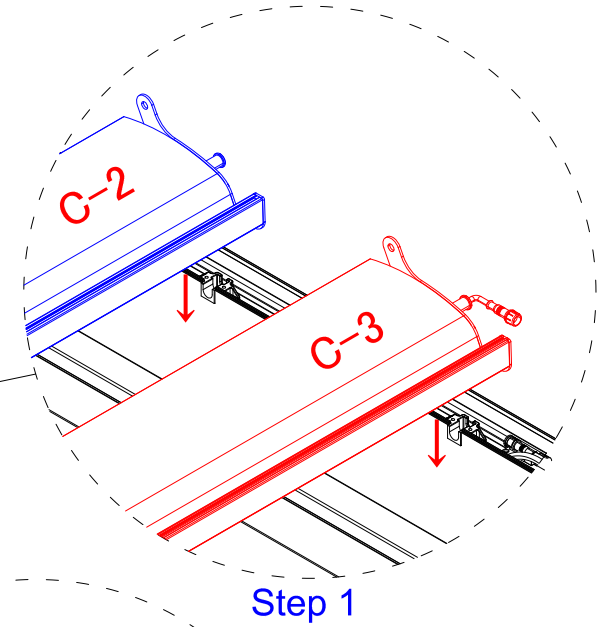
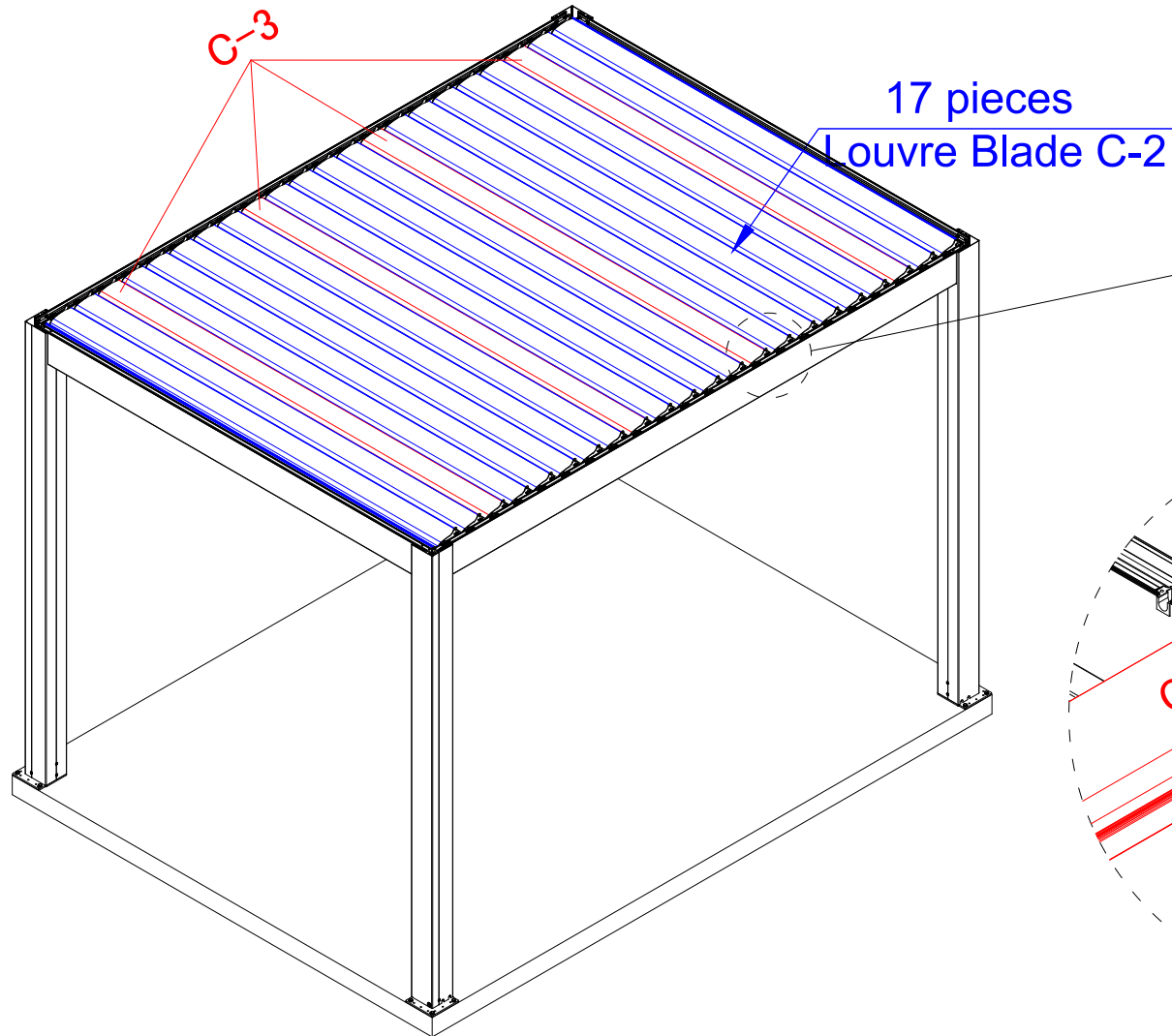


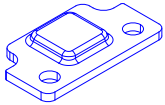

C-3 x 4



Installing Louvre Blades

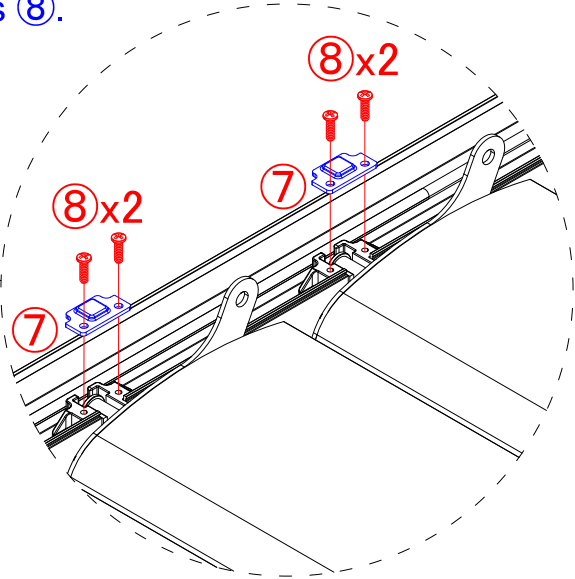
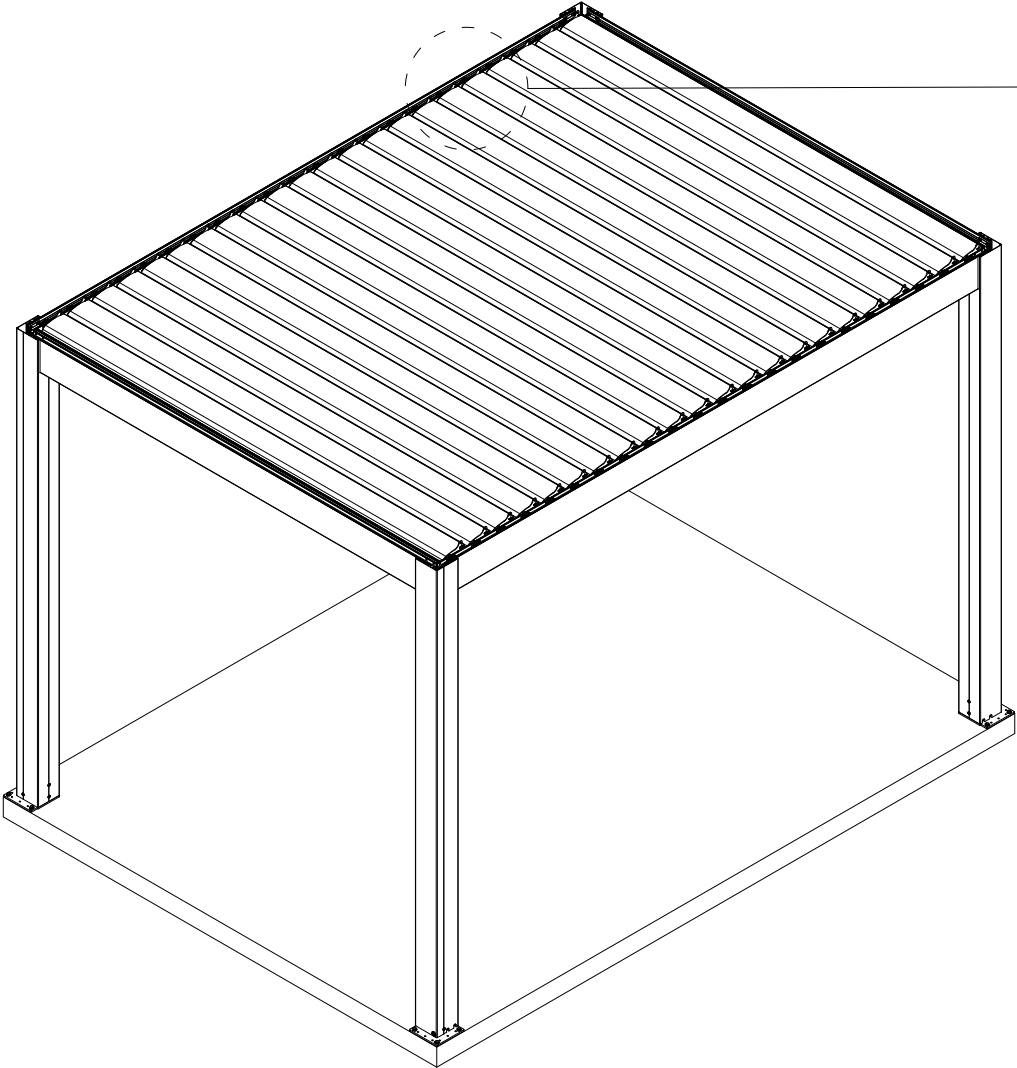
3) As shown, the louvre blade C-2 and Louvre Blade with Led Strip Light C-3 clicks directly into the groove, and install the lamp strip line with the lamp louver.



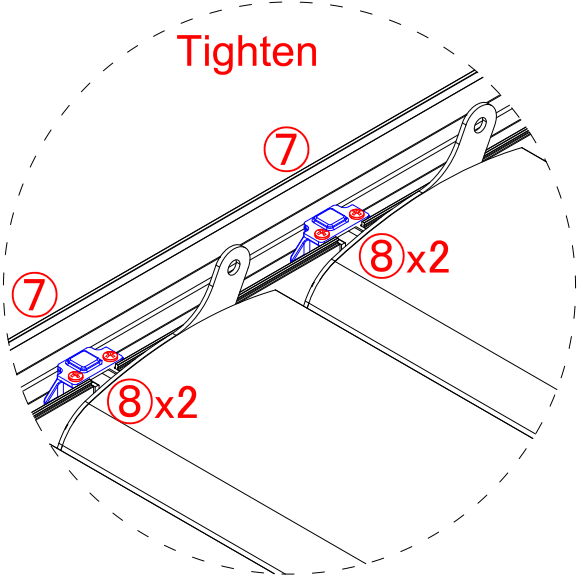
⑦		x 44
⑧		x88

Installing Louvre Blades

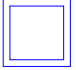
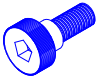
4) As shown, fixed the shaft holder gland ⑦ on shaft holder with M4*14 stainless steel cross plate head screws ⑧.



Step 1

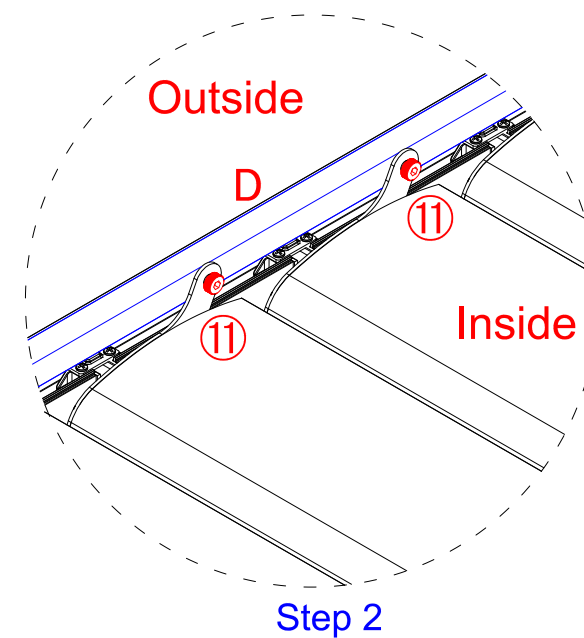
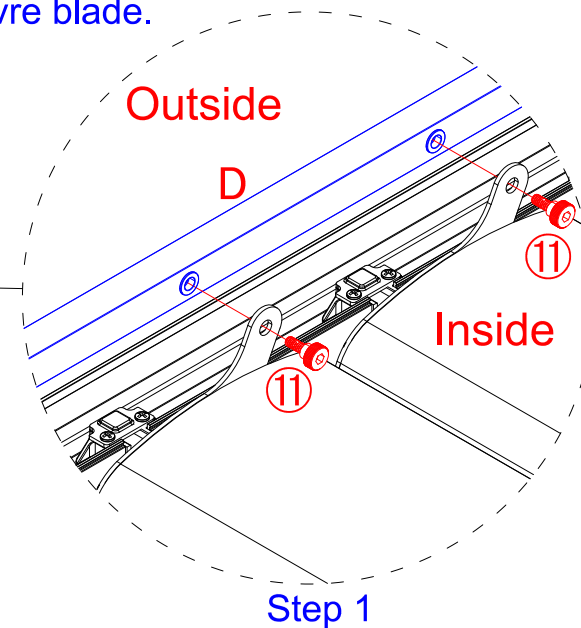
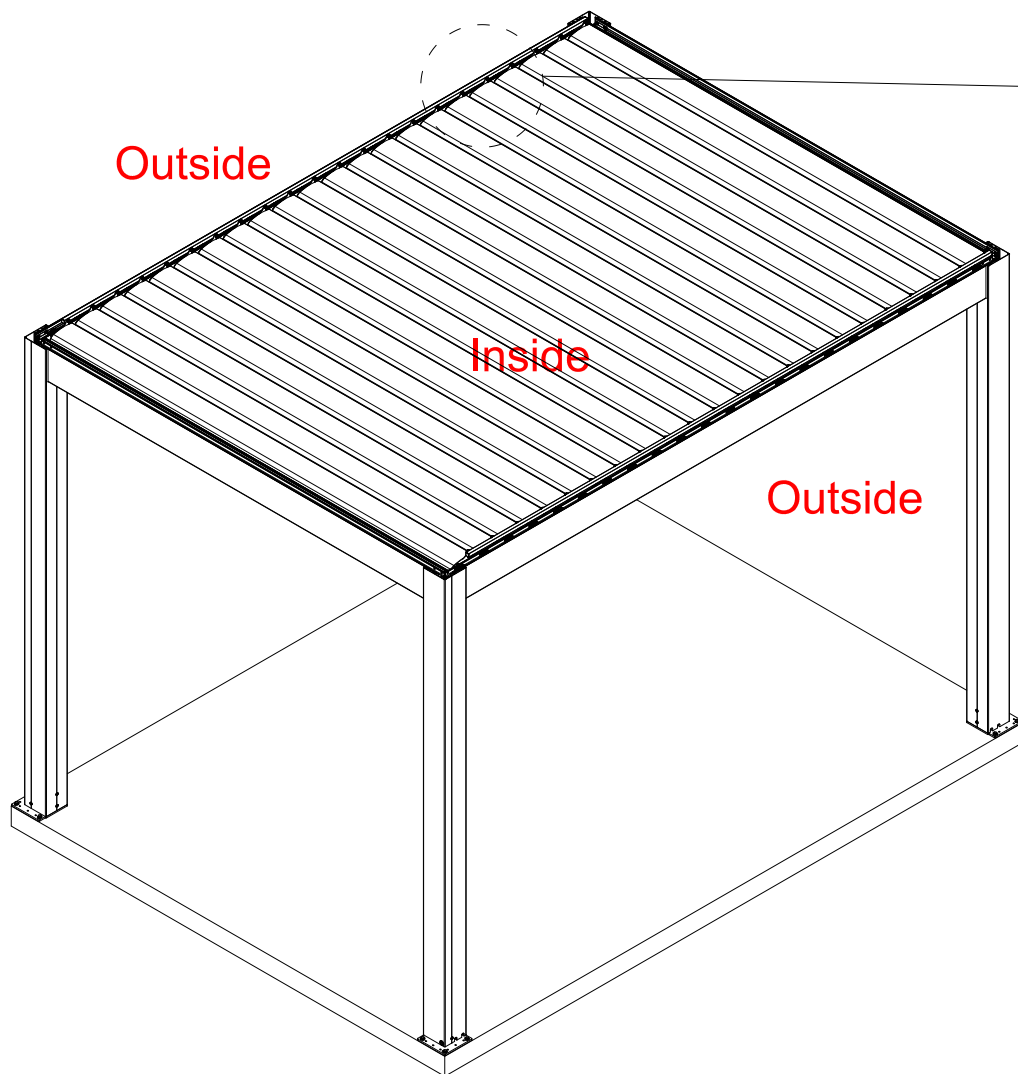


Step 2

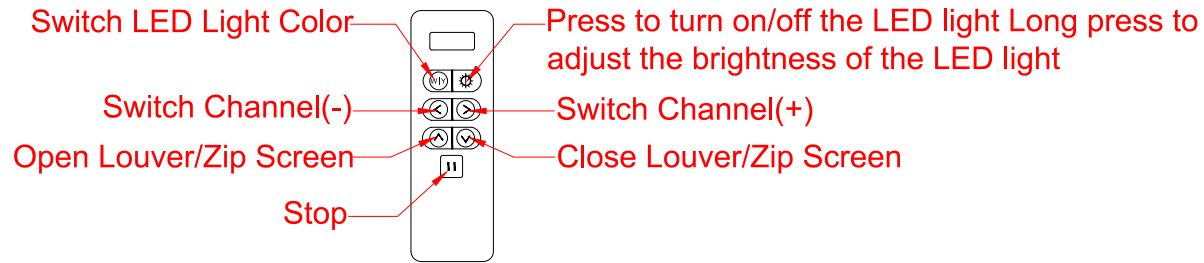
D		x 2
⑪		x 44

Installing Louvre Blades

5) As shown, use the M6*5 Hand-tightened Glue Head Screws ⑪ through the hole (on the control rod D), then fixed on the louvre blade.



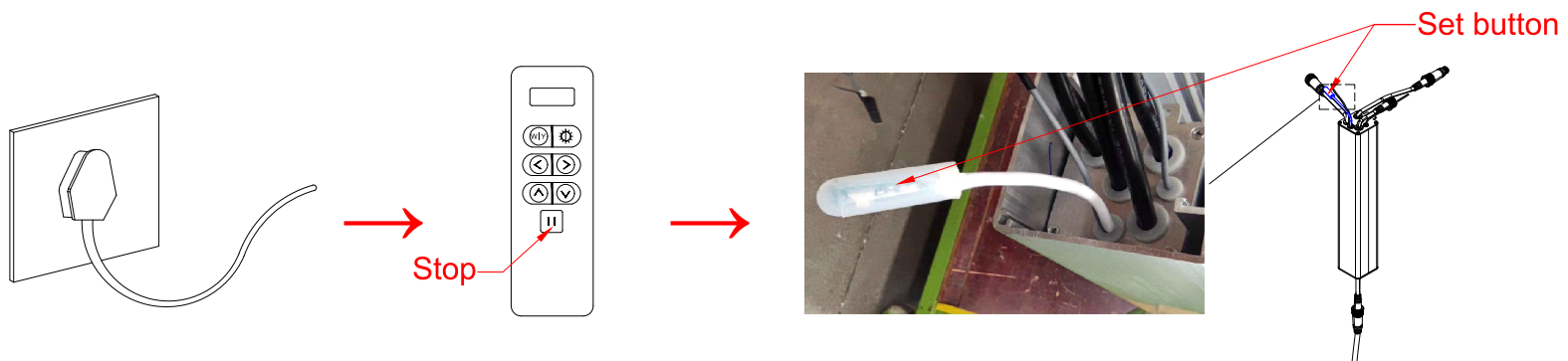
When the receiver cannot control the motor, please follow the steps below to program.
Normally no code pairing is required, please contact our team if you encounter any other problems.



Remote Control

Step 1: Press and hold the "Set button", when the indicator light will start flashing and enter the pairing state.

Step 2: Long press the remote control "stop button" for 2 seconds, after the indicator light stops flashing, release the button, and the code pairing is successful.



Step 1: Download the Tuya APP on your mobile phone, open it, and display the following page, click "Add Device".

Step 2: Click Others, select Connector (Wi-Fi), select 2.4GHz Wi-Fi network, and enter the password, and click "Next".

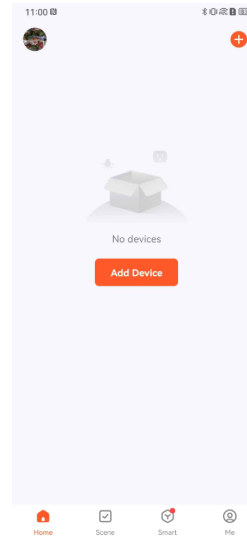
Step 3: According to the prompt, press the "Set" button on the control panel for 5 seconds, the indicator light starts to flash, click "confirm the indicator is blinking".

Step 4: According to the prompt and the blinking frequency of the indicator light, click "Blink Quickly" to start searching for devices.

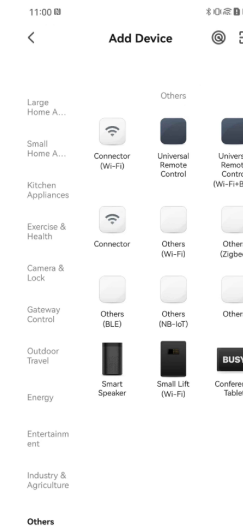
Step 5: After searching for "Pergola", click "Done" to enter the control page.

Congratulations, the device pairing is complete! The next time you enter the APP, click on the "Home" page and click on "Pergola" to enter the control page.

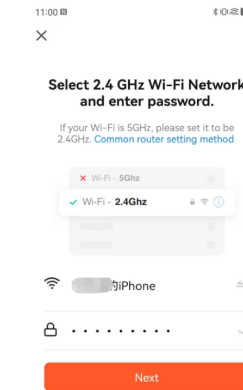
Step 1:



Step 2:



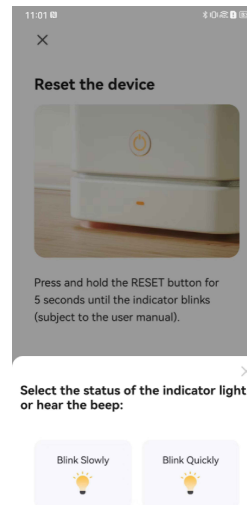
Step 2:



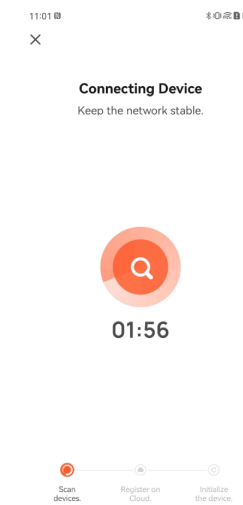
Step 3:



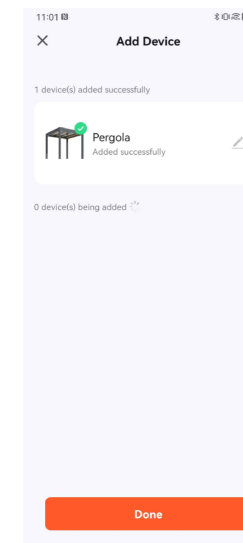
Step 4:



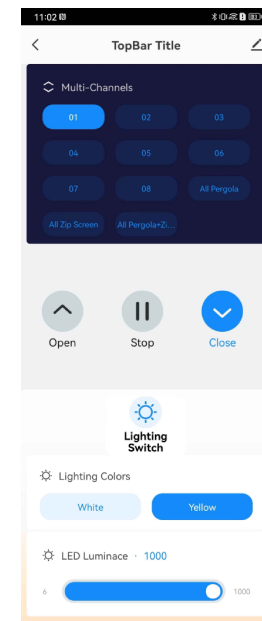
Step 4:



Step 5:



Step 5:



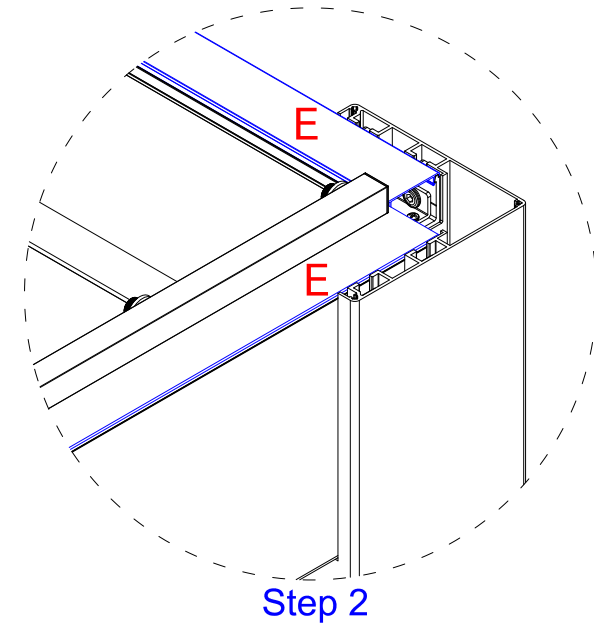
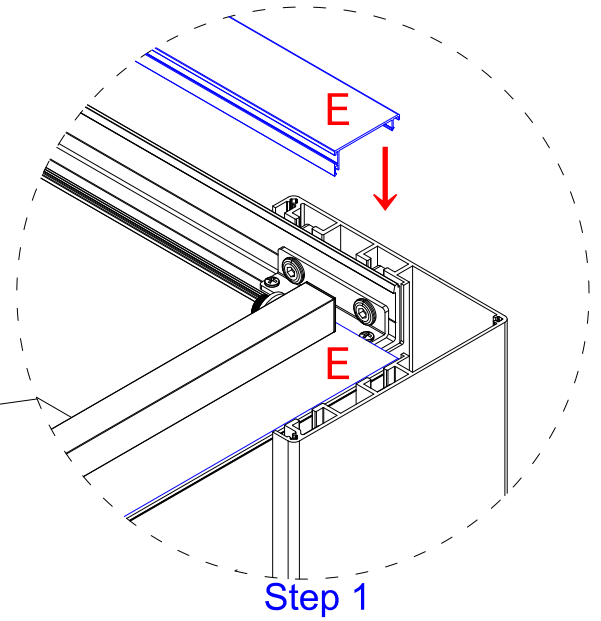
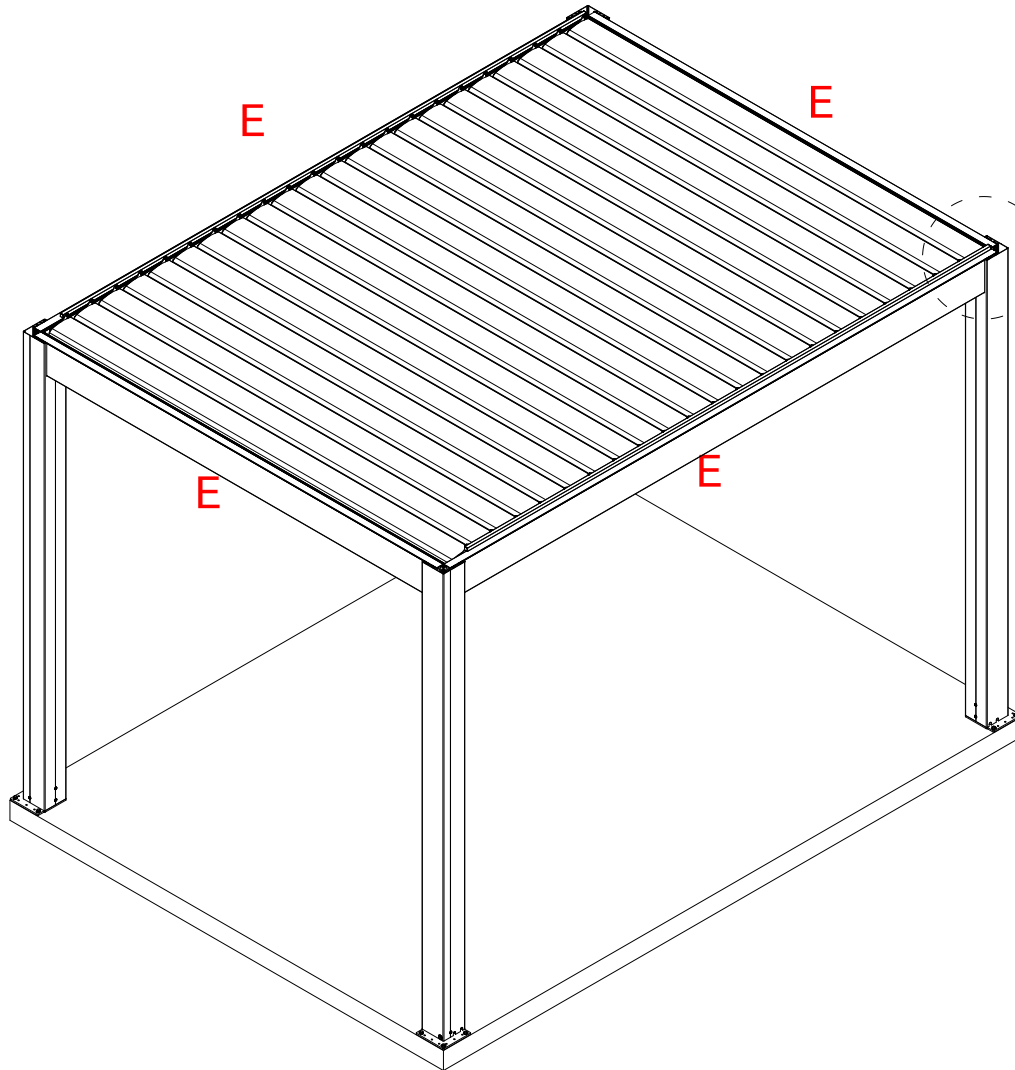
E



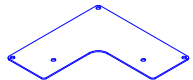
x 4

Fix the Gutter Top Cap

1) As shown, insert the Gutter Top Cap E into the groove of the beam.



9



x 4

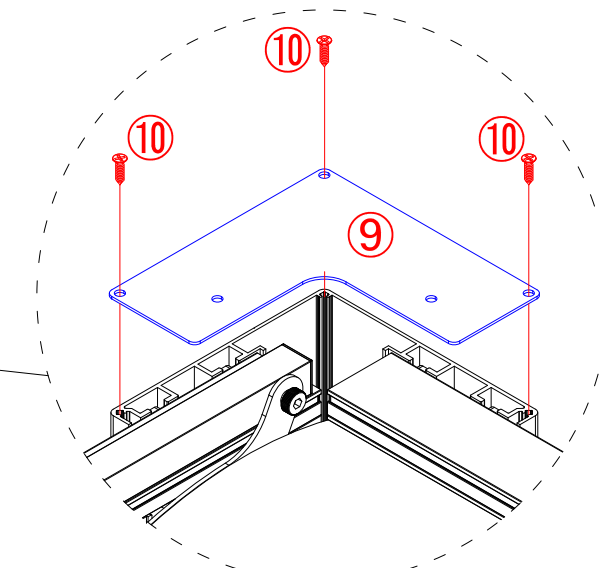
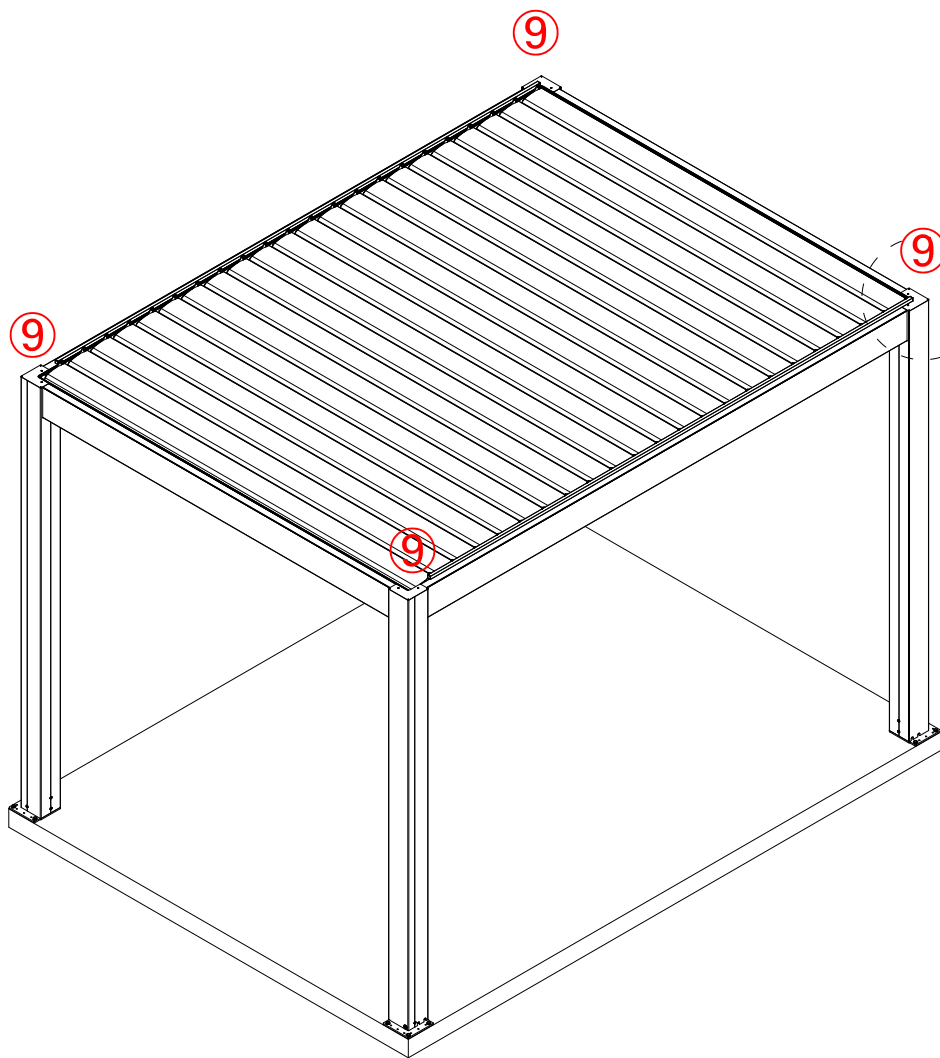
10



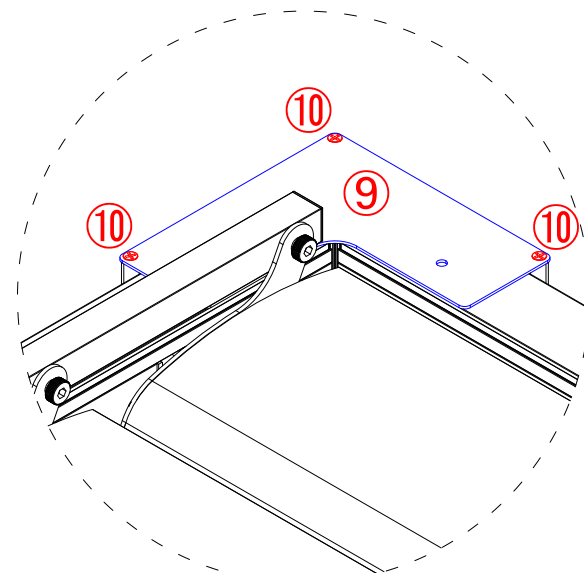
x 12

Fix the Post Cover Profile

2) As shown, put the Post Cover Profile 9 on the top of the post and then fix it with 3 of 4.2*16 self-tapping screws 10.



Step 1



Step 2

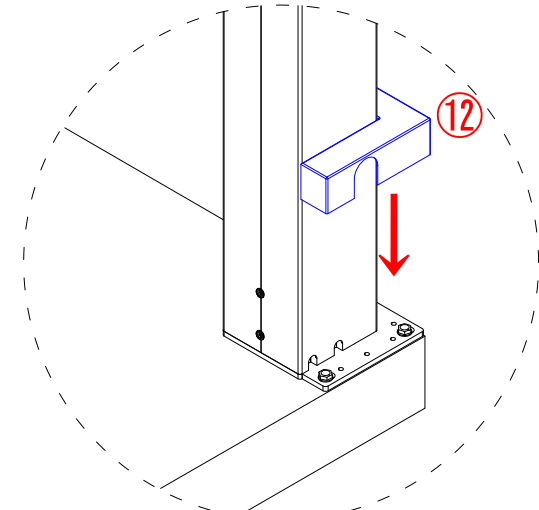
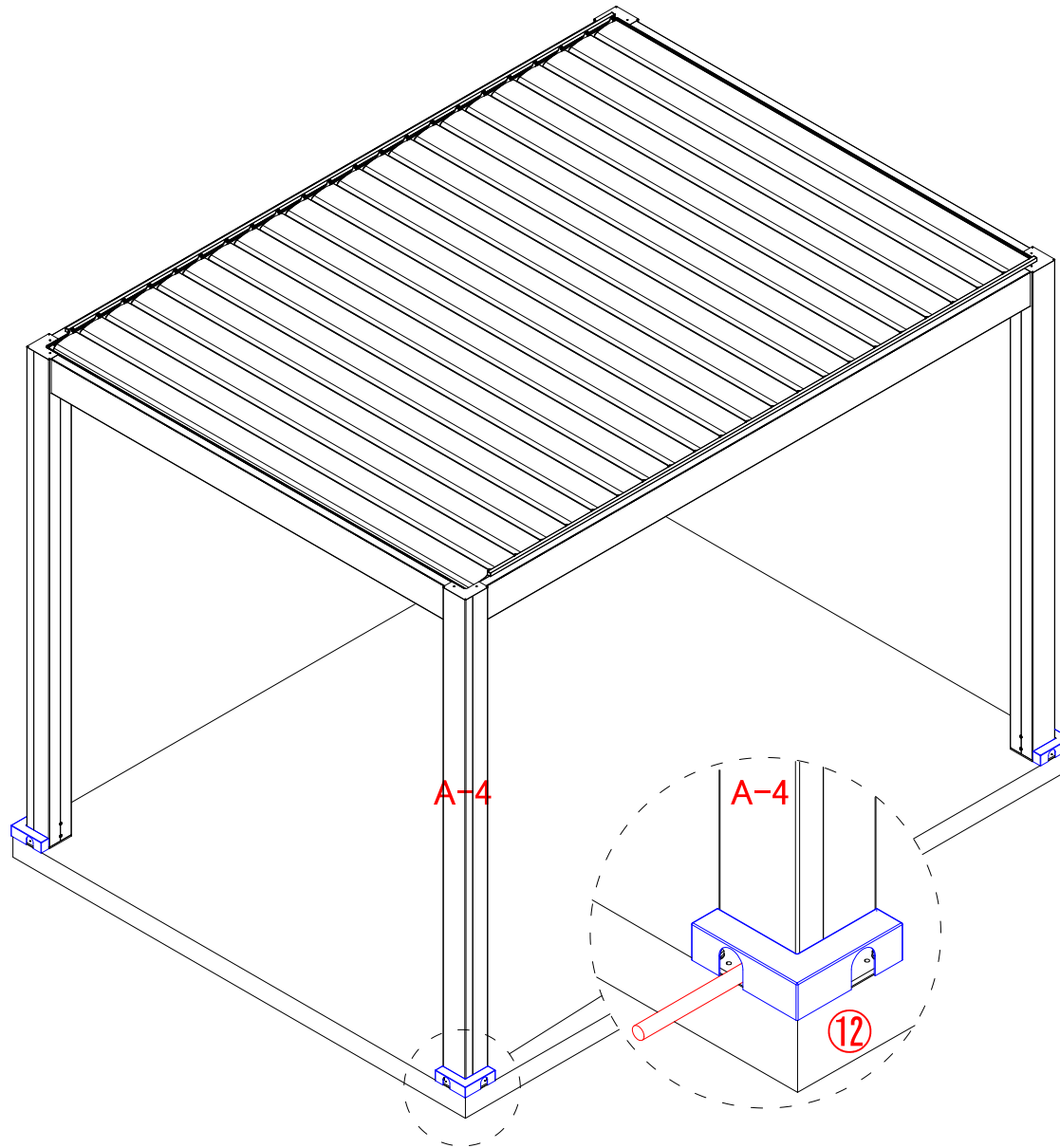
12



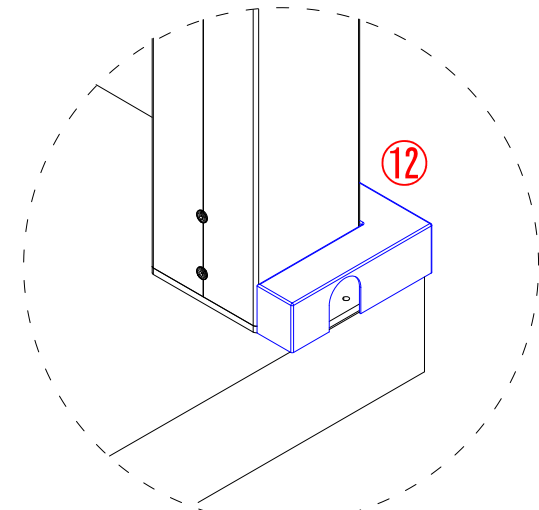
x 4

Installing the Base Plate Cover

3) As shown, the U-shaped notch of the base plate cover should be oriented in the same direction as the drain opening. The base plate cover on A-4 with extra outlet notch.



Step 1



Step 2

Caring for Your Pergola

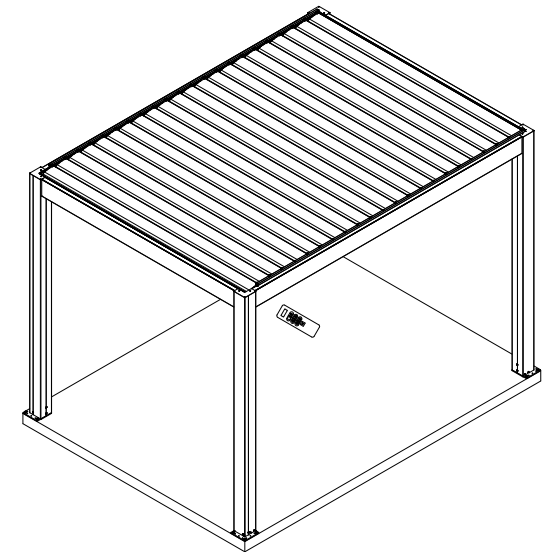
Structure surfaces coated with thermosetting powder coatings must be cleaned once a year to maintain their original aesthetic appearance.

Thermosetting powders are sensitive to:

- Physical friction, hard impact, extrusion, chemicals including alkaline solvent and acidic solvent.
- Natural elements such as wind, rain, snow, and prolonged sunlight. The exterior of the pergola may deteriorate over time and this will not be covered under warranty.

Cleaning Your Pergola

- Do not use scouring pad, cream cleaner, abrasive sponge, iron wire ball or coloured cloths.
- Recommended: Soft sponge, soft sand-free cloth, cotton wool, cotton or non-woven paper (white only).
- Do not use corrosive products such as acidic or alkaline cleaners. It is recommended to wash with neutral pH detergent water and then wipe it with a cloth to keep it dry.
- When cleaning with high-pressure equipment, the same precautions must be taken as when cleaning the car body: distance, nozzle type, water temperature and pressure should all be considered.



Use Reminder

- After the installation is complete, check that the screws are tight. Remember to check the screws at least once per year.
- **In an instance where snowfall, hail or strong winds greater than 80km/h are predicted, it is recommended to open the louvre blades. Do not operate the blades in the event of frost or snow. Please remove the blades from the pergola when the snow is abundant.**
- Regularly check the sealing conditions to ensure that the seals or other components do not leak.
- Regularly clean up debris such as fallen leaves on pergola to prevent blockage of the drain.
- Restrictions on use: Watertight systems, although effective, are not designed to ensure complete waterproofing. Heavy rain and strong winds may damage the pergola. Any damage incurred will not be covered under warranty.