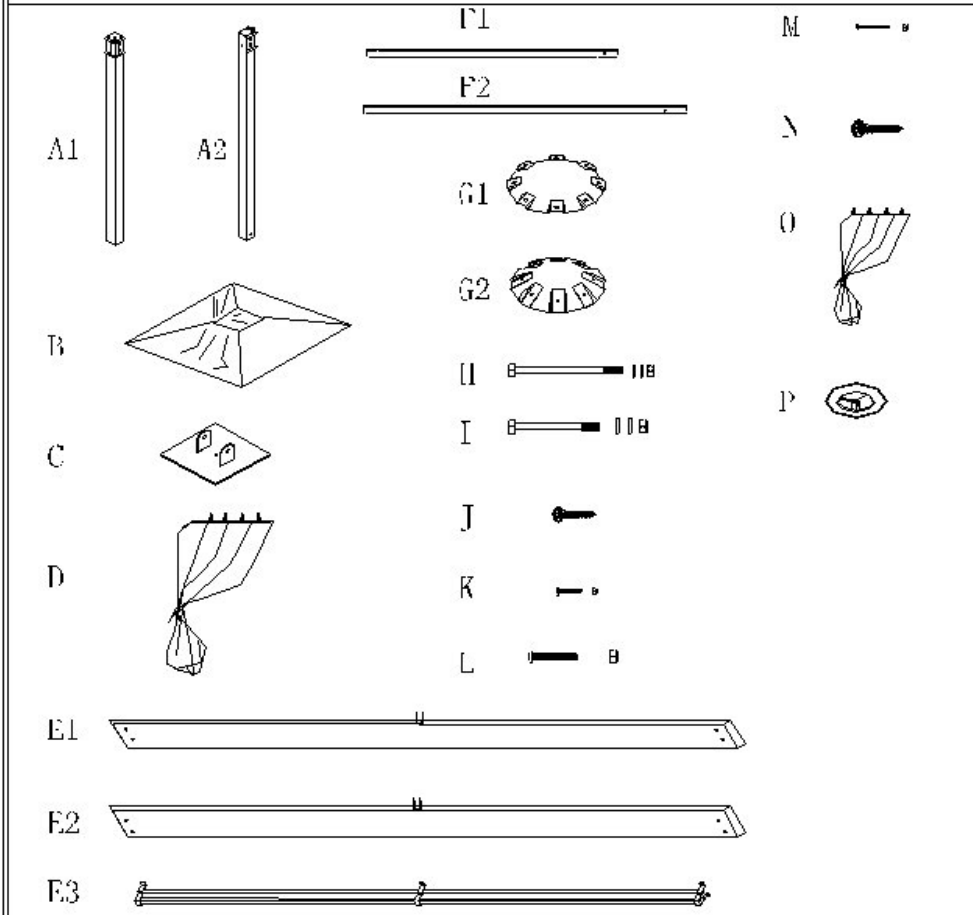
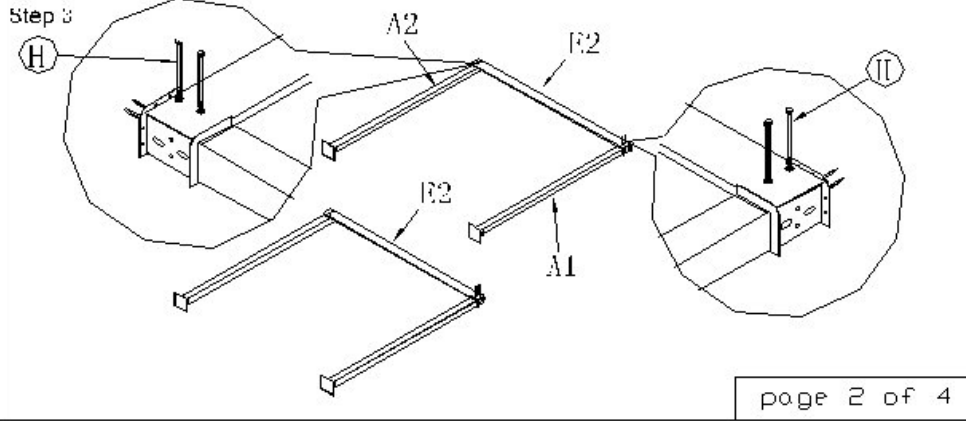
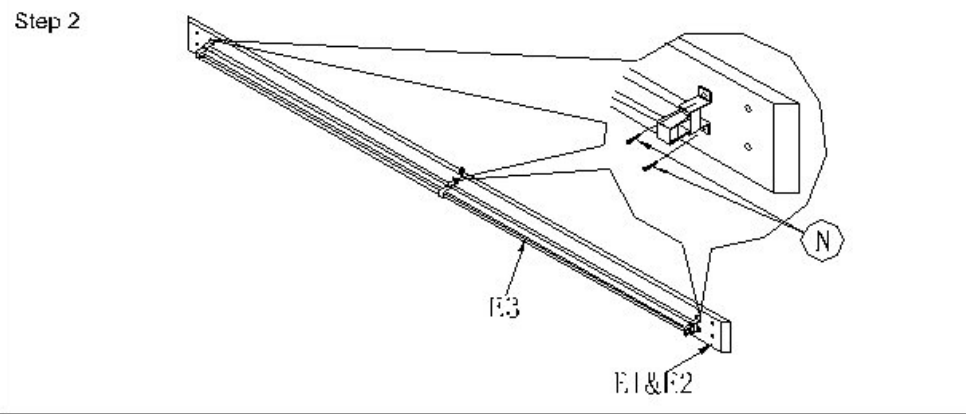
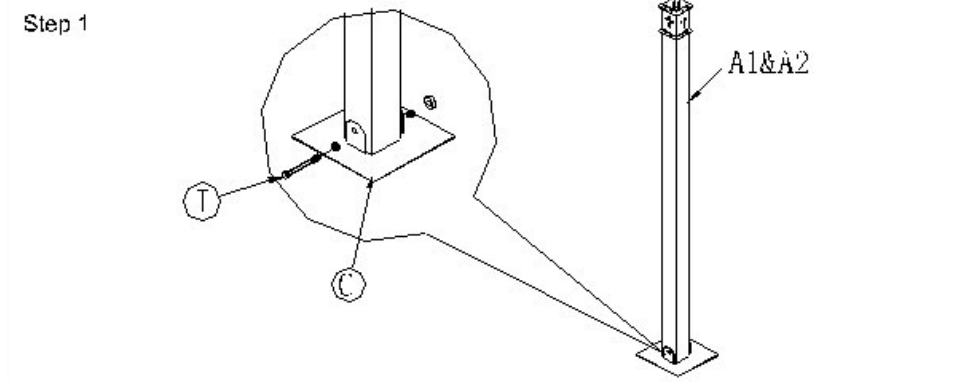


ASSEMBLY INSTRUCTION FOR WOOD GAZEBO 10'x10' (3x3m)

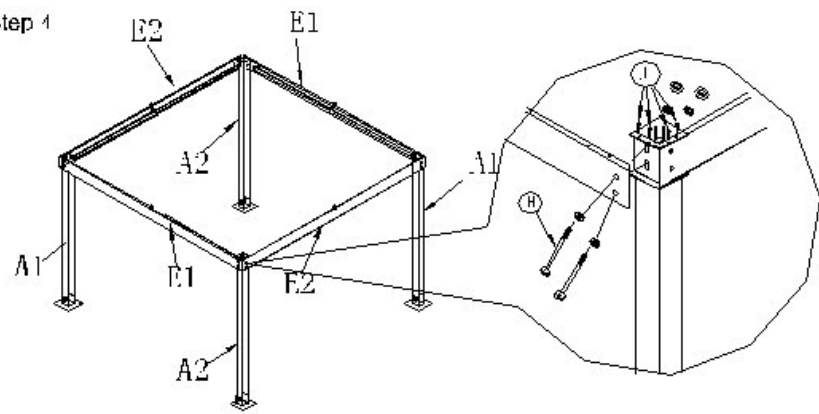


Step	Pcs.	Component Description	Remark	Step	Pcs.	Component Description	Step	Pcs.	Component Description
A1	2	Ribs A1		F1	4	Short Ribs	M	4	Washer (10x16mm)
A2	2	Ribs A2		F2	4	Long Ribs	N	8	Bolt (6.3x20x110mm)
B	1	Fabric / Canopy		G1	1	Top Disc	N	4	Washer (10x16mm)
C	4	Top		G2	1	Bottom Disc	O	4	Conic Fabric Ties
D	4	Long Bolt And Nut	Option	H	16	Long Bolt And Nut (25x110mm)	P	1	Spacer (10mm)
I	2	Short Bolt		J	4	Short Bolt And Nut (10x10mm)			
K	2	Short Bolt		L	16	Fabric Ties (10x120mm)			
E1	4	Beam E1							
E2	4	Beam E2							
E3	4	Beam E3							

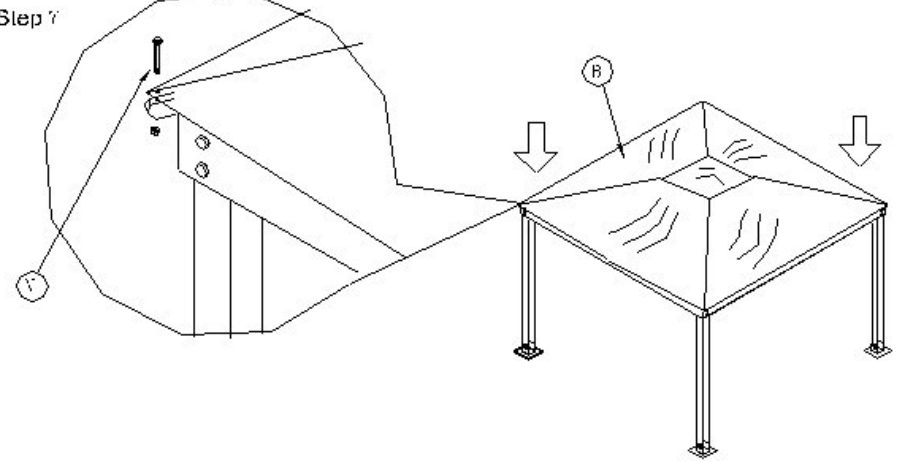
Simply assembly instruction-Please keep for future reference



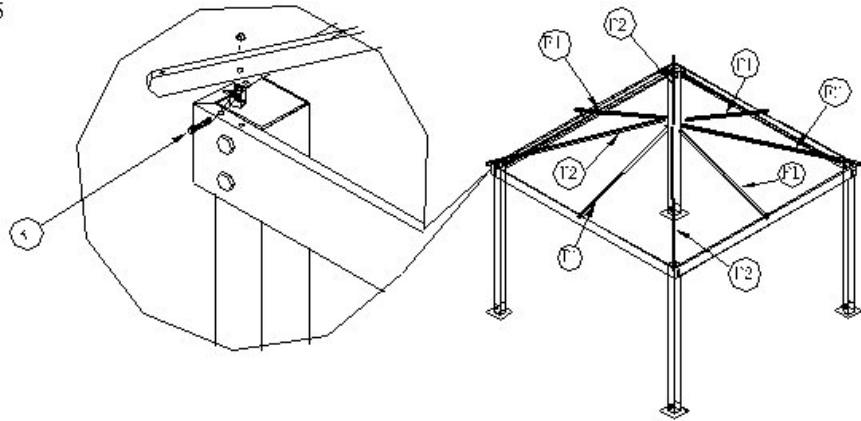
Step 1



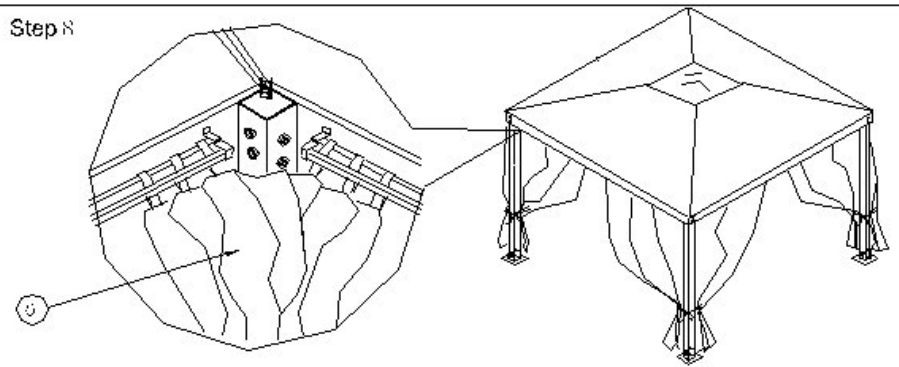
Step 7



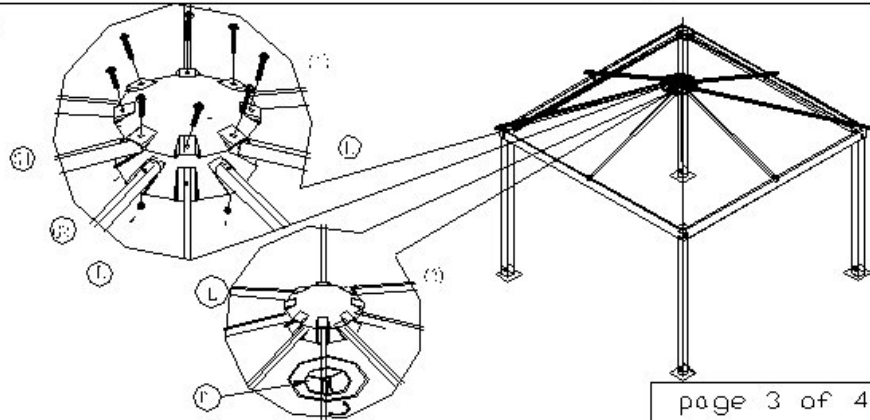
Step 5



Step 8



Step 6



Step 9

