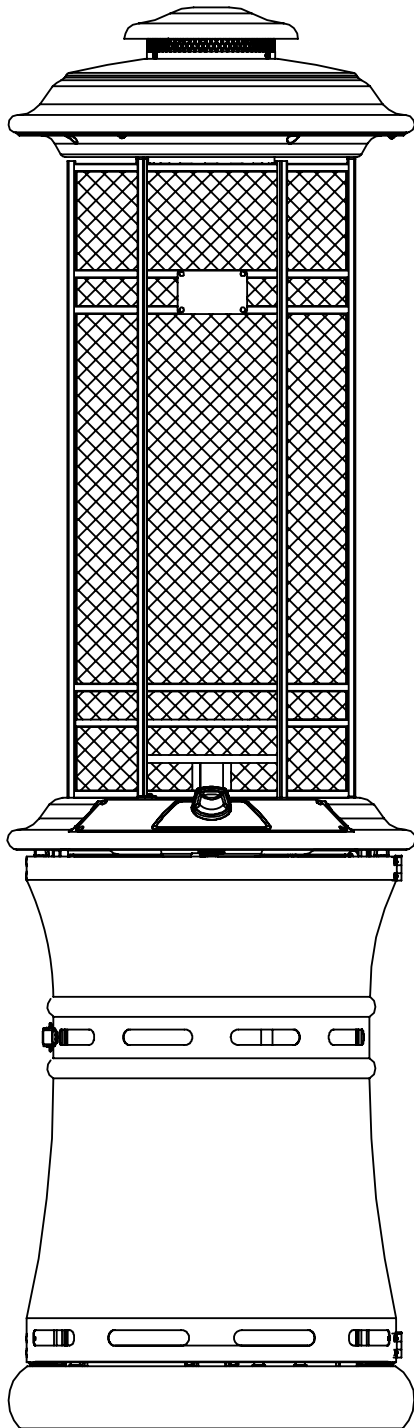


OUTDOOR PATIO HEATER

Instruction Manual & Parts List

Model: SRPH67



WARNING:

Read the instruction before installation and use.

Keep the instructions for future reference.

For Outdoor use only!

These instructions are only valid if the country symbol appears on the instruction manual and on the appliance.



For gas adjustment refer to Appliance Marking!

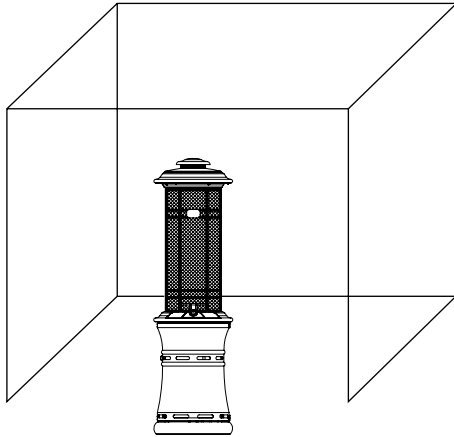
INDEX/TABLE OF CONTENTS

ITEM	Page
TOOLS AND PARTS NEEDED FOR ASSEMBLY	3
PARTS LIST	4
PRECAUTIONS	5-7
TECHNICAL DATA	8
ASSEMBLY	9-12
MAINTENANCE	13
OPERATION	14-16
LOCATING APPLIANCE FOR USE	17
STORAGE	18
TROUBLESHOOTING	19
WARRANTY	20

TOOLS AND PARTS NEEDED FOR ASSEMBLY

WARNING

1. For use outdoors or in amply ventilated areas.
2. An amply ventilated area must have a minimum of 25% of the surface area open.
3. The surface area is the sum of the walls surface.
4. This appliance is not fitted with "Atmosphere sensing device".



Use only in a well ventilated area.

Do not store or use gasoline or other flammable vapors or liquids in the vicinity of this or any other appliance. The heater is to be used only in a well ventilated area and is not to be used in a building, garage or any other enclosed area.

TOOLS NEEDED:

Leak Detection Solution (Instructions how to make solution are included in Step8).

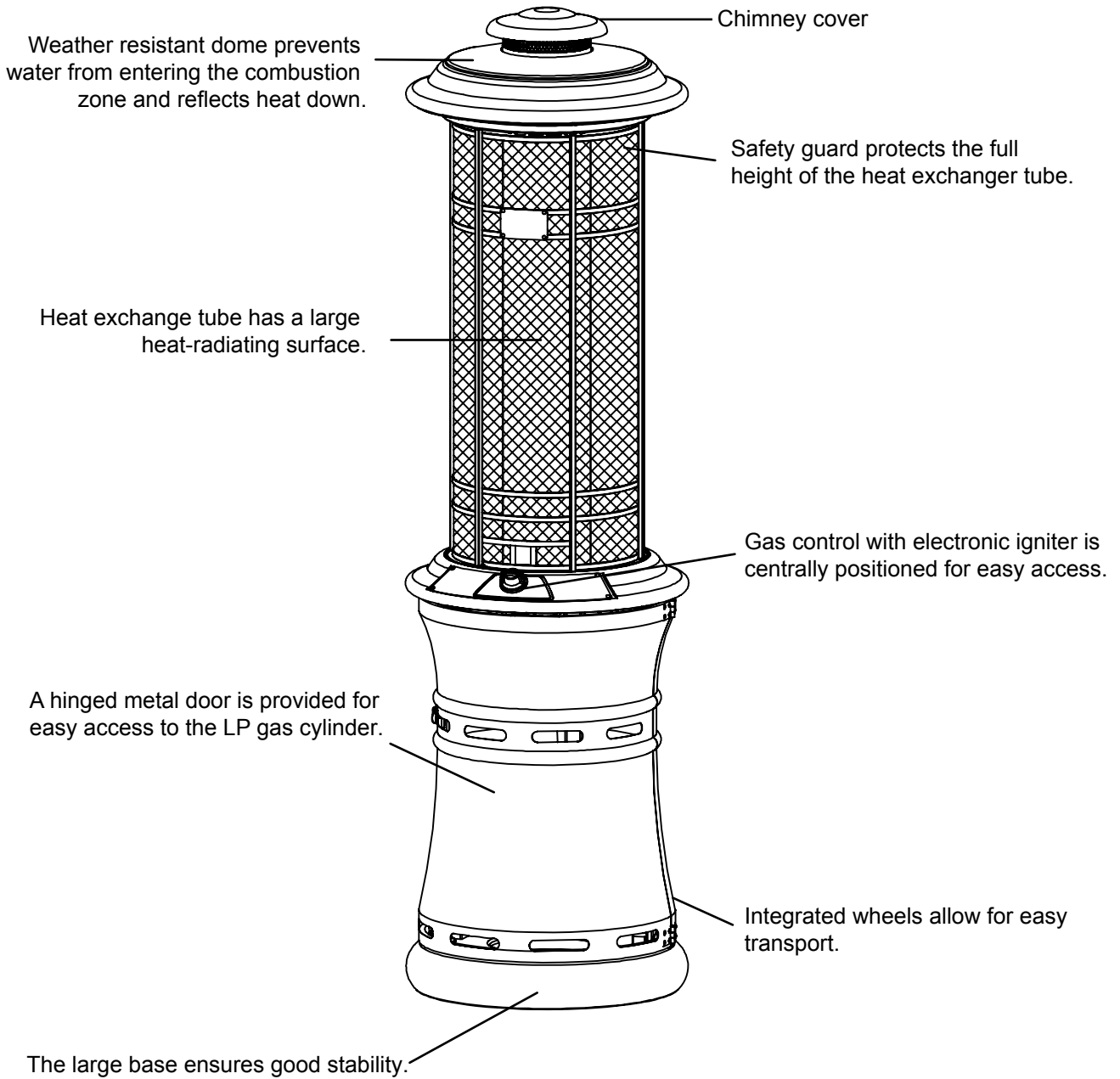
For questions, replacement parts, service help, or other assistance, please call _____

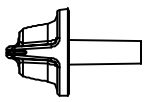
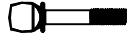

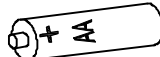
ATTENTION: This appliance is fitted with gas regulator, flexible gas rubber pipe and clamps according to European Standards and the National Rules in force of the country of destination.

These components should be periodically substituted, according to the date reported on the body of each of them, or according to the National Rules in force of the country of destination.

LPG cylinder is not provided; ask your gas dealer about it according to this Instruction Manual.

PARTS LIST



			
control knob	Thumb screw 1pc	Wing bolt 1pc	AA battery (1.5V) (not included)

PRECAUTIONS

NOTE: PLEASE READ THE FOLLOWING SAFETY RULES

WARNING

This appliance must only be used outdoors.

Using this product in an enclosed area may cause injury, death or property damage.

Read the instructions before installation and use. This appliance must be installed and the LPG cylinder stored in accordance with such regulations in force.

The appliance must be installed according to the instructions and National Rules in force of the country of destination.

Do not store LPG Gas cylinder indoors.

Do not move this until the temperature has cooled down (wait for 45 Minutes after OFF).

Do not use this appliance until all connections have been leak tested.

Outdoor temperature less than 5 °C will cause restricted gas flow and the appliance will not work properly.

As an anti-tip safety measure the appliance is fitted with a gas shut-off device that shuts-off the gas supply before an inclination of 45° is reached.

Do not use the appliance in an explosive atmosphere.

Keep the appliance away from areas where gasoline or other flammable liquids or vapors are stored.

Prior to use, check for damaged parts such as hoses, regulators, pilot or burner.

Shut off the valve at the LPG cylinder or the regulator before moving the appliance.

Do not attempt to alter unit in any manner.

EXAMPLE: using the appliance without the top canopy reflector or radiant screen.

Do not shorten the burner post assembly.

The appliance shall not be used in basements or

below ground level.

It must always be placed on a solid and level surface.

Always ensure that there is ample fresh air ventilation. For outdoor use ONLY.

Never replace or substitute the regulator with any regulator other than the factory suggested replacement.

Do not clean the appliance with cleaners that are combustible or corrosive.

Do not paint radiant screen, control panel or top canopy reflector.

All leak tests should be done with a soapy solution. NEVER USE AN OPEN FLAME TO CHECK FOR LEAKS.

Close the gas supply at the valve of the LPG cylinder or the regulator after use.

Do not move the appliance when in operation.

In case of violent wind particular attention must be taken against tilting of the appliance.

At least once a year, the unit should be inspected for the presence of spiders, spider webs or other insects. Check the appliance immediately if any of the following exists:

1. The smell of gas in conjunction with extreme yellow colored tips of the burner flames.
2. The appliance does not reach temperature.
3. The burner makes a popping noise during use (a slight popping noise is normal when the burner is extinguished after using).

The flexible gas hose and regulator assembly shall be located out of pathways where people may trip over it or in areas where the hose will not be subject to accidental damage.

PRECAUTIONS

NOTE: PLEASE READ THE FOLLOWING SAFETY RULES

Children and adults should be aware of the hazards of the high surface temperatures and must be kept away in order to avoid burning themselves or their clothing.

Young children should be carefully supervised when they are in the area of the appliance.

Clothing or other flammable material should not be hung from the appliance, or placed on or near the appliance.

Any guard or other protective device removed for servicing the appliance must be replaced prior to operating the appliance.

Installation and repair should be done by a qualified service person. The appliance should be inspected before use and cleaning may be required at least once a year, or as necessary. It is imperative that control compartment, burner and circulating air passageways of the appliance be kept clean.

Keep the appliance area clear of combustible materials such as gasoline and other flammable vapors and liquids.

Do not obstruct the ventilation holes of the cylinder housing.

Keep the ventilation opening of the cylinder enclosure free and clear of debris.

In the event of gas leakage, the appliance must not be used or if already alight, the gas supply must be shut off and the appliance investigated and rectified before it is used again.

PRECAUTIONS

NOTE: PLEASE READ THE FOLLOWING SAFETY RULES

Change the LPG cylinder in an amply ventilated area, away from any ignition source (candle, cigarettes, other flame producing appliances...).

The appliance is designed to operate with a cylinder of size Ø 31.8 x 58 cm.

Avoid twisting the flexible tubing while using.

Do not use the appliance if positioned near any fire hazard.

The length of the hose is 0.41m and it should not exceed 0.7m.

Check the tubing or the flexible hose (at least once per month and each time the cylinder is changed). If it shows signs of cracking, splitting or other deterioration, it must be exchanged for a new hose of the same length and of the equivalent quality.

Warning: The tubing or the flexible hose must be changed within the prescribed intervals.

Warning: The appliance is for outdoor use. Do not use the appliance for animal rearing.

Warning: The installation of fixed appliances shall only be carried out by competent persons and be in accordance with the relevant National rules of the country of destination. This appliance must only be used for outdoor space heating.

Warning: Use only the type of gas and the type of cylinder specified by the manufacturer.

Warning: A hose and a regulator are included.

The outlet pressure of regulator is 30 mbar.

Note: This appliance requires a 15 kg butane LPG cylinder or a 13 kg propane LPG cylinder.

Gas regulator should be the correct one and be set according to specific gas category (see page 8).

Gas regulator should be approved according to EN 12864 with proper capacity (g/h), pressure, working temperature and inlet + outlet connection for the country of destination.

Flexible gas rubber pipe should be approved according to EN 1763-1 with proper inner Ø to match pipe holders of gas circuit and gas regulator, pressure and working temperature.

13 kg or 15 kg is the recommended LPG cylinder size to suit the LPG compartment shape.

FOR YOUR SAFETY

If you smell gas:

1. Shut off gas to appliance.
2. Extinguish any open flame.
3. If odor continues, immediately call gas supplier.

TECHNICAL DATA

Product Name	Outdoor Patio Heater		
Model	SRPH67		
Gas Type	Butane, Propane according to the Gas Category		
Country Code	BE, CY, DK, EE, FI, FR, HU, IT, LT, NL, NO, SE, SI, SK, RO, HR, TR, BG, IS, LU, MT	BE, CH, CY, CZ, ES, FR, GB, GR, IE, IT, LT, LU, LV, PT, SK, SI.	AT, CH, DE, SK
Gas Category	I _{3B/P(30)}	I _{3+(28-30/37)}	I _{3B/P(50)}
Pn (mbar)	30/30	28-30/37	50/50
Nominal heat input (Hs)	11KW	11KW	11KW
Gas consumption	800 g/h(G30)	800 g/h (G30) - 786 g/h (G31)	800 g/h(G30)
Injector diameter (Ø)	1.67mm	1.67mm	1.39mm

Country Code	Gas Category	Gas Type	Nominal pressure (Pn)
BE, CY, DK, EE, FI, FR, HU, IT, LT, NL, NO, SE, SI, SK, RO, HR, TR, BG, IS, LU, MT	I _{3B/P(30)}	Butane (G30) / Propane (G31) / Mixtures	30/30 mbar
BE, CH, CY, CZ, ES, FR, GB, GR, IE, IT, LT, LU, LV, PT, SK, SI	I _{3+(28-30/37)}	Butane (G30) / Propane (G31)	28-30/37 mbar
AT, CH, DE, SK	I _{3B/P(50)}	Butane (G30) / Propane (G31) / Mixtures	50/50 mbar

For appliance gas adjustment, refer to Packaging Marking and/or Appliance Marking. According to Gas Category, usable gases can be Gas G30 (Butane), Gas G31 (Propane) or Mixtures of them; do not use other type of gases! "Appliance adjustment can not be changed" - "There is not any primary air regulation"

Appliance adjustment supply pressures:

Country Code	Index Category	Minimum inlet Pressure	Adjustment nominal inlet pressure (Pn)	Maximum inlet Pressure	Gas
BE, CY, DK, EE, FI, FR, HU, IT, LT, NL, NO, SE, SI, SK, RO, HR, TR, BG, IS, LU, MT	3B/P	25 mbar	30 mbar	35 mbar	G30,G31
BE, CH, CY, CZ, ES, FR, GB, GR, IE, IT, LT, LU, LV, PT, SK, SI	3+	20 mbar	28-30 mbar	35 mbar	G30
		25 mbar	37 mbar	45 mbar	G31,G32
AT, CH, DE, SK	3B/P	42.5 mbar	50 mbar	57.5 mbar	G30,G31

Manufacturer reserves the right to change appliance's specifications, or design, without any notice.

Manufacturer: SHINERICH INDUSTRIAL LIMITED

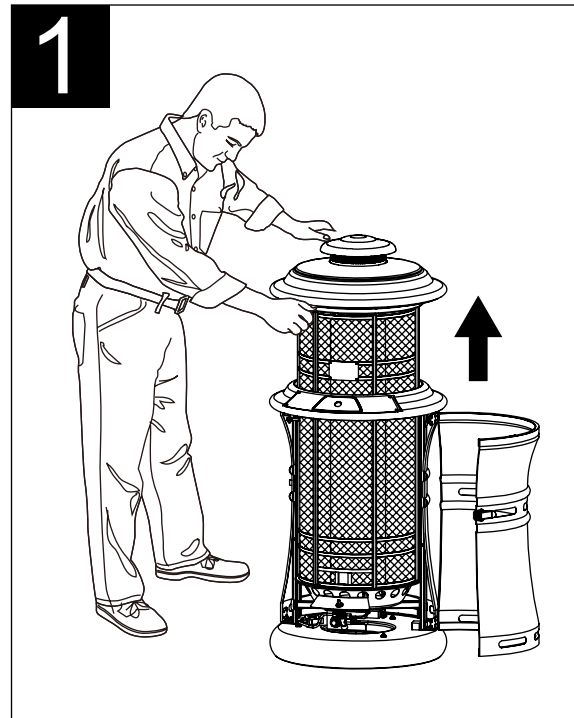
Address: 8/F, Noble Center, 1006 Fuzhong 3rd Road, Futian District, Shenzhen,GD 518026, CHINA

Phone: +86 - 755 - 88.26.76.76

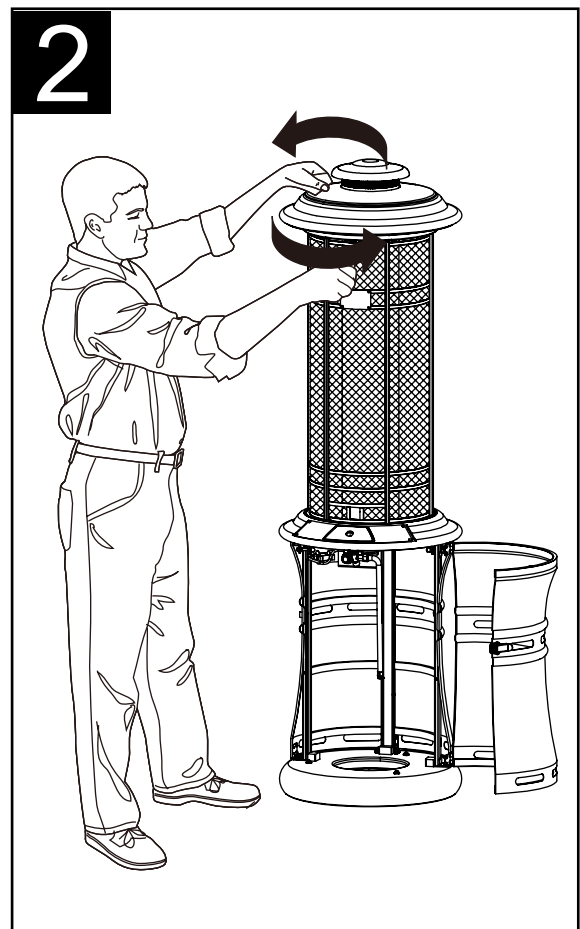
ASSEMBLY

Warning: This appliance requires installation by a competent person. Proper assembly is the responsibility of the installer.

Step 1: To assemble unit-partially open gas chamber door. Carefully lift dome until entire heat exchange tube is exposed.



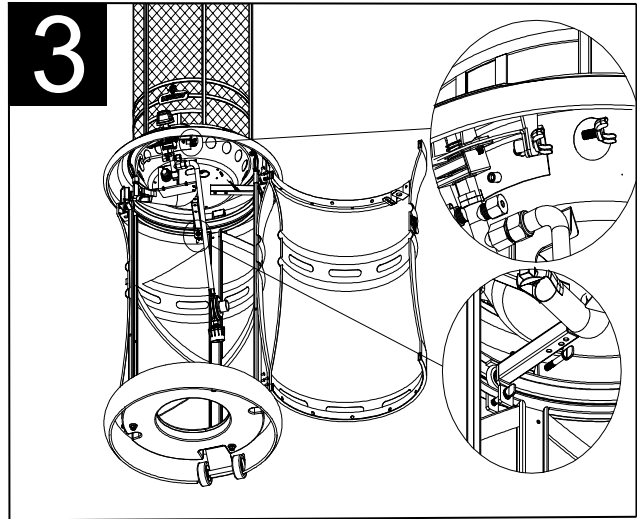
Step 2: After heat exchange tube is fully extended, rotate counter-clockwise until stopped.



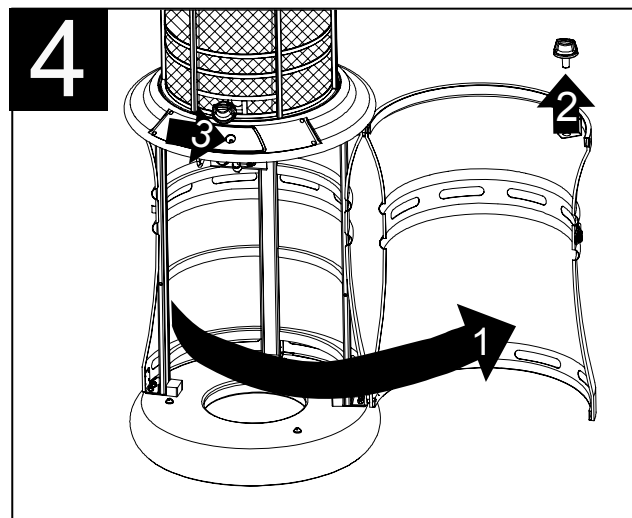
ASSEMBLY

Warning: This appliance requires installation by a competent person. Proper assembly is the responsibility of the installer.

Step 3: Locate the 2 holes to lock heat exchange tube in place. Insert the wing bolt in to the hole under the control panel and tighten. Insert the thumb screw into hole and tighten.



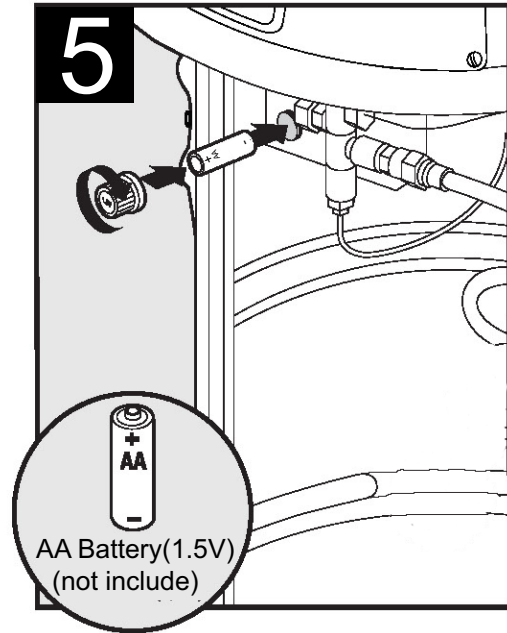
Step 4: Fully open gas chamber door. Remove knob from door and place on control stem.



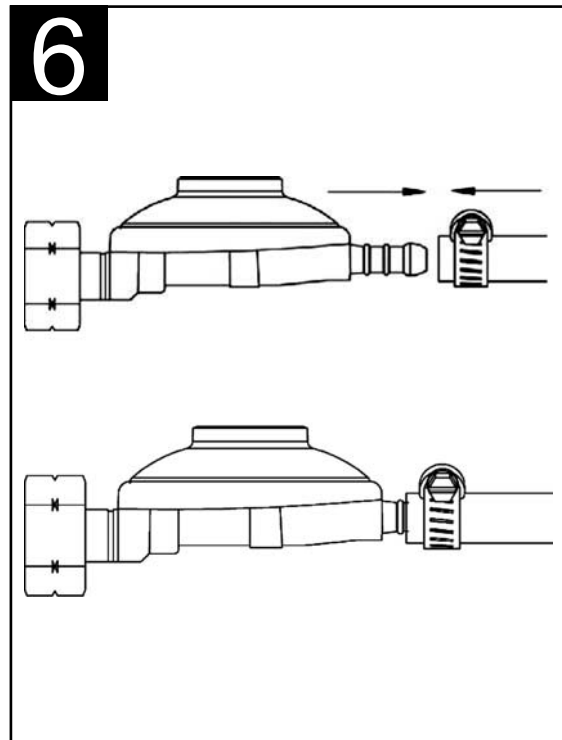
ASSEMBLY

Warning: This appliance requires installation by a competent person. Proper assembly is the responsibility of the installer.

Step 5: Place battery in compartment below control panel.



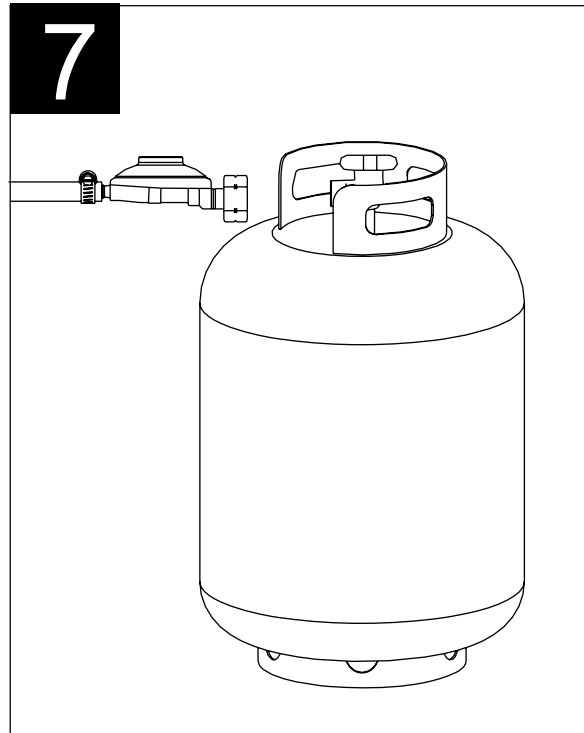
Step 6: Attach the gas hose to the regulator, use hose clip to tighten the gas hose.



ASSEMBLY

Warning: This appliance requires installation by a competent person. Proper assembly is the responsibility of the installer.

Step 7: To check that the regulator seal is correctly fitted and able to fulfill its function. Fit the LPG Cylinder into the chamber taking care not to damage the hose or gas system. Close gas chamber door. Use a LPG Cylinder that is at least 80% (4/5ths) full.



Step 8: Check for leaks

Your Outdoor Patio Heater has been checked for leaks at all the factory made connections. To check the connection of the gas hose/regulator/LPG cylinder.

- 1) Make leak test solution by mixing 1 part washing up liquid and 3 parts water.
- 2) Spoon several drops (or use squirt bottle) of the solution onto the gas hose/regulator and regulator/LPG cylinder connection.
- 3) Inspect the connections and look for bubbles.
- 4) If no bubbles appear, the connection is safe.
- 5) If bubbles appear, there is leak, loosen and re-tighten this connection.

MAINTENANCE

Check Your Hose Assembly:

The installation of this appliance shall only be carried out by competent persons and be in accordance with national rules in force.

Warning: Regularly check the gas hose and if necessary, replace the gas hose.

Prior to use, check for damaged parts such as hoses, regulators, pilot burner. Never replace or substitute the regulator with any regulator other than the factory suggested replacement.

Check Your Flame:

The flame pattern should be Visually Checked whenever appliance is operated.

Normally the burner flame is blue, but little yellow flame is acceptable.

For yellow tipping, floating or lift off, the appliance should be Turned OFF (.) immediately.

The appliance should not be operated again until the unit is serviced and or repaired.

Clean:

To enjoy years of outstanding performance from your heater make sure you perform the following maintenance activities on a regular basis:

- Keep exterior surfaces clean.
- Use warm soapy water for cleaning. Never use flammable or corrosive cleaning agents.
- While washing your unit, be sure to keep the area around the burner and pilot assembly dry at all times. If the gas control is exposed to water in any way, do NOT try to use it. It must be replaced.
- Air flow must not be obstructed. Keep controls, burner, and circulating air passageways clean. Signs of possible blockage include:
 - Gas odor with extreme yellow tipping of flame.
 - Appliance does NOT reach the desired temperature.
 - Appliance glow is excessively uneven.
 - Appliance makes popping noises.
 - Spiders and insects nest in burner or orifices. This dangerous condition can damage heater and render it unsafe for use. Clean burner holes by using a heavy-duty pipe cleaner. Compressed air may help clear away small particles.
- Carbon deposits may create a fire hazard. Clean heater dome with warm soapy water if any carbon deposits develop.

WARNING

FOR YOUR SAFETY:
DO NOT touch or move heater for at least 45 minutes after use. Allow all burner elements to cool before touching.

NOTE:

In a salt-air environment (such as near the sea) corrosion occurs more quickly than normal. Frequently check for corroded areas and repair them promptly.

OPERATION

WARNING: DO NOT attempt to operate appliance until you have read and understand all precautions.

Failure to do so can result in serious personal injury, death or property damage.

Before Turning Gas Supply ON

Your appliance was designed and approved for OUTDOOR USE ONLY. DO NOT use it inside a building, or any other enclosed area.

Make sure surrounding areas are free of combustible materials, gasoline and other flammable vapors or liquids.

Ensure that there is no obstruction to air ventilation.

Be sure all gas connections are tight and there are no leaks.

Be sure the access panel is clear of debris.

Be sure any component removed during assembly or servicing is replaced and fastened prior to starting.

Before Lighting

Appliance should be thoroughly inspected before each use and by a qualified service person at least annually.

If relighting a hot appliance, always wait at least 5 minutes.

Our appliance is tested for quality assurance.

Ignition attempts should succeed 8 out of 10 attempts.

Lighting

Before igniting the appliance, perform "Leakage Testing". At first use and after every LPG Gas cylinder replacement the appliance gas circuit must be purged of the air inside before igniting! To do this, turn the control knob counter-clockwise to the ignition position and push it holding for 2 minutes before attempting ignition.

- 1- Make sure that LPG Gas Cylinder, full to 4/5ths of its capacity, contains Butane, Propane or mix of them.
- 2- Make sure that burner control knob is in "OFF" position (full disk).
- 3- Turn knob counter-clockwise to "ignite". Hold knob down to activate "Igniter" until lit. (It is also possible to ignite the appliance using a long match, by approaching the burner through the ignition hole provided.)

If pilot does not light, turn knob clockwise to "off". Wait 5 minutes and repeat the procedure.

WARNING

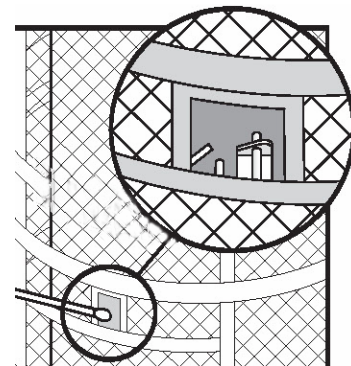
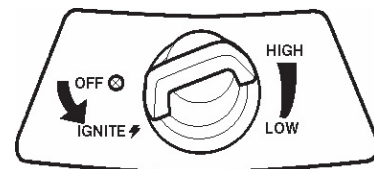
FOR YOUR SAFETY:

If at any time you are unable to light burner and smell gas, wait 5 minutes to allow gas to dissipate before attempting to re-light appliance. If, after 1 minute, you are unable to light burner, wait 5 minutes and allow flammable vapors to dissipate before attempting to light appliance again.

WARNING

FOR YOUR SAFETY:

DO NOT touch or move appliance for at least 45 minutes after use. Allow emitter and dome to cool before touching.



OPERATION

- 4- When the pilot is lit keep knob pressed for up to 20 seconds to heat the thermocouple flame sensor, then release it (first ignition generally takes more time, because the gas circuit is full of air).
- 5- If the burner does not stay lit, repeat steps 3 and 4.
- 6- Burner now is lit in pilot position; turn knob to "LOW "position.
- 7- Adjust the heat input by turning the knob from the "low "position, to the "HIGH" position, as required.
- 8- After lighting, turn knob from "LOW " to "HIGH", position and back, to check flame stability.
- 9- In case of accidental break down of the flame (due to wind or other reasons), a Flame Safely Device (FSD) will automatically shut-off gas supply within 90 seconds.

Note: The burner may be noisy when initially turned on.

To eliminate excessive noise from the burner, turn the control knob to the Minimum position.

Then, turn the knob to the level of heat desired.

If you experience any ignition problem consult the following "Troubleshooting".

These lighting instructions must be followed. An unsafe condition can occur if they are not followed correctly.

Note:

If flames extend beyond surface of the emitter grid, or flame lift, light back, or black soot accumulates on the emitter grid or reflector, the appliance should be turned off immediately. The appliance should not be operated again until the unit is serviced and or repaired.

If you experience any ignition problem, turn off the appliance and gas supply, and consult "Troubleshooting" on page 19.

OPERATION

CAUTION: Avoid inhaling fumes emitted from the appliance's first use. Smoke and odor from the burning of oils used in manufacturing will appear. Both smoke and odor will dissipate after approximately 30 minutes. The appliance should NOT produce thick black smoke.

Warning: White smoke may appear around the radiant head during the first minutes of the initial firing.

Operation Pressure Check

If the flame is very small, this is because the gas supply pressure is not enough.

RELIGHT

- 1) Turn the knob to OFF position.
- 2) Wait five (5) minutes before attempting to relight pilot.
- 3) Repeat steps beginning with step 2 above.

Before Leaving

- 1) Turn the knob to OFF position and turn LPG cylinder to OFF position.
- 2) Never leave the appliance unattended while in use.

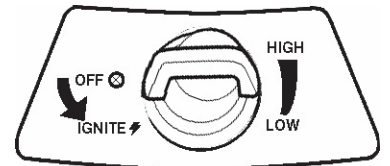
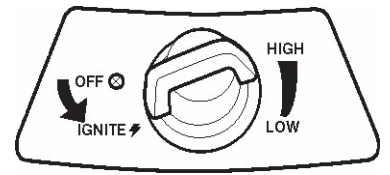
SHUT DOWN INSTRUCTIONS

- 1) Push in and turn knob clockwise to OFF position.
- 2) Turn LPG cylinder valve clockwise to OFF position when appliance is not in use.

The Event of Gas Leakage

- 1) Turn the control knob to OFF position (full disk).
- 2) Turn LPG cylinder to OFF position.
- 3) Wait 5 minutes to allow gas to dissipate.
- 4) If odor continues, immediately call gas supplier.

WARNING: Appliance will be hot after use. Handle with extreme care.



LOCATING APPLIANCE FOR USE

BE CAREFUL: WHEN MATERIALS OR ITEMS ARE LEFT UNDER THIS SPACE HEATER, THEY WILL BE SUBJECT TO RADIANT HEAT AND COULD BE SERIOUSLY DAMAGED.

The appliance is primarily used for the heating of outdoor patios, decks, spas, pools and working areas.

The installation must conform to the National Rules of the country of destination or in the absence of local National Rules of the country of destination with the standard for the storage and handling of liquid petroleum gases.

The appliance must be placed on level, firm ground.

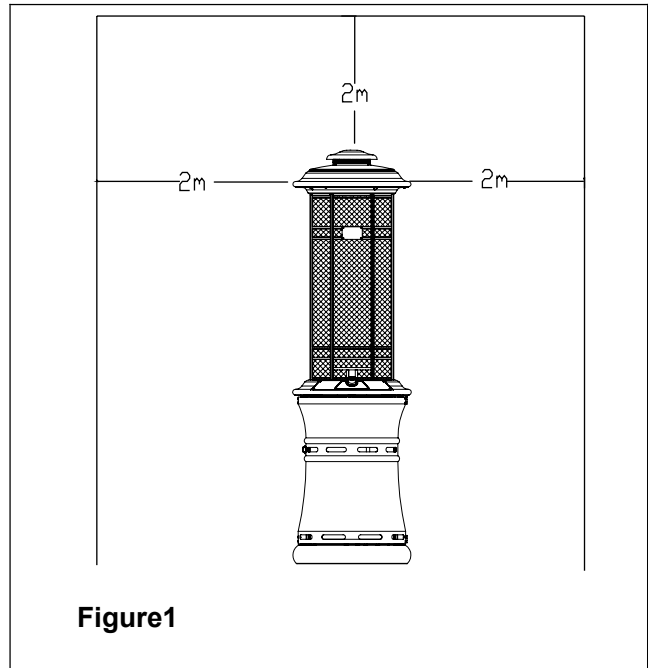
Never operate in an explosive atmosphere.
Keep away from areas where gasoline or other flammable liquids or vapors are stored or used.

Temperatures of adjoining areas, walls and surfaces

Be Careful:

Always make sure that adequate fresh air ventilation is provided.

The distance of the appliance to other materials, walls and surfaces must always be at least 2 m from the top and also 2 m from the sides as shown in Figure 1.



STORAGE

STORAGE:

Between uses:

- Turn the control knob to OFF position.
- Turn LPG cylinder to OFF position.
- Store appliance upright in an area sheltered from direct contact with inclement weather (such as rain, sleet, hail, snow, dust and debris).
- If desired, cover appliance to protect exterior surfaces and to help prevent debris in air passages.

During periods of extended inactivity or when transporting;

- Turn the control knob to OFF position (full disk).
- Disconnect LPG Cylinder and move to a secure, well-ventilated location outdoors. DO NOT store in a location that will exceed 50 °C.
- The LPG cylinder must be kept out of reach of children, and not in a building, garage or any other enclosed area.
- Remove safety screws. Remove knob from control panel and store in door.
- Keep gas chamber door partially open. Turn heat exchange tube clockwise.
- Slowly descend heat exchange tube.
- Store appliance upright in an area sheltered from direct contact with inclement weather (such as rain, sleet, hail, snow, dust and debris).
- If desired, cover appliance to protect exterior surfaces and to help prevent debris in air passages.

NOTE

Wait until appliance is cool before covering.

TROUBLESHOOTING

PROBLEM	PROBABLE CAUSE	SOLUTION
Pilot will not light	Electrode and pilot wet	Wait until dry
	Wire is loose or disconnected	Refit wire
	Air in pilot line	Depress control knob in without turning and hold for 30 seconds. Release and wait 5 minutes then proceed to light again
	No gas flow	Check if LPG tank is empty
	Dead battery	Replace 1.5V battery
Burner will not light	Blocked ventilator in tank compartment	Clear blockages
	No gas flow	Check if LPG tank is empty
Thick black smoke	Blockage in burner	Remove blockage and clean burner inside and outside

WARRANTY

The legislation in force guarantee applies to this equipment.
Claims must be notified immediately after their discovery.

The right to a warranty claim expires upon any intervention of the purchaser or third parties.
Damage caused by bad treatment or operation, incorrect installation, connection or bad storage, as well as cases of force majeure or external influences are not covered under the terms of the warranty. This manual contains important information and must be read carefully.

The purchaser must prove the right to claim the guarantee by presentation of a purchase receipt/invoice.

Note:

1. If your device does not work correctly, first check whether any other reasons may be the cause, such as interruption of the gas supply or mishandling.
2. Note that the following documents and details need to be submitted together with the faulty appliance.

- Purchase Receipt
- Description of Model / Type / Brand
- Description of issues indicating the damage as accurately as possible.

In the case of a warranty claim or defects, contact the place of purchase in person.