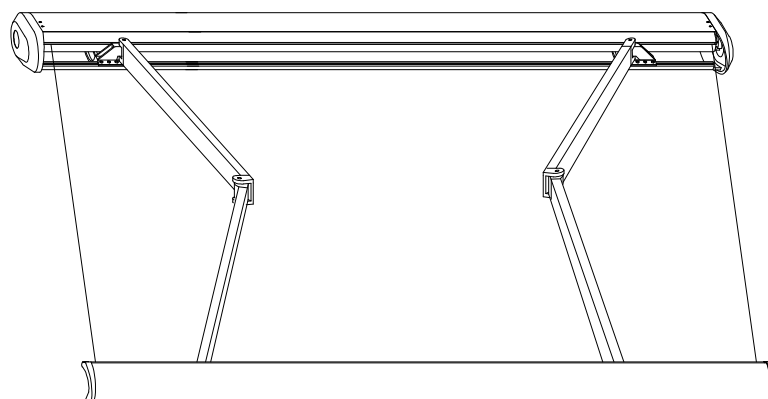


Motorized Cassette Awning

USERS' MANUAL



RoHS

Index

I.	Brief Introduction.....	2
II.	Attentions.....	3
III.	Description of E6100 Motorized Cassette Awning.....	4
IV.	Installation Steps of E6100 Motorized Cassette Awning.....	5-11
V.	Limited Adjustment of Motor.....	12
VI.	Remote control Instruction	13
VII.	Motor Instruction.....	14-16
VIII.	Repair Manual for Usual Malfunction.....	17

Dear Customer,

We highly appreciate you for purchasing our Model E6100 Motorized Cassette Awning. For your safety and better use of the awning, please read the users' manual thoroughly before installation and operation.

Thank you.

BRIEF INTRODUCTION

These instructions are applicable to the item:
Model E6100 Motorized Cassette Awning

Model E6100 Motorized Cassette Awning is a fashionable economic outdoor shading product. It is ultimate in stylish shade for large patios, pool sides and terraces without unsightly posts or beam.

The fabric on your awning has superior quality with an all weather UV treatment. This treatment is waterproof and will protect the fabric for several years.

When retracted, the fabric and mechanism are protected from the elements by the cassette housing.

The screen can be stored completely inside the cassette thus effectively protect screen and components, extending use-life of the awning.

Angle of spreaded screen can be adjusted expediently after the awning is fully opened.

Spreading length of screen can also be controlled by adjusting stop place of motor.

Main components are made of alloy profiled aluminum, die-casting aluminum and ABS plastic.

Our awnings require little maintenance. Keep the frame clean by wiping with damp cloth soaked in a warm mild detergent solution. Polish off with a second damp cloth that has been soaked in clean warm water. The cover may be rinsed with a cool mild detergent solution and rinsed with clean cold water.

Model E6100 Motorized Cassette Awning is of rational and cultured structure, styled appearance. It is the ideal and excellent shading product for modern stores, buildings as well as family houses.

ATTENTIONS

1. Please call the professionals to install the model E6100 Motorized Cassette Awning.
2. This awning unit is heavy; do not attempt to lift this unit onto the wall brackets without assistance from a second person.
3. The screen should not be used in a flabby state or else it will affect the appearance and security.
4. The awning cover is waterproof and can be left open during light rainy conditions but always ensure the cover is kept tight by turning the handle clockwise a little after initially opening the awning to prevent any water building up on top of the awning cover.
5. Replacement covers are available for purchase by calling the wholesaler or our agency. Ensure you have your awning measurements before making the call.
6. Awnings must not be left open during windy conditions or heavy rain. When the wind force is over 4 degrees, please close the awning. If there is a heavy rain or snow, the awning is forbidden to use.
7. To keep your awning cover in tip top condition, always close your awning after use as this will prevent dust and dirt collecting on the cover and will ensure your awning will last for many more years.
8. The customer must not disassemble the body of the awning, especially the arms. When having problems, you may turn to the professionals. Otherwise, people could be injured.
9. It is better to install the Receiver indoor, protecting from the rain drops and sunshine.
10. All the bolts must be screwed down.
11. The most ideal state of the tubular motor is pre-set at the factory and should not require any major adjustment in the process of using.
12. If you want to change the distance of expanding, please use the adjusting sticks to adjust the motor, “-” for increasing distance, “+” for decreasing the distance.
13. After use, always store the remote control in a dry and safe place.
14. Do not allow children to play with this awning.

Description of Model E6100 Motorized Cassette Awning

Motorized Cassette Awning, with modern and elegant stylish design of fully enclosed cassette, provides good sun protection from blazing sunshine and ultraviolet radiation; it also helps to prevent your valuable furnishings from fading and helps stabilizing the internal temperature of your home.

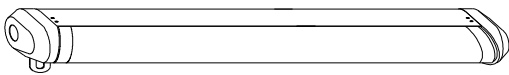
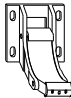


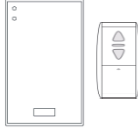

The main technical parameter:

1. Size: 6x3m (Max) 2x1.5m(min)
(Notes: 6m×3m means the width is 6 meters, projection is 3 meters.)
2. Power supply: 210~250VAC, 50/60Hz
3. Frequency: 230~300W (differs from the awning model)
- 4.

Units	Safeguard exponential
awning	IP55
receiver and emitter	IP30 (if installed indoors)

5. Emitter frequency: 433.92MHz
6. Controlling area: 30 meters (without barriers)
7. Emitter's batteries: 12V Li, CR23A

ITEMS IN PACKING

PARTS LIST	ILLUSTRATION
AWNING UNIT	
METAL WALL BRACKETS	
METAL WALL BOLTS	
MOTOR ADJUSTOR	
REMOTE CONTROL SYSTEM	
WINDING HANDLE	



This Instruction book is applicable for different sizes.

Width 2.0m x Length 1.5m (Min Size)

.....

Width 6.0m x Length 3.0m (Max Size)

You have free selection in the range of these sizes.

TOOLS REQUIRED

- Hammer Action Drill
- 14mm Masonry Drill Bit
- Chalk or Pencil
- Spirit Level
- Socket tool set in millimeters
- Adjustable Spanner (not essential, but is helpful during fitting)

WARNING

This awning is heavy. Two people are required to lift the awning into position once the brackets are fitted to the wall.

DO NOT attempt to lift the awning unit into position without assistance as dropping the unit is likely to cause serious damage to the product and could result in serious injury.

DO NOT allow children or pets to play in the working area during assembly and fitting.

Keep the emitter out of children's reach at all times after the awning unit is fitted.

Ensure your hands are kept clean during fitting; this will prevent the awning fabric and frame becoming dirty.

The awning frame is supplied with a clear plastic wrapping. This should be removed after fitting.

Plastic bags used in the packing of this product can be dangerous to children and babies. Keep out of the reach of babies and children to avoid risks of suffocation.

BEFORE ASSEMBLY

Check that all the parts shown on the attached parts list are contained within the box. If any parts are found to be damaged or missing, please telephone our customer service hotline and leave you name, number and details of the parts that are missing or damaged and we will get back to you without delay.

STEP 1

Carefully remove awning from the carton box and take off the polystyrene.

Remove plastic bag from the awning and place the awning set flatwise, ensuring the unit will not become scratched, damaged or dusty.

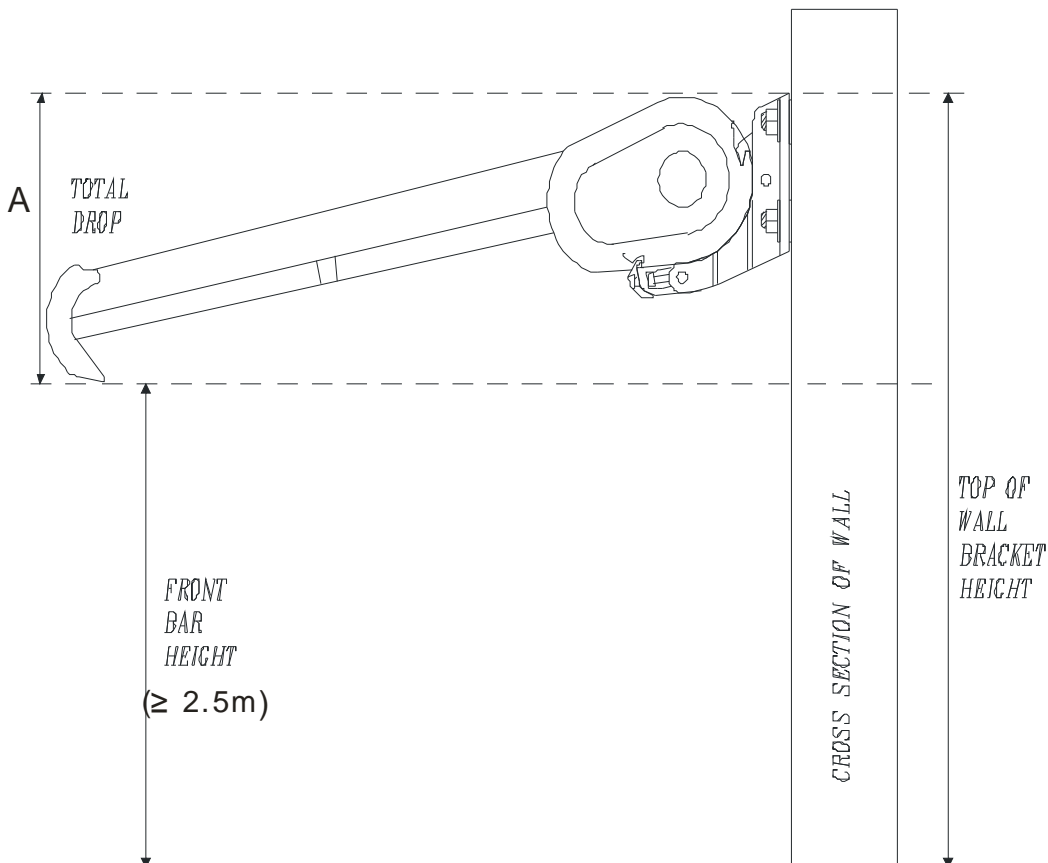
Decide the height you intend to install the awning onto the wall. If fitting above a patio door, this should ideally be at least 20cm above, if there is sufficient space.

The approximate total drop of the awning differs from the top height.

Height of the Top	2.5m □ 4m	4.5 □ 6m
A (Total Drop)	30cm	50cm

The angle of drop can be slightly adjusted after fitting, but the most ideal angle is pre-set at the factory and should not require any major adjustment in the process of using.

The diagram on the right shows the drop of the awning after the awning has been fully opened.



STEP 2

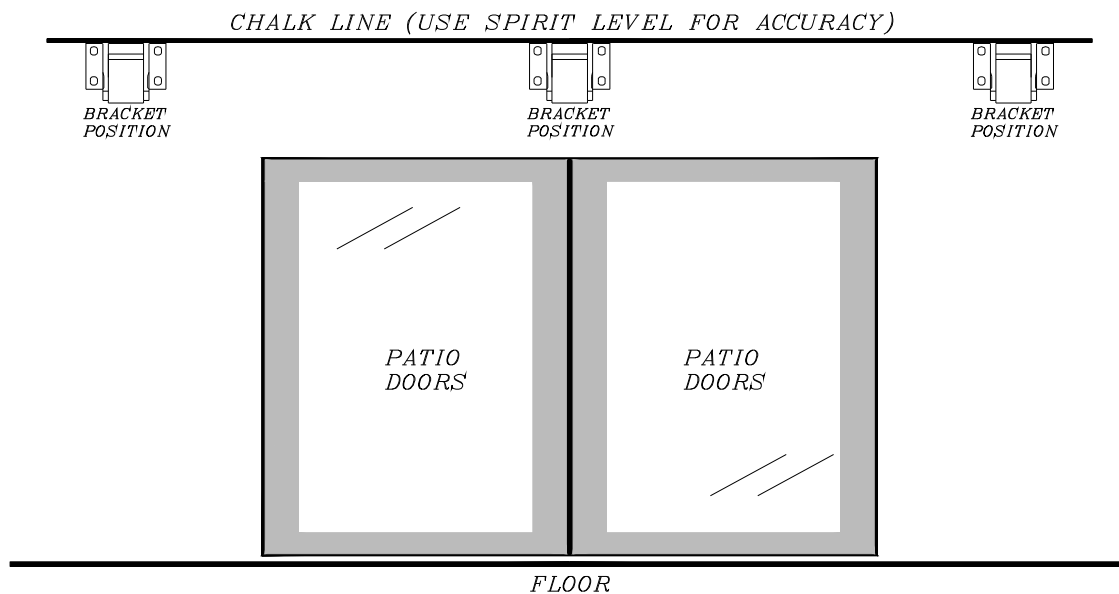
The brackets position has been marked on the awning set at factory.

Measure the awning width by a ruler and notes the bracket position.

Draw a horizontal line in the position of required height as shown in the diagram, by using a long ruler, spirit level and chalk.

Make marks onto the wall, through the holes at the base of bracket.
The quantity of the wall brackets is based on the awning width.

Awning Width	≤3.3m	3.3m-4.5m	5.5m-6.0m
Brackets	2pcs	3pcs	4pcs



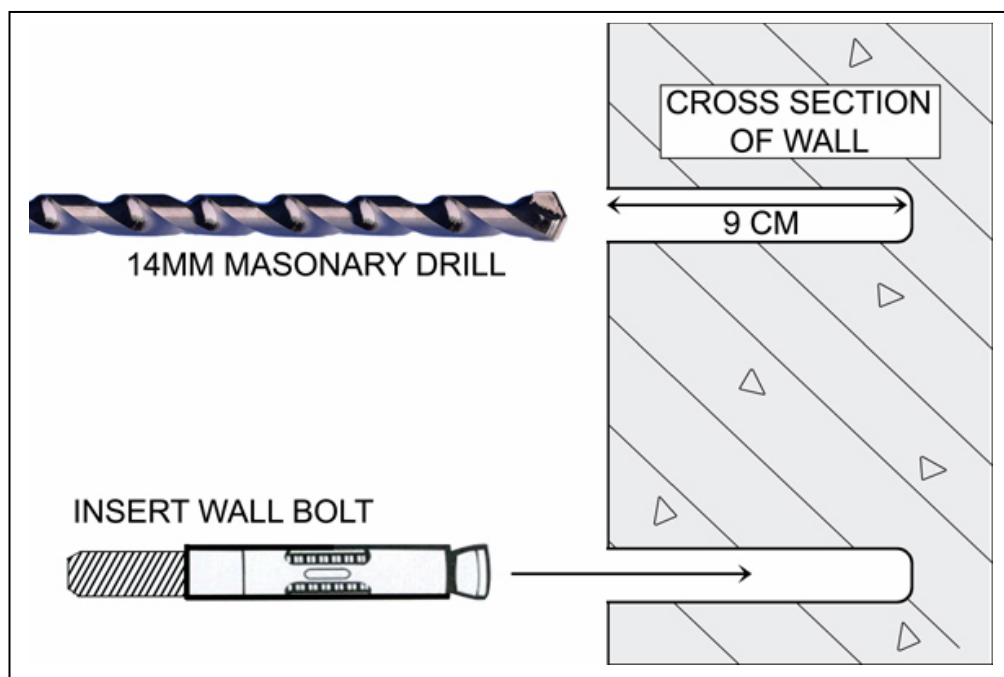
STEP 3

Using a hammer and a 14mm Masonry Drill Bit, drill the holes into the wall on the marks for brackets.

The holes should be drilled 9 cm into the wall, ensuring that the hole goes through solid brick or concrete. Do not drill through mortar as this will not provide satisfactory strength to hold the wall bolts.

USEFUL TIP

To ensure the depth of the hole is accurate, measure 9cm from the end of the Drill Bit with a ruler and wrap some tape around the Drill Bit in this position. When the tape marker is level with the wall, you have reached the correct depth.



INSTALLATION ONTO WOODEN HOUSES AND CHALETS

This awning can be fitted onto wooden walls and Chalets providing that the wall has adequate strength to support the weight of the awning. Always ensure that the wall Brackets are securely fitted onto the outside of strong wooden wall studs. The wall bolts provided in the fitting kit will not be suitable for securing to wooden studs; therefore you will need to purchase Coach Bolts of sufficient length and diameter from your local hardware store to replace the wall bolts provided.

STEP 4

After inserting the Wall Bolts, slide the washers over the bolt heads followed by the Wall Bracket. Slide the remaining Bolt Washers over the Bolt heads and tighten securely the 17mm Nuts.

NOTE

It might be necessary to tap the Wall Bolts into position with a wooden faced mallet as the fit might be fairly tight. Avoid using a metal faced hammer as this might damage the threads on the top of the bolt shaft.

If the bolts require tapping into the wall with a mallet, it is recommended the Nut be loosely screwed on top of the bolt first (almost flush with the end of the bolt shaft) as this will further prevent damage to the threads on the bolt shaft during insertion.

Tighten the Wall Bolt Nuts securely with a 17mm Hexagonal Spanner. It is better to use a closed ended spanner rather than an open ended spanner to avoid spanner -slip damage to the Nut.

When bolted into position, the brackets should be tight against the wall. If any movement is detected, further tighten the nuts.

DO NOT ATTEMPT TO FIT THE WALL BRACKETS TO LOOSE BRICKS OR SURFACES THAT ARE NOT OF SOUND CONSTRUCTION.

ENSURE THE WALL BRACKETS ARE WELL BOLTED TO THE WALL TO PREVENT THE BRACKETS FROM FALLING AWAY FROM THE WALL WHEN THE AWNING IS FITTED.

STEP 5

Your Awning is now ready to be secured to the Wall Brackets.

With at least 2 people, carefully lift both ends of the awning unit until the Torsion Bar slides into the Wall brackets.

Remove the restraint straps from around the awning unit if not already done so.

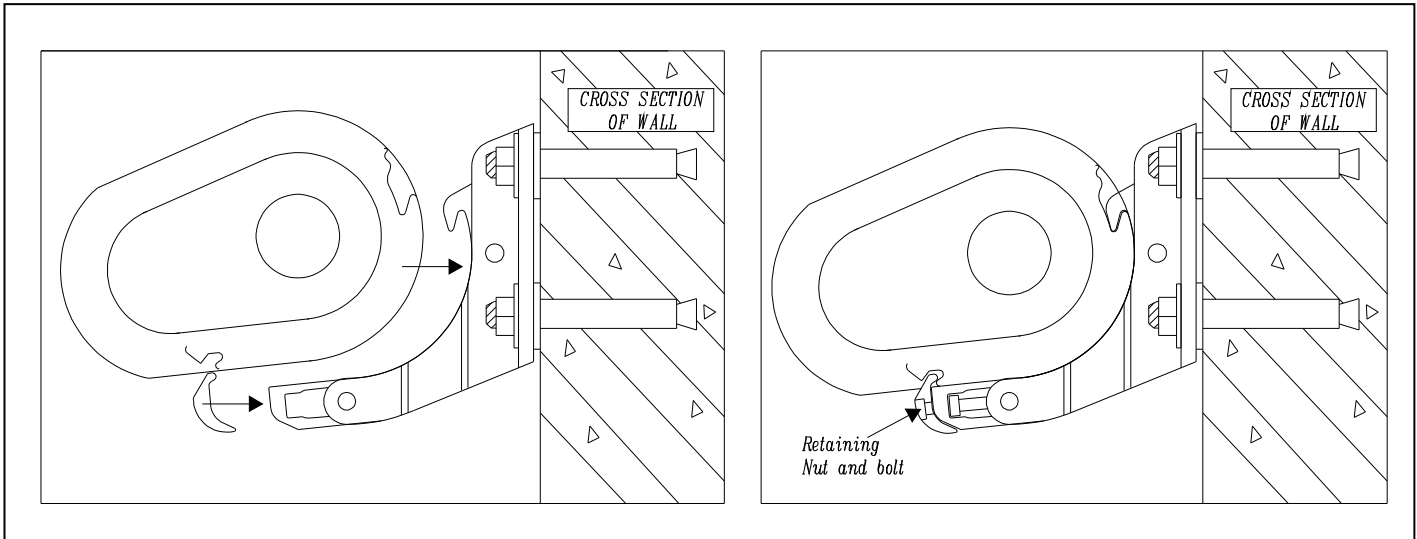
The awning should be fixed as the following diagrams.

NOTES

It will be necessary to use 2 sets of ladders or step stools to lift the awning unit to the required height.

Ensure the steps or ladders are safely positioned and well secured to avoid slipping or injury.

Always use ladders or steps of the appropriate rating for the job.



WARNING

This Awning unit is heavy; do not attempt to lift this unit onto the wall brackets without assistance from a second person.

STEP 6

Remove the restraint straps from around the awning unit if not already done so.

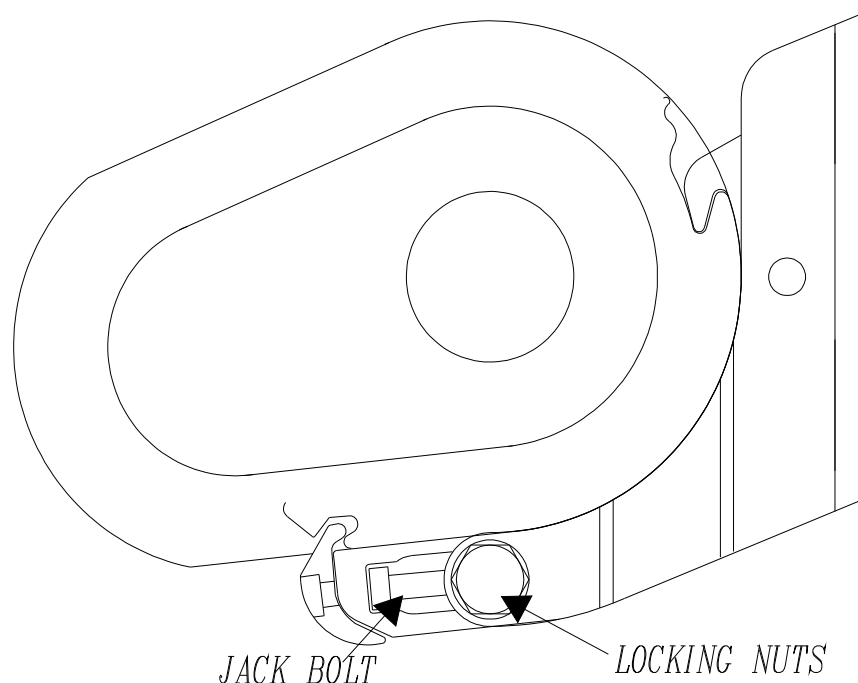
Open the awning (by pressing the “UP” (□) button on Remote Control) until the arms are at their maximum extension. Retract back a little to keep the fabric cover tight.

STEP 7 ADJUSTMENT OF TILT ANGLE

The awning is supplied with the most ideal pre-set angle of tilt. The angle can however be adjusted by loosening the 4 x 17mm locking nuts on the sides of the arms and then turning with a spanner the 2 x 13mm Jack Bolts to the desired angle.

To ensure both sides are perfectly level, there is a built in spirit level on the front bar of the awning and the air bubble should be located exactly in the middle of the level. Once adjusted, securely tighten up the 17mm Locking Nuts.

DO NOT operate this awning unless the arms are perfectly level as this will cause premature damage to the frame and arms.



Push the plastic bolt caps on top of the bolt heads to protect the bolts from weather corrosion. Your awning is now ready for use.

After use, always remove the emitter from the unit and store in a dry safe place.

DO NOT ALLOW CHILDREN TO PLAY WITH THIS AWNING

Limited Adjustment of Motor

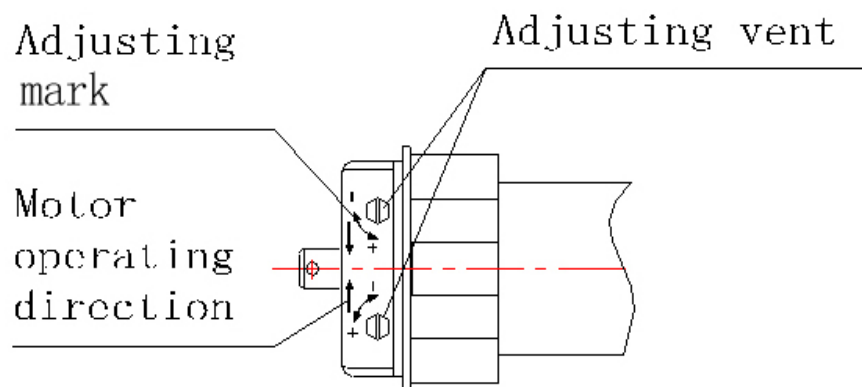
The most ideal state of the tubular motor is pre-set at the factory and should not require any major adjustment in the process of using.

In case of the following conditions, the motor needs limited adjustment.

1. The awning can not close completely
2. The cover is loosen
3. The motor is still working, while the awning is completely closed.

Useful Tips: If you want to change the distance of projection, please use the motor adjustor to adjust the motor, “-” for increasing distance, “+” for decreasing the distance.

Tool: Motor adjustor



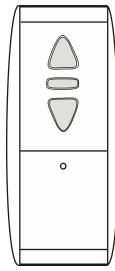
Notes

1. If the motor does not work after several times of adjustment, please wait 30 minutes to restart.
2. The motor must not be over loaded and over frequently used, so as to prolong the life time of it.
3. The motor should be kept away from water, during delivery, storage or working.

Receiver built in the motor

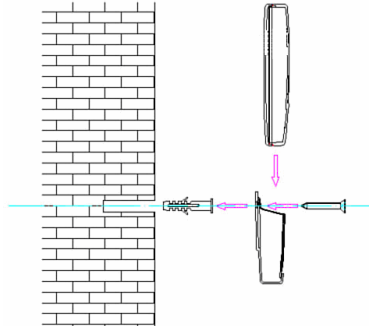
So don't need to do any adjustment or program to the receiver when you installing the awning.

Remote control Instructions



1. Installation Instructions

Remote bracket can install in any vertical plane



2. Application Instructions

● Characteristics of emitter

1. Power supply: 12V Li-battery, model CR23A
2. Protecting rank: IP 20
3. Working temperature: -20°C to $+55^{\circ}\text{C}$
4. The emitter stops automatically after transmitting the same command for 8 seconds.

● Operation Instructions

1. Press the button UP (↑) on the emitter, the awning expands; Press the button Down (↓), the awning closes; Press the middle button STOP, the awning then stops its action.
2. To recognize through receiver: Shut off the power of receiver, press both button UP (↑) and DOWN (↓) on the emitter, then turn on the power of receiver, the receiver will make “du..du..du..du” continuous sound, till it make a long beep. Loose the button. The address information of the emitter will be then stored in the receiver and in the meantime the emitter will end its program setting mode automatically (If the address of emitter in the receiver over 10, it beeps 6 times, which indicates that the emitter can not be recognized any more)

Security Instructions

- This device should be used in a dry condition.
- Original components should be applied.
- Special regulation of different countries should be followed.
- Keep children away from the equipment.
- Same type of batteries should be used (CR 23A).
- Used batteries should be dealt properly.
- Make sure you can see the running state of each equipment in the process of operating, If you want to operate on multi controlled units at the same time
- The risk of being interfered by remote communication or terminal unit during operating exists (e.g. probably interfered by other remote device using the same frequency).
- Avoid using this remote device in highly interferential situations.
- Replace the batteries in time when the control distance decreases evidently or the controller become insensitive.

Installation Instruction

for TM –M Series Tubular Motor

(Receiver built in the motor)



EN60335-2-97

BRIEF INTRODUCTION

Welcome to use our tubular motor! Adapting the newest tubular motor technology, our motor has advantages of easy installation, low noise, small in size etc., its inside consists of tubular single-phase asynchronous motor, decelerating machine, end run etc. It can be equipped with different controlling systems and is widely used in motorized shade screens, retractable awnings, garage doors, rolling windows and doors, fire-proof screens and teaching-purposed projection screens etc.

1. **NOTE**
 - a) Please read the instruction carefully before installation.
 - b) Assure that all accessories have been fixed so that the motor works without any mechanical problem. The loading weight should be matched with the output power of the motor.
 - c) Electrical connection must be done by professional technicians to operate in conformity with the rules.
2. **MAIN TECHNICAL DATA**
 - a) Adapting condition: temperature of surroundings: $-10^{\circ}\text{C} \sim +40^{\circ}\text{C}$; Humidity must Not over 90%;
 - b) Power supply: 230V/50HZ
 - c) Type: See Diagram (1)
 - d) Structure: See Diagram (2)

Diagram (1)

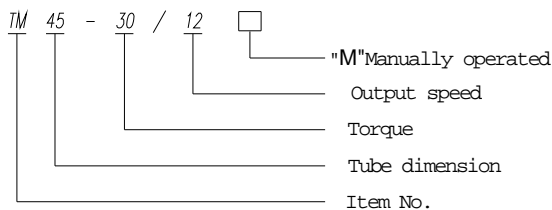
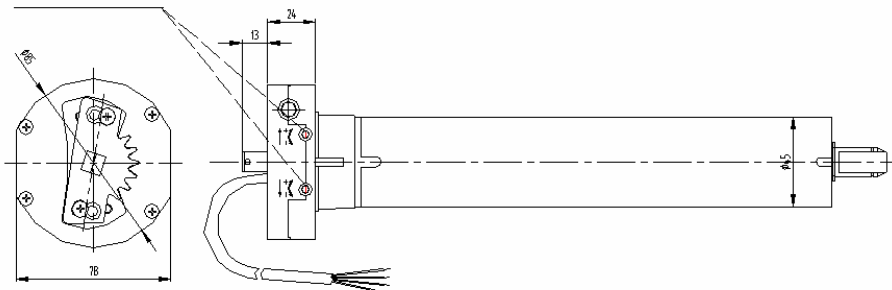


Diagram (2)

e). Technical Data

Adjusting vent

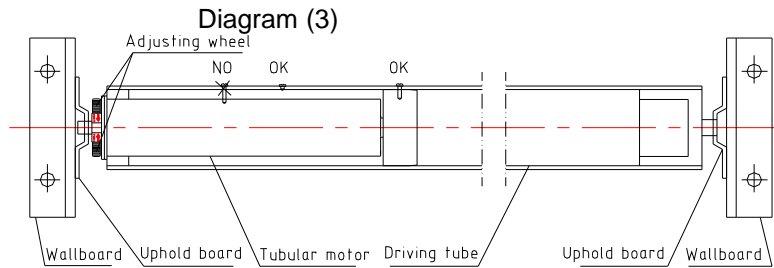


TM45-10/12M □ TM45-20/12M □ TM45-30/12M □ TM45-40/12M □ TM45-50/12M □
 TM45-10/17M □ TM45-20/17M □ TM45-30/17M □ TM45-35/17M

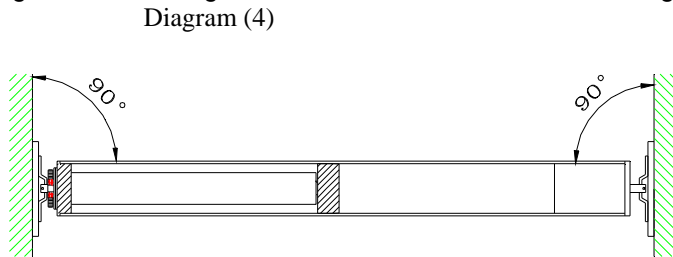
3. STALLATION INSTRUCTION

Type	Current □A□	Power □W□	Speed □rpm□	Torque □Nm□	Working time □min□	Drive tube diameter □mm□	Lifting weight □Kg□
TM45-10/17M	0.65	150	17	10	4	φ60	25
TM45-20/17M	0.9	230	17	20	4	φ60	50
TM45-30/17M	1.15	290	17	30	4	φ60	75
TM45-35/17M	1.15	290	17	35	4	φ60	85
TM45-10/12M	0.65	150	12	10	4	φ60	25
TM45-20/12M	0.8	190	12	20	4	φ60	50
TM45-30/12M	0.9	230	12	30	4	φ60	75
TM45-40/12M	1.05	260	12	40	4	φ60	90
TM45-50/12M	1.15	290	12	50	4	φ60	110

- a) Install the tubular motor either right side or left side as you like.
- b) Insert the motor in driving tube (space between diameter of driving axis and driving adaptor must not over 1mm), fix the end of driving adaptor by 4-ST3.5*15 screws; fix the crown and driving tube by 3-ST3.5*15 screws, frontal end of screw must not exceed the inner surface of crown, otherwise the inner teeth circle will be damaged. See Diagram

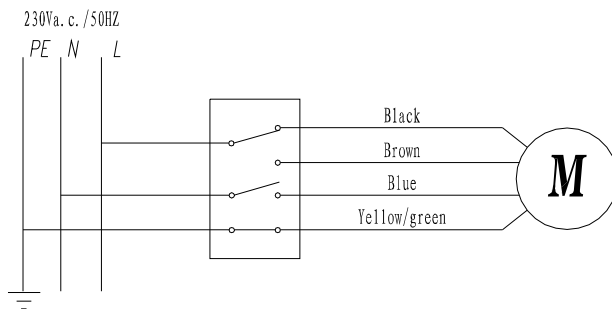


- c) Keep both ends of driving tube and motor be perfectly horizontal with the wall, keep both sides of shutter be orthogonal with driving tube When install the motor. See Diagram (4)



4 □ Instruction of electrical connection . See Diagram (5)

Diagram (5)



Clockwise driving adaptor will move if attach the blue and black wires to power supply, counter-clockwise driving adaptor will move if attach the blue wire and brown wire to power supply.

(Direction identification: to see in an angle from end of motor limit adjustment to end of output driving adaptor, same methods applied to the following instruction)

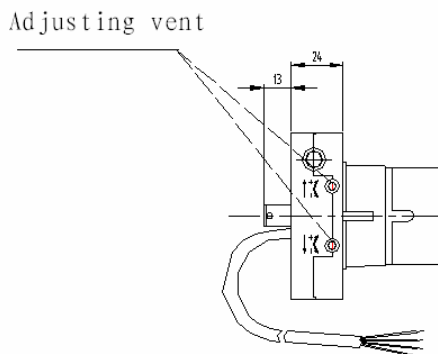
5 □ Limit adjustment

Hereinafter adjustment methods are suitable for **TM45-10/12M**□**TM45-20/12M**□**TM45-30/12M**□**TM45-50/12M**□**TM45-40/12M**□**TM45-10/17M**□**TM45-20/17M**□**TM45-30/17M**□**TM45-35/17M**□ tubular motors.

1) Confirm the adjustment vent you are adjusting according to the motor operating direction, “+” for distance increase, “-” for distance decrease.

2) Do again as step one. See diagram (6)

Diagram (6)



Caution□1. Please use professional adjusting stick while adjusting the end run□

2. After installation of tubular motor and before connecting the tube with shutter (or awning), operate motor in the down direction until it stops, install the shutters and operate the motor in up direction, adjust the end run as procedures showed above.

6□Tips

1. In the inner part of tubular motor is winding thermostat, if motor doesn't work after several times of adjustment, please wait 30 minutes to refresh the start.
2. Must be dependable to connect the ground after the tubular motor is installed.
3. Must not be over loaded and over frequently used so as not to decrease the life span of tubular motor.
4. Before the tubular motor revolves, please do not regulate the adjusting wheel and crown manually.
5. Tubular motor at delivery, storage and work is not allowed to touch water directly.

7. Quality Guarantee

3 years.

8. Enclosures

1. A manual.
2. An adjusting stick.

REPAIR MANUAL FOR USUAL MALFUNCTION

NO	PHENOMENA OF MALFUNCTION	REASON	REPAIR METHOD
1	The Sunshade does not work when operated by remote controller.	<input type="checkbox"/> No power supply. <input type="checkbox"/> The residual current automatic circuit breaker is at "off" position. <input type="checkbox"/> The voltage is too low.	<input type="checkbox"/> Check the plug to see whether it is properly connected. <input type="checkbox"/> Call on the professionals to inspect. <input type="checkbox"/> Call on the professionals to inspect the voltage whether it accords with the requests.
2	When operated by remote controller, the sunshade does not work although the received signal from remote receiver can be heard.	<input type="checkbox"/> Remote receiver and motor is disconnected or wire from motor disconnected with pin. <input type="checkbox"/> The motor is under overheat protection state.	<input type="checkbox"/> Check the two place, fasten pins and screws. <input type="checkbox"/> The motor will automatically resume operation after approximately 20 minutes interval.
3	Screen is lax though the sunshade is spreaded entirely.	Path length incorrectly fixed.	Readjust path length according to the direction of the motor.
4	The cassette can not close completely.	Connecting position between front arm and front beam moved.	Adjust position of the front beam (front beam adjusting sketch) till the cassette entirely shuttered.
5	Unwanted noise when operating.	Screw loosened.	Check all screws come into view and fasten the loosened.
6	When operated by remote controller, the indicative light does not word and no signal from receiver.	<input type="checkbox"/> Cell exhausted <input type="checkbox"/> Cell disconnected	<input type="checkbox"/> Change a new cell. <input type="checkbox"/> Reset the call.